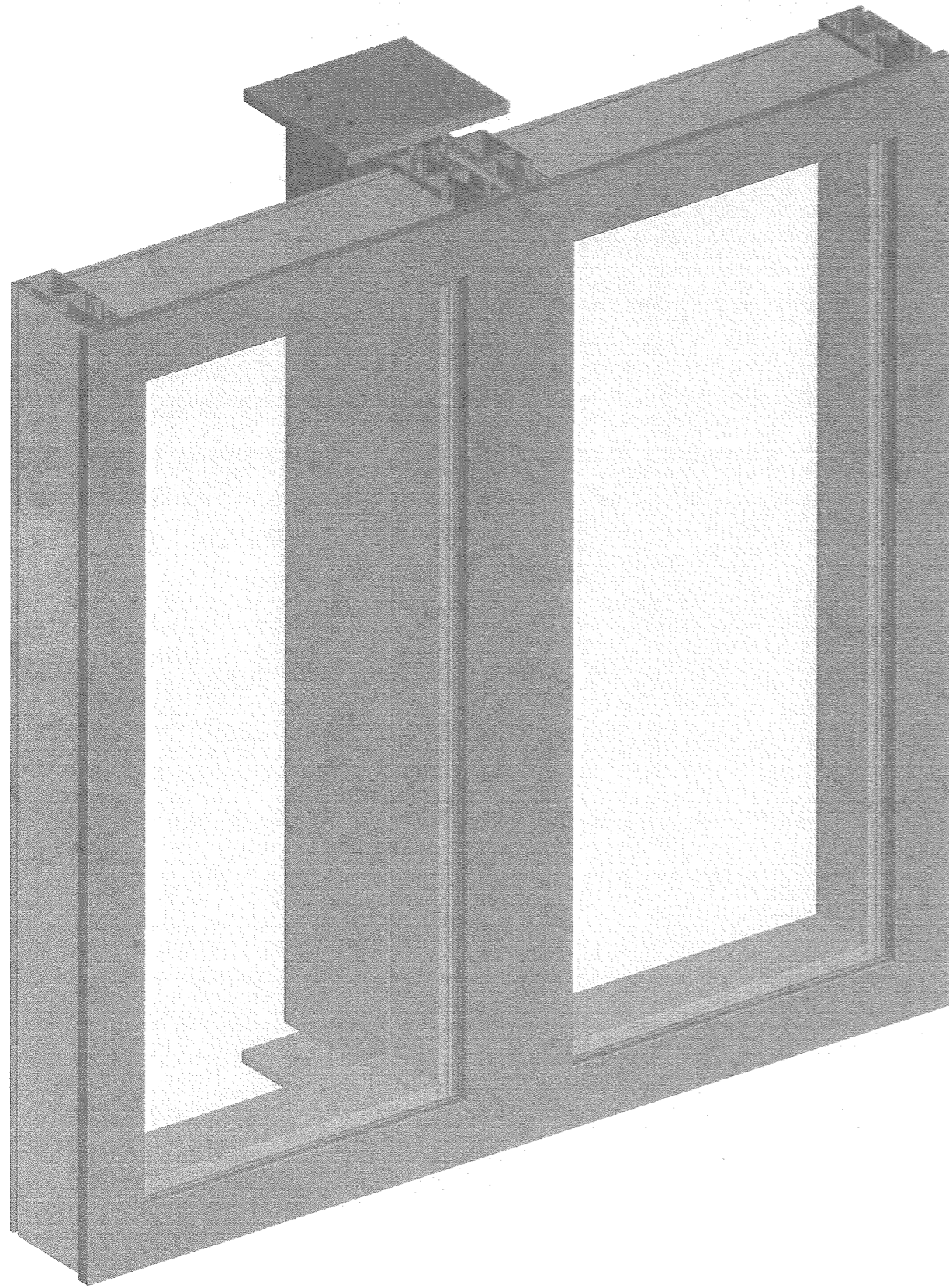


LA FINESTRA LC

PREGLAZED WINDOW WALL WITH UNITIZED OPTION

LARGE AND SMALL MISSILE IMPACT RESISTANT

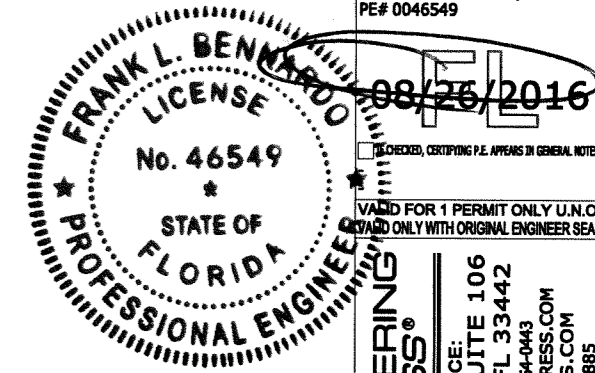


GENERAL NOTES:

- 1- THIS SYSTEM DESCRIBED HEREIN HAS BEEN DESIGNED AND TESTED IN ACCORDANCE WITH ALL APPLICABLE REQUIREMENTS OF THE FLORIDA BUILDING CODE FIFTH EDITION (2014) PER
 - a. AASTM E330-14, E331-00, E283-04, E1886-13A, E1996-14
 - b. TAS 201 / 202 / 203
 - c. AAMA 101-97, AAMA 501
 FOR USE WITHIN AND OUTSIDE THE HIGH VELOCITY HURRICANE ZONE (HVHZ). AS QUALIFIED IN TEST REPORTS.
- 2- DESIGN PRESSURES NOTED HEREIN ARE BASED ON MAXIMUM TESTED PRESSURES DIVIDED BY A 1.5 SAFETY FACTOR.
- 3- UNITS GLAZED WITH 9/16" LAMINATED GLASS OR 1-5/16" INSULATED LAMINATED (HEAT STRENGTHENED) ARE LARGE MISSILE IMPACT RESISTANT AND DO NOT REQUIRE IMPACT RESISTANT SHUTTERS.
- 4- NO 33-1/3% INCREASE IN ALLOWABLE STRESS HAS BEEN USED IN THE DESIGN OF THIS SYSTEM. WIND LOAD DURATION FACTOR Cd=1.6 HAS BEEN USED FOR WOOD ANCHOR DESIGN.
- 5- THE ARCHITECT/ENGINEER OF RECORD FOR THE PROJECT SUPERSTRUCTURE WITH WHICH THIS DESIGN IS USED SHALL BE RESPONSIBLE FOR THE INTEGRITY OF ALL SUPPORTING SURFACES TO THIS DESIGN WHICH SHALL BE COORDINATED BY THE PERMITTING CONTRACTOR. WOOD BUCKS (BY OTHERS) SHALL BE ANCHORED PROPERLY TO TRANSFER LOADS TO THE EXISTING STRUCTURE.
- 6- THE SYSTEM DETAILED HEREIN IS GENERIC AND DOES NOT PROVIDE INFORMATION FOR A SPECIFIC SITE. FOR SITE CONDITIONS DIFFERENT FROM THE CONDITIONS DETAILED HEREIN, A LICENSED ENGINEER OR REGISTERED ARCHITECT SHALL PREPARE SITE SPECIFIC DOCUMENTS FOR USE IN CONJUNCTION WITH THIS DOCUMENT.
- 7- ALL CONCRETE ANCHORS SPECIFIED HEREIN REFER TO ELCO CARBON STEEL ULTRACONS. FASTENED TO 6" MIN. THICK 3,000 PSI MIN. NON-CRACKED CONCRETE (BY OTHERS) OR POWERS WEDGE-BOLT+ 3/8" Ø 2-1/8" GRADE 2 MIN INTO 3,000 PSI NON-CRACKED CONCRETE INSTALL ALL CONCRETE ANCHORS PER MANUFACTURER'S RECOMMENDATIONS.
- 8- ALL FASTENERS INTO METAL SUBSTRATES TO BE 5/16"Ø ELCO DRIL-FLEX UNLESS NOTED OTHERWISE. ALL THRU-BOLTS AT INTERMEDIATE VERTICAL MULLIONS TO BE 1/4" DIA THRU-BOLTS WITH FENDER WASHERS AND NUT AS SHOWN HEREIN. FASTENERS SHALL BE CADMIUM-PLATED OR OTHERWISE CORROSION-RESISTANT MATERIAL AND SHALL COMPLY WITH "SPECIFICATIONS FOR ALUMINUM STRUCTURES" SECTION J.3.1 BY THE ALUMINUM ASSOCIATION, INC., & ANY APPLICABLE FEDERAL, STATE, AND/OR LOCAL CODES.
- 9- ALL EXTRUSIONS SHALL BE 6063-T6 MIN ALLOY AND TEMPER, MANUFACTURED BY LA FINESTRA LC.
- 10- GLAZING ILLUSTRATED HEREIN UTILIZES SENTRYGLAS INTERLAYER BY KURARAY AMERICA INC. (NOA# 14-0916.11)
- 11- THE CONTRACTOR IS RESPONSIBLE TO INSULATE ALL MEMBERS FROM DISSIMILAR MATERIALS TO PREVENT ELECTROLYSIS.
- 12- ENGINEER SEAL AFFIXED HERE TO VALIDATES STRUCTURAL DESIGN AS SHOWN ONLY. USE OF THIS SPECIFICATION BY CONTRACTOR, et. al. INDEMNIFIES & SAVES HARMLESS THIS ENGINEER FOR ALL COST & DAMAGES INCLUDING LEGAL FEES & APPELLATE FEES RESULTING FROM MATERIAL FABRICATION, SYSTEM ERECTION, & CONSTRUCTION PRACTICES BEYOND THAT WHICH IS CALLED FOR BY LOCAL, STATE, & FEDERAL CODES & FROM DEVIATIONS OF THIS PLAN.
- 13- EXCEPT AS EXPRESSLY PROVIDED HEREIN, NO ADDITIONAL CERTIFICATIONS OR AFFIRMATIONS ARE INTENDED.
- 14- ALTERATIONS, ADDITIONS, OR OTHER MARKINGS TO THIS DOCUMENT ARE NOT PERMITTED AND INVALIDATE THIS CERTIFICATION.
- 15- SAFEGUARDS MUST BE OBSERVED (NOT IN THIS CERTIFICATION)
- 16- THIS DOCUMENT DOES NOT ADDRESS ANY ENERGY EFFICIENCY RATING
- 17- PRODUCT SHALL BE PERMANENTLY LABELED WITH A MINIMUM OF ONE LABEL PER SYSTEM CONTAINING THE FOLLOWING:
 LA FINESTRA, LC
 DORAL, FLORIDA
 TAS 201/202/203
 APPROVED BY FLORIDA BUILDING COMMISSION
 FLORIDA PRODUCT APPROVAL NUMBER

SHEET INDEX	
# SHEET	DESCRIPTION
1	COVER SHEET
2	GLASS TYPES AND SHAPES
3	WINDOW LOADS
4	ELEVATIONS - ANCHORING
5	ELEVATIONS - ANCHORING
6	SMALL MULLION CHARTS
7-12	DETAILS
13	ELEVATIONS - ANCHORING
14	ELEVATIONS - ANCHORING

SHEET INDEX	
# SHEET	DESCRIPTION
15-17	LARGE MULLION CHARTS
18-23	DETAILS
24	ELEVATIONS - ANCHORING
25-26	UNITIZED MULLION CHARTS
27-28	DETAILS
29-32	PARTS
33	PARTS LIST
34	ASSEMBLY DIAGRAMS
34	TOTAL



ENGINEERING EXPRESS®
 CORPORATE OFFICE:
 160 SW 12th AVE, SUITE 106
 DEERFIELD BEACH, FL 33442
 P: (954) 354-0660 F: (954) 354-0443
 E: HELLO@ENGINEERINGEXPRESS.COM
 ENGINEERINGEXPRESS.COM
 CERT OF AUTH #9885

TEST REPORTS:

- Static - TAS 202**
 Hurricane Engineering and Testing, Inc.
 HETI-08-2140A
 HETI-08-2141A
 HETI-15-5108
 HETI-15-5109
 HETI-15-5122
 HETI-15-5123
 HETI-16-5030
 HETI-16-5032
 HETI-16-5034
 HETI-16-5086
 Fenestration Testing Laboratory, Inc.
 FTL-3545
- Missile - TAS 201 and 203**
 Hurricane Engineering and Testing, Inc.
 HETI-08-2140B
 HETI-08-2141B
 HETI-08-2142
 HETI-15-5109
 HETI-15-5123
 HETI-16-5030
 HETI-16-5033
 HETI-16-5035
 HETI-16-5083
 HETI-16-5087
 Fenestration Testing Laboratory, Inc.
 FTL-3545
 FTL-3546
 FTL-3547
- Tensile - ASTM E8-15a**
 Hurricane Engineering and Testing, Inc.
 HETI-16-T312
 HETI-16-T313
 HETI-16-T314
 HETI-16-T330

LA FINESTRA, LC
 2790 NW 104TH COURT
 DORAL, FL
 (305) 599-8093
 PREGLAZED WINDOW WALL
 FLORIDA PRODUCT APPROVAL
 FL18507.1-R2

DRWN	CHKD	DATE
SSQ	FLB	08/31/15
SSQ	FLB	12/18/15
JEM	FLB	08/26/16

REMARKS
 INIT ISSUE
 REV1
 REV2

THIS DOCUMENT IS THE PROPERTY OF ENGINEERING EXPRESS AND SHALL NOT BE REPRODUCED IN WHOLE OR PART WITHOUT WRITTEN CONSENT OF ENGINEERING EXPRESS. ALTERATIONS, ADDITIONS, OR OTHER MARKINGS TO THIS DOCUMENT ARE NOT PERMITTED AND INVALIDATE OUR CERTIFICATION.

COPYRIGHT ENGINEERING EXPRESS®

15-2573

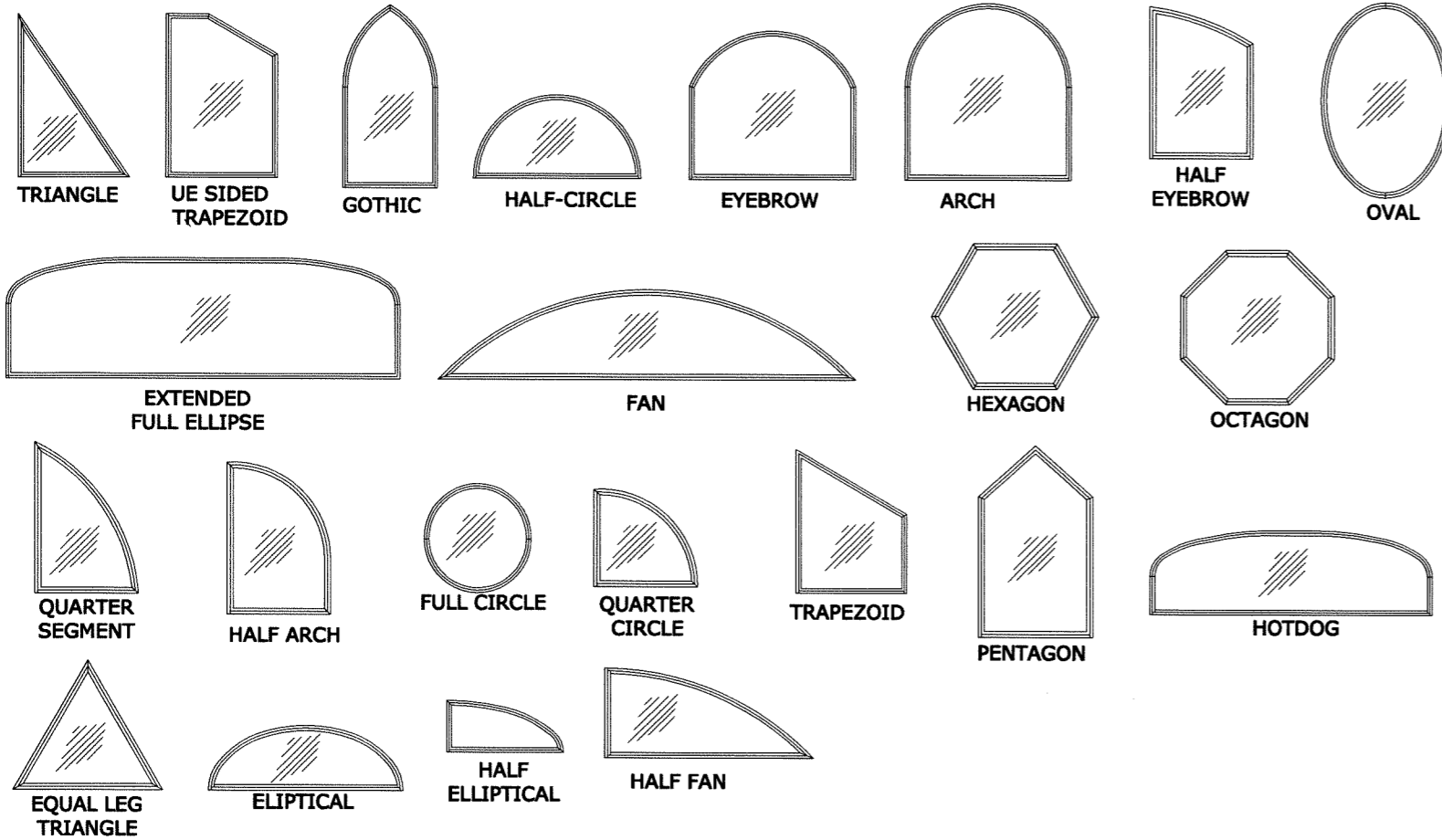
SCALE: NTS UNLESS NOTED

1

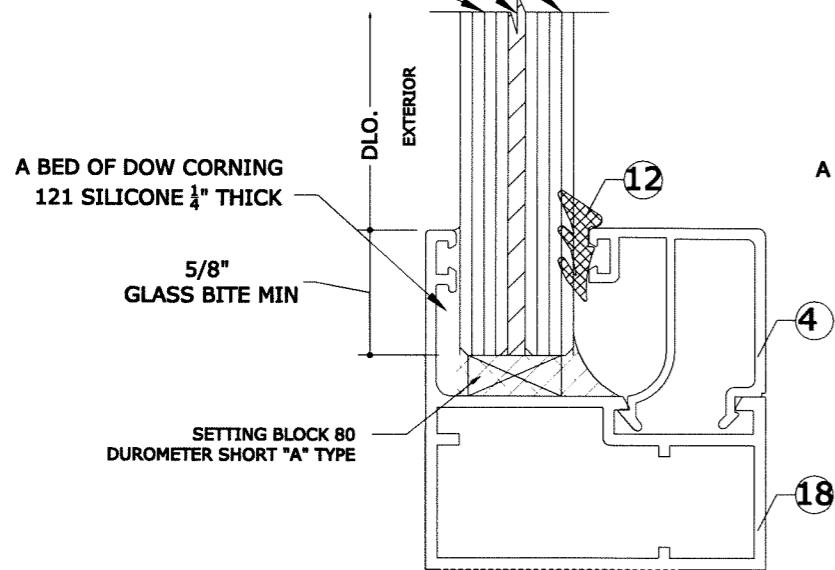
FL #18507.1-R2

POSSIBLE ARCHITECTURAL SHAPES:

NO SHAPE MAY EXCEED SIZE OF TESTED RECTANGLE
TRANSCRIBED AROUND SHAPE.

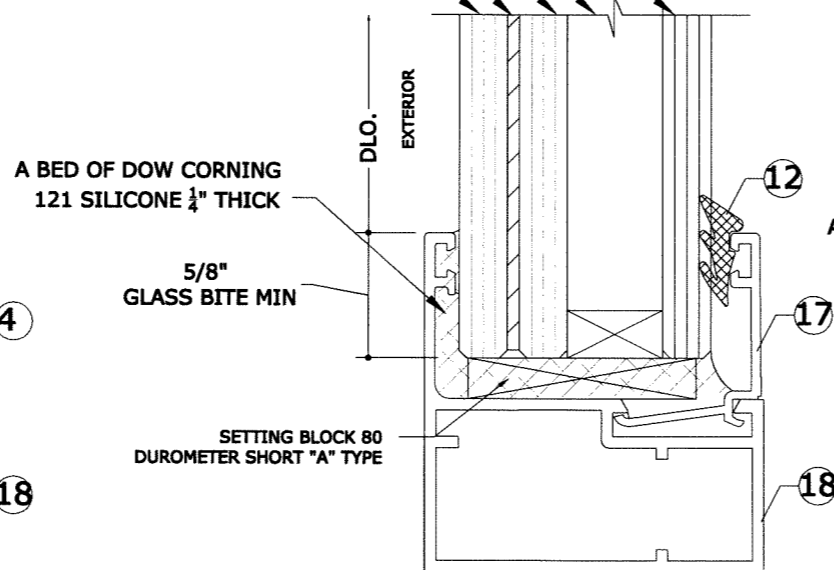


1/4" HEAT STRENGTHENED GLASS
.090 SENTRYGLAS INTERLAYER BY DUPONT
1/4" HEAT STRENGTHENED GLASS



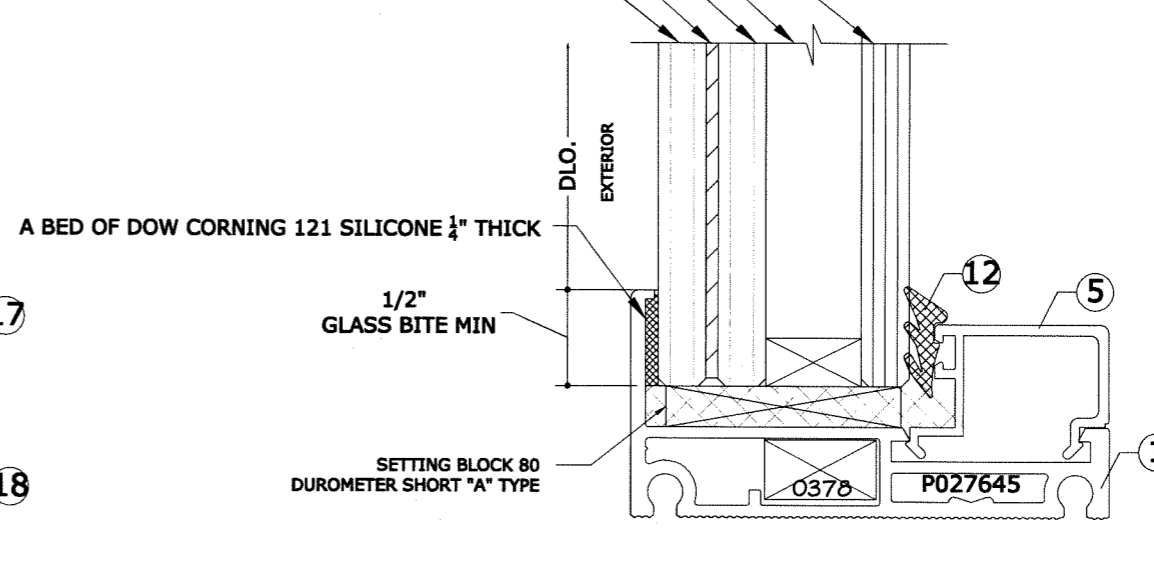
GLASS TYPE A
1'-0" = 1'-0"

1/4" TEMPERED GLASS
1/2" AIR SPACE
1/4" HEAT STRENGTHENED GLASS
.090 SENTRYGLAS INTERLAYER BY DUPONT
1/4" HEAT STRENGTHENED GLASS



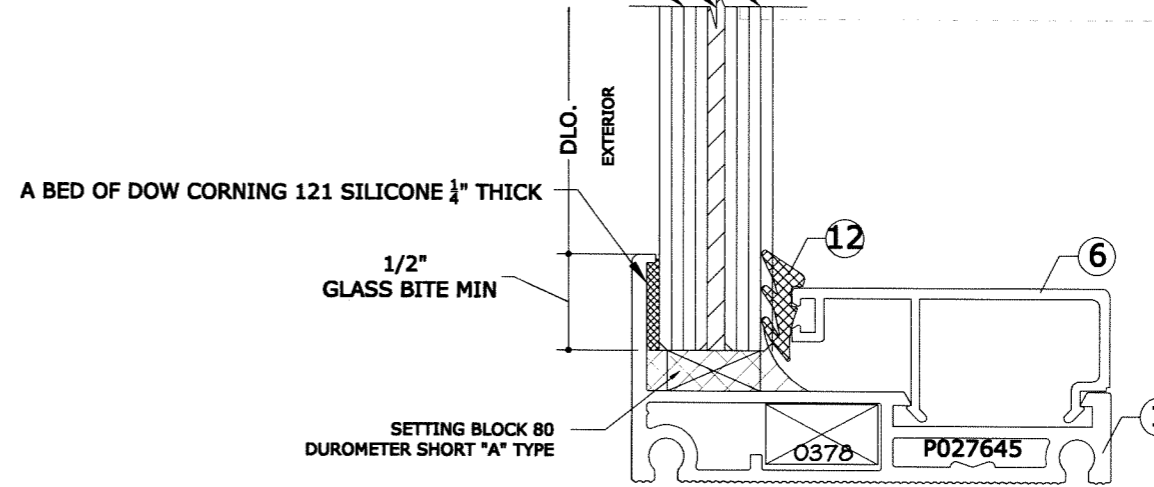
GLASS TYPE B
1'-0" = 1'-0"

1/4" TEMPERED GLASS
1/2" AIR SPACE
1/4" HEAT STRENGTHENED GLASS
.090 SENTRYGLAS INTERLAYER BY DUPONT
1/4" HEAT STRENGTHENED GLASS

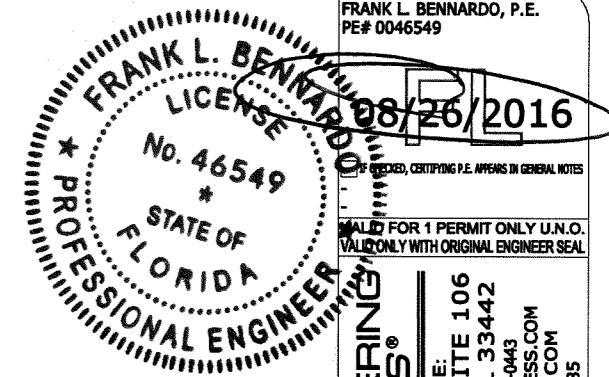


GLASS TYPE B
1'-0" = 1'-0"

1/4" HEAT STRENGTHENED GLASS
.090 SENTRYGLAS INTERLAYER BY DUPONT
1/4" HEAT STRENGTHENED GLASS



GLASS TYPE A
1'-0" = 1'-0"



FRANK L. BENNARDO, P.E.
PE# 0046549
VALID FOR 1 PERMIT ONLY U.N.O.
VALID ONLY WITH ORIGINAL ENGINEER SEAL
ENGINEERING EXPRESS®
CORPORATE OFFICE:
160 SW 12th AVE, SUITE 106
DEERFIELD BEACH, FL 33442
P: (954) 354-0660 F: (954) 354-0443
E: HELLO@ENGINEERINGEXPRESS.COM
ENGINEERINGEXPRESS.COM
CERT OF AUTH #9885

LA FINESTRA, LC
2790 NW 104TH COURT
DORAL, FL
(305) 599-8093
PREGLAZED WINDOW WALL
FLORIDA PRODUCT APPROVAL
FL18507.1-R2

DRWN	CHKD	DATE
SSQ	FLB	08/31/15
SSQ	FLB	12/18/15
JEM	FLB	08/28/16

REMARKS
INIT ISSUE
REV1
REV2

THIS DOCUMENT IS THE PROPERTY OF ENGINEERING EXPRESS AND SHALL NOT BE REPRODUCED IN WHOLE OR PART WITHOUT WRITTEN CONSENT OF ENGINEERING EXPRESS. ALTERATIONS, ADDITIONS, OR OTHER MARKINGS TO THIS DOCUMENT ARE NOT PERMITTED AND INVALIDATE OUR CERTIFICATION.

COPYRIGHT ENGINEERING EXPRESS®
15-2573
SCALE: NTS UNLESS NOTED
2 of 34

C:\Users\joem\appdata\localtemp\AcPublish_4064115-2573_Cad for FL approval.dwg
joem
08/26/2016 - 8:46pm

WINDOW LOADING			
NOMINAL DIMS		(+).P.S.F.	(-).P.S.F.
WIDTH	HEIGHT		
36"	48"	+120	-140
42"		+120	-140
46"		+110	-130
48.5"		+105	-124
54"		+105	-124
60.25"		+105	-124
62.375"		+105	-124
66"		+105	-124
72"		+105	-124
78"		+105	-124
84"		+105	-124
90"		+105	-124
96"		+105	-124
102"		+105	-124
108"		+105	-124
114"		+105	-124
120"		+90	-101
126"		+90	-101
132"		+90	-101
138"		+90	-101
144"	+90	-101	
150"	+90	-100	
156"	+90	-100	

36"	54"	+120	-140
42"		+120	-140
46"		+110	-130
48.5"		+104	-123
54"		+93	-110
60.25"		+93	-110
62.375"		+93	-110
66"		+93	-110
72"		+93	-110
78"		+93	-110
84"		+93	-110
90"		+93	-110
96"		+93	-110
102"		+93	-110
108"		+90	-100
114"		+90	-100
120"		+90	-100
126"		+90	-100
132"		+90	-100
138"		+90	-100
144"	+90	-100	
150"	+90	-100	
156"	+90	-100	

WINDOW LOADING			
NOMINAL DIMS		(+).P.S.F.	(-).P.S.F.
WIDTH	HEIGHT		
36"	60"	+120	-140
42"		+120	-140
46"		+110	-130
48.5"		+104	-123
54"		+93	-110
60.25"		+90	-100
62.375"		+90	-100
66"		+90	-100
72"		+90	-100
78"		+90	-100
84"		+90	-100
90"		+90	-100
96"		+90	-100
102"		+90	-100
108"		+90	-100
114"		+90	-100
120"		+90	-100
126"		+90	-100
132"		+90	-100
138"		+90	-100
144"	+90	-100	

36"	66"	+120	-140
42"		+120	-140
46"		+110	-130
48.5"		+104	-123
54"		+93	-110
60.25"		+90	-100
62.375"		+86	-96
66"		+82	-91
72"		+82	-91
78"		+82	-91
84"		+82	-91
90"		+82	-91
96"		+82	-91
102"		+82	-91
114"		+82	-91
126"	+82	-91	

36"	72"	+120	-140
42"		+120	-140
46"		+110	-130
48.5"		+104	-123
54"		+93	-110
60.25"		+90	-100
62.375"		+86	-96
66"		+82	-91
72"		+75	-83
78"		+75	-83
84"		+75	-83
90"		+75	-83
96"		+75	-83
102"		+75	-83
108"		+75	-83
114"	+75	-83	
120"	+75	-83	

WINDOW LOADING			
NOMINAL DIMS		(+).P.S.F.	(-).P.S.F.
WIDTH	HEIGHT		
36"	78"	+120	-140
42"		+120	-140
46"		+110	-130
48.5"		+104	-123
54"		+93	-110
60.25"		+90	-100
62.375"		+86	-96
66"		+82	-91
72"		+75	-83
78"		+69	-77
84"		+69	-77
90"		+69	-77
96"		+69	-77
102"		+69	-77
108"		+69	-77

36"	84"	+120	-140
42"		+120	-140
46"		+110	-130
48.5"		+104	-123
54"		+93	-110
60.25"		+90	-100
62.375"		+86	-96
66"		+82	-91
72"		+75	-83
78"		+69	-77
84"	+64	-71	
90"	+64	-71	
96"	+64	-71	
102"	+64	-71	

36"	90"	+120	-140
42"		+120	-140
46"		+110	-130
48.5"		+104	-123
54"		+93	-110
60.25"		+90	-100
62.375"		+86	-96
66"		+82	-91
72"		+75	-83
78"		+69	-77
84"		+64	-71
90"		+60	-66
96"		+60	-66

36"	96"	+120	-140
42"		+120	-140
46"		+110	-130
48.5"		+104	-123
54"		+93	-110
60.25"		+90	-100
62.375"		+86	-96
66"		+82	-91
72"		+75	-83
78"		+69	-77
84"	+64	-71	
90"	+60	-66	

WINDOW LOADING			
NOMINAL DIMS		(+).P.S.F.	(-).P.S.F.
WIDTH	HEIGHT		
36"	102"	+120	-140
42"		+120	-140
46"		+110	-130
48.5"		+104	-123
54"		+93	-110
60.25"		+90	-100
62.375"		+86	-96
66"		+82	-91
72"		+75	-83
78"		+69	-77
84"	+64	-71	

36"	108"	+120	-140
42"		+120	-140
46"		+110	-130
48.5"		+104	-123
54"		+90	-100
60.25"		+90	-100
62.375"		+86	-96
66"		+82	-91
72"		+75	-83
78"		+69	-77

36"	114"	+120	-140
42"		+120	-140
46"		+110	-130
48.5"		+90	-100
54"		+90	-100
60.25"		+90	-100
62.375"		+86	-96
66"		+82	-91
72"		+75	-83

36"	120"	+120	-140
42"		+119	-140
46"		+110	-130
48.5"		+90	-100
54"		+90	-100
60.25"		+90	-100
62.375"		+86	-96
66"		+82	-91
72"		+75	-83

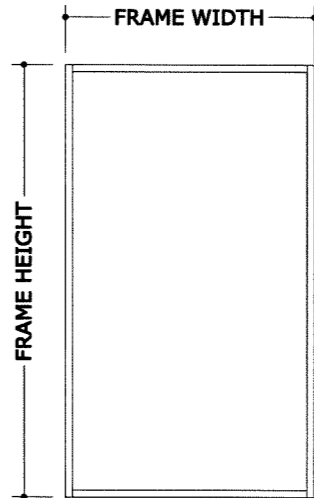
36"	122.375"	+120	-140
42"		+114	-135
46"		+90	-105
48.5"		+90	-100
54"		+90	-100
60.25"		+90	-100
62.375"		+86	-96
66"		+82	-91

36"	126"	+120	-140
42"		+107	-127
46"		+90	-105
48.5"		+90	-100
54"		+90	-100
60.25"		+90	-100
62.375"		+86	-96
66"		+82	-91

WINDOW LOADING			
NOMINAL DIMS		(+).P.S.F.	(-).P.S.F.
WIDTH	HEIGHT		
36"	132"	+113	-133
42"		+90	-110
46"		+90	-105
48.5"		+90	-100
54"		+90	-100
60.25"		+90	-100
62.375"		+86	-96

36"	138"	+103	-122
42"		+90	-110
46"		+90	-105
48.5"		+90	-100
54"		+90	-100
60.25"	+90	-100	
62.375"	+86	-96	

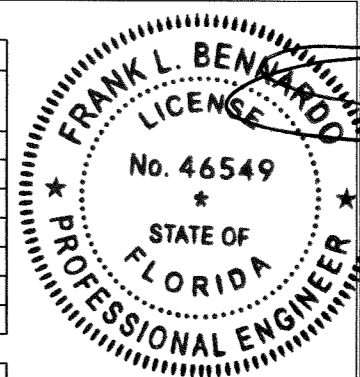
36"	144"	+94	-112
42"		+90	-110
46"		+90	-105
48.5"		+90	-100
54"		+90	-100
60.25"		+90	-100



NOTE: TO DETERMINE ALLOWABLE LOADS FOR FIX WINDOWS ONLY, SEE CHARTS THIS PAGE.
FOR MULLED WINDOWS USE THE LOWEST PRESSURE OF WINDOW CHART AND RESPECTIVE MULLION CAPACITY CHART.
GLASS DESIGN PER ASTM E1300-12

NOTE: WATER INFILTRATION 20 Psf. PER ASTM E331-00

NOTE: CHARTS ARE APPLICABLE FOR GLASS TYPES "A" AND "B"



FRANK L. BENNARDO, P.E.
PE# 0046549

VALID FOR 1 PERMIT ONLY U.N.O.
VALID ONLY WITH ORIGINAL ENGINEER SEAL

ENGINEERING EXPRESS
CORPORATE OFFICE:
160 SW 12th AVE, SUITE 106
DEERFIELD BEACH, FL 33442
P: (954) 354-0660 F: (954) 354-0443
E: HELLO@ENGINEERINGEXPRESS.COM
ENGINEERINGEXPRESS.COM
CERT OF AUTH #9885

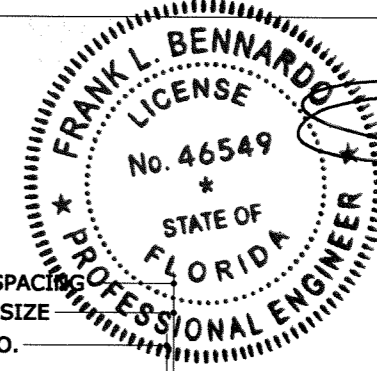
LA FINESTRA, LC
2790 NW 104TH COURT
DORAL, FL
(305) 599-8093
PREGLAZED WINDOW WALL
FLORIDA PRODUCT APPROVAL
FL18507.1-R2

REMARKS	DRWN	CHKD	DATE
INIT ISSUE	SSQ	FLB	08/31/15
REV1	SSQ	FLB	12/18/15
REV2	JEM	FLB	08/26/16

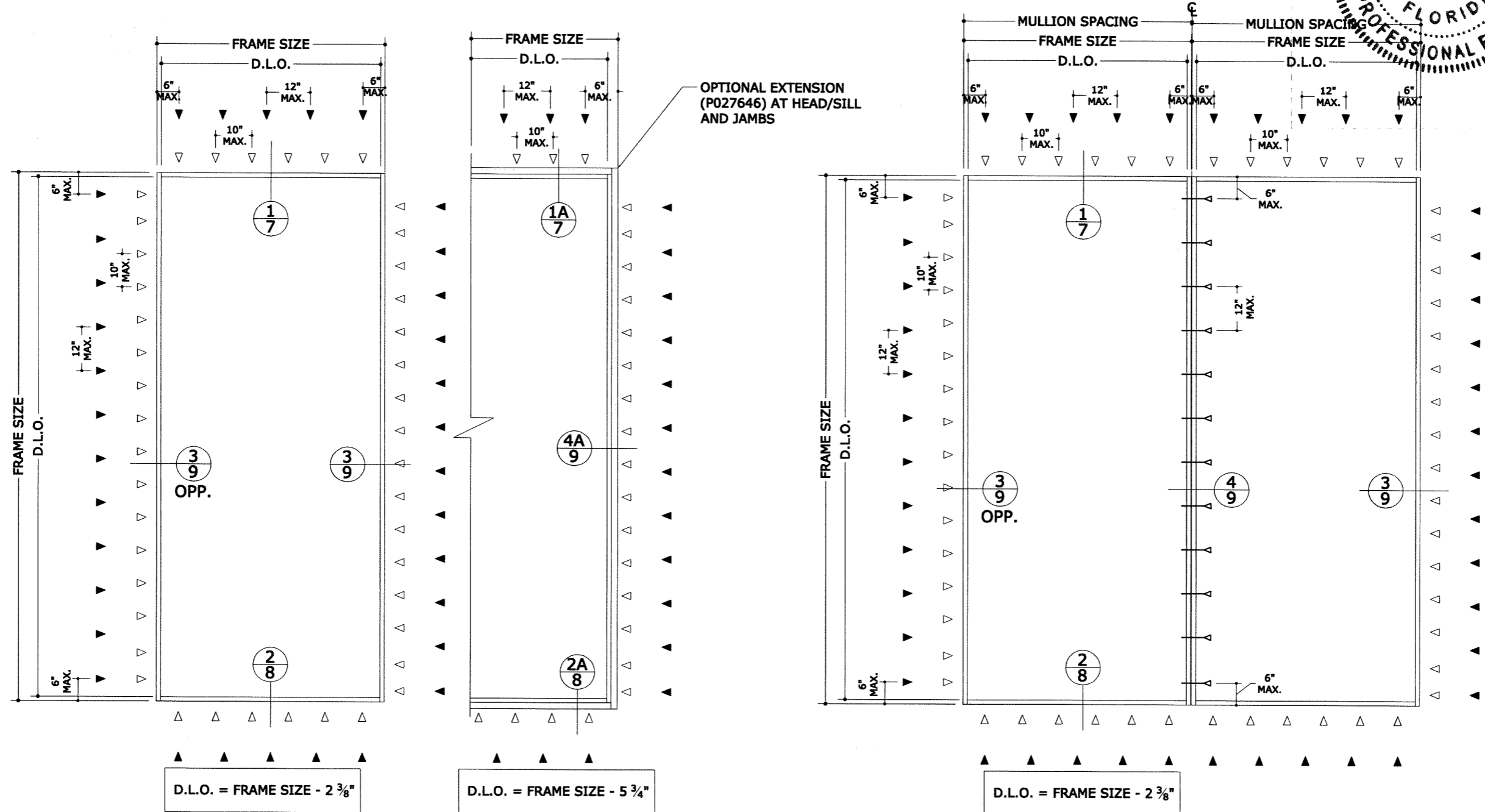
THIS DOCUMENT IS THE PROPERTY OF ENGINEERING EXPRESS AND SHALL NOT BE REPRODUCED IN WHOLE OR PART WITHOUT WRITTEN CONSENT OF ENGINEERING EXPRESS. ALTERATIONS, ADDITIONS, OR OTHER MARKINGS TO THIS DOCUMENT ARE NOT PERMITTED AND INVALIDATE OUR CERTIFICATION.

COPYRIGHT ENGINEERING EXPRESS®
15-2573
SCALE: NTS UNLESS NOTED

P027645 FRAME - SMALL MULLION



FRANK L. BENNARDO, P.E.
PE# 0046549
08/26/2016
IF CHECKED, CERTIFYING P.E. APPEARS IN GENERAL NOTES



OPTIONAL EXTENSION (P027646) AT HEAD/SILL AND JAMBS

D.L.O. = FRAME SIZE - 2 3/8"

D.L.O. = FRAME SIZE - 5 3/4"

D.L.O. = FRAME SIZE - 2 3/8"

ANCHOR TYPES

- ▲ 1/4" THRU-BOLT WITH FENDER WASHERS AND NUT
- ▼ 5/16" ULTRACON BY ELCO (Fu=177 KSI Fy= 155 KSI) WITH 1 3/4" MIN. EMBEDMENT INTO 3000 PSI. CONCRETE MIN. AND 2 3/16" MIN. EDGE DISTANCE.
- ▼ 1/4-20 SMS SCREWS GRADE 5 MIN. (Fu= 120 KSI Fy= 155 KSI) WITH 5 PINCHES MIN. PASS THE THREAD PLANE AND 1" MIN. EDGE DISTANCE INTO 1/8" MIN. THICK ALUMINUM (6063-T5 MIN.) OR 1/8" MIN THICK STEEL (A-36 MIN.)
- ▽ 5/16" ULTRACON BY ELCO (Fu=177 KSI Fy= 155 KSI) INTO 2BY WOOD BUCK (SYP#2 G= 0.55 MIN) WITH 1 1/2" MIN. ENGAGEMENT INTO WOOD AND 1" MIN. EDGE DISTANCE.

TYPICAL ELEVATIONS

NOTE:
SIZES ARE THE MAXIMUM ALLOWED UNLESS ADDRESSED SEPARATELY UNDER SITE SPECIFIC ENGINEERING PER FLORIDA BUILDING CODE 2411.3.2.4 1710.3.1

NOTE:
FOR PRESSURES USING TESTED MULLIONS SEE CHARTS ON SHEET 6

VALID FOR 1 PERMIT ONLY U.N.O.
VALID ONLY WITH ORIGINAL ENGINEER SEAL

ENGINEERING EXPRESS®
CORPORATE OFFICE:
160 SW 12th AVE, SUITE 106
DEERFIELD BEACH, FL 33442
P: (954) 354-0660 F: (954) 354-0443
E: HELLO@ENGINEERINGEXPRESS.COM
ENGINEERINGEXPRESS.COM
CERT OF AUTH #9885

LA FINESTRA, LC
2790 NW 104TH COURT
DORAL, FL
(305) 599-8093
PREGLAZED WINDOW WALL
FLORIDA PRODUCT APPROVAL
FL18507.1-R2

DRWN	CHKD	DATE
SSQ	FLB	08/31/15
SSQ	FLB	12/18/15
JEM	FLB	08/26/16

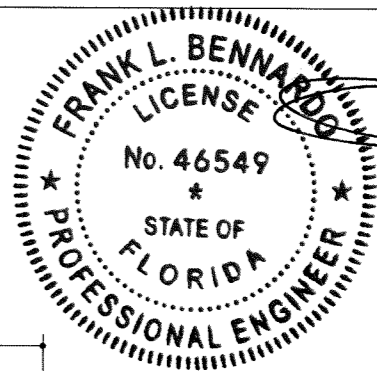
REMARKS
INIT ISSUE
REV1
REV2

THIS DOCUMENT IS THE PROPERTY OF ENGINEERING EXPRESS AND SHALL NOT BE REPRODUCED IN WHOLE OR PART WITHOUT WRITTEN CONSENT OF ENGINEERING EXPRESS. ALTERATIONS, ADDITIONS, OR OTHER MARKINGS TO THIS DOCUMENT ARE NOT PERMITTED AND INVALIDATE OUR CERTIFICATION.

COPYRIGHT ENGINEERING EXPRESS®
15-2573
SCALE: NTS UNLESS NOTED

08/26/2016 - 8:46pm joem C:\Users\joem\appdata\local\temp\AcPublish_4064115-2573_Cad for FL approval.dwg

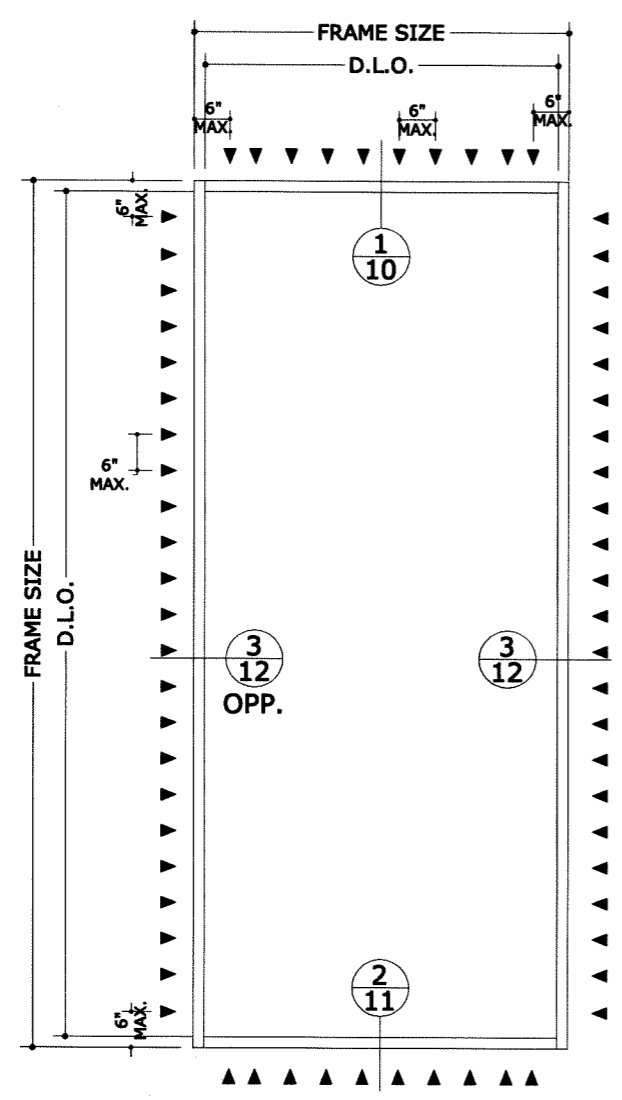
7013 FRAME - SMALL MULLION



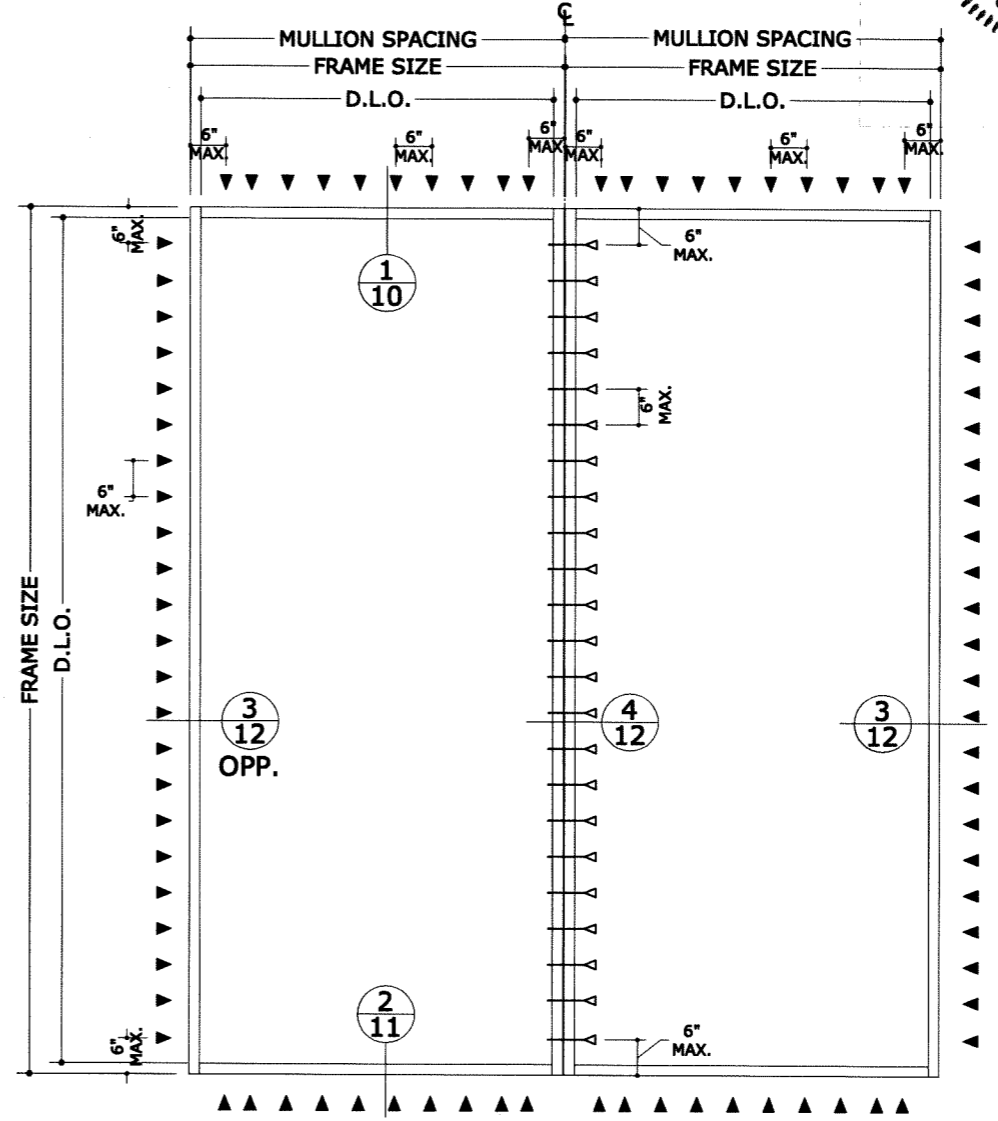
FRANK L. BENNARDO, P.E.
PE# 0046549
08/26/2016

VALID FOR 1 PERMIT ONLY U.N.O.
VALID ONLY WITH ORIGINAL ENGINEER SEAL

ENGINEERING EXPRESS
CORPORATE OFFICE:
160 SW 12th AVE, SUITE 106
DEERFIELD BEACH, FL 33442
P: (954) 354-0660 F: (954) 354-0443
E: HELLO@ENGINEERINGEXPRESS.COM
ENGINEERINGEXPRESS.COM
CERT OF AUTH #9885



D.L.O. = FRAME SIZE - 3 5/8"



D.L.O. = FRAME SIZE - 3 5/8"

ANCHOR TYPES

- 1/4" THRU-BOLT WITH FENDER WASHERS AND NUT
- ▼ 5/16" ULTRACON BY ELCO (Fu=177 KSI Fy= 155 KSI) WITH 1 3/4" MIN. EMBEDMENT INTO 3000 PSI. CONCRETE MIN. AND 2 3/16" MIN. EDGE DISTANCE.
- ▼ 1/4-20 SMS SCREWS GRADE 5 MIN. (Fu= 120 KSI Fy= 155 KSI) WITH 5 PINCHES MIN. PASS THE THREAD PLANE AND 1" MIN. EDGE DISTANCE INTO 1/8" MIN. THICK ALUMINUM (6063-T5 MIN.) OR 1/8" MIN THICK STEEL (A-36 MIN.)
- ▼ 5/16" ULTRACON BY ELCO (Fu=177 KSI Fy= 155 KSI) INTO 2BY WOOD BUCK (SYP#2 G= 0.55 MIN) WITH 1 1/2" MIN. ENGAGEMENT INTO WOOD AND 1" MIN. EDGE DISTANCE.

TYPICAL ELEVATIONS

NOTE:
SIZES ARE THE MAXIMUM ALLOWED UNLESS ADDRESSED SEPARATELY UNDER SITE SPECIFIC ENGINEERING PER FLORIDA BUILDING CODE 2411.3.2.4 1710.3.1

NOTE:
FOR PRESSURES USING TESTED MULLIONS SEE CHARTS ON SHEET 6

LA FINESTRA, LC
2790 NW 104TH COURT
DORAL, FL
(305) 599-8093
PREGLAZED WINDOW WALL
FLORIDA PRODUCT APPROVAL
FL18507.1-R2

DRWN	CHKD	DATE
SSQ	FLB	08/31/15
SSQ	FLB	12/18/15
JEM	FLB	08/26/16

REMARKS
INIT ISSUE
REV1
REV2

THIS DOCUMENT IS THE PROPERTY OF ENGINEERING EXPRESS AND SHALL NOT BE REPRODUCED IN WHOLE OR PART WITHOUT WRITTEN CONSENT OF ENGINEERING EXPRESS. ALTERATIONS, ADDITIONS, OR OTHER MARKINGS TO THIS DOCUMENT ARE NOT PERMITTED AND INVALIDATE OUR CERTIFICATION.

COPYRIGHT ENGINEERING EXPRESS
15-2573
SCALE: NTS UNLESS NOTED
OF 34
5

MULLION DESIGN CAPACITY (PSF)		
NOMINAL DIMS		NON-REINF
WIDTH	HEIGHT	(+/-) P.S.F
36"	48"	100
42"		100
48"		100
54"		100
60"		100
66"		100
72"		100
78"		100
84"		100
90"		100
96"		100

MULLION DESIGN CAPACITY (PSF)		
NOMINAL DIMS		NON-REINF
WIDTH	HEIGHT	(+/-) P.S.F
36"	66"	100
42"		100
48"		100
54"		100
60"		94
66"		85
72"		78
78"		72
84"		67
90"		62
96"		58

MULLION DESIGN CAPACITY (PSF)		
NOMINAL DIMS		NON-REINF
WIDTH	HEIGHT	(+/-) P.S.F
36"	84"	89
42"		76
48"		66
54"		59
60"		53
66"		48
72"		44
78"		41
84"		38
90"		35
96"		33

36"	54"	100
42"		100
48"		100
54"		100
60"		100
66"		100
72"		100
78"		100
84"		100
90"		93
96"		87

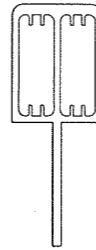
36"	72"	100
42"		100
48"		98
54"		87
60"		79
66"		71
72"		65
78"		60
84"		56
90"		52
96"		49

36"	90"	72
42"		62
48"		54
54"		48
60"		43
66"		39
72"		36
78"		33
84"		31
90"		28
96"		27

36"	60"	100
42"		100
48"		100
54"		100
60"		100
66"		100
72"		95
78"		87
84"		81
90"		76
96"		71

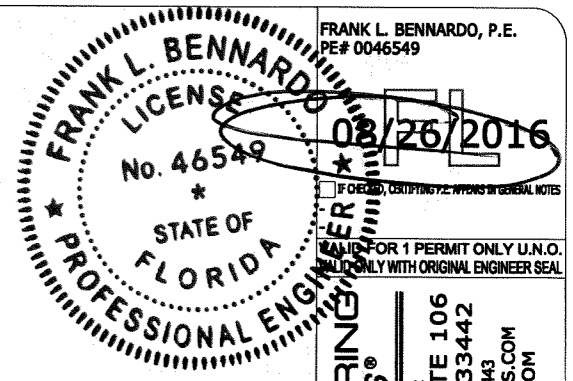
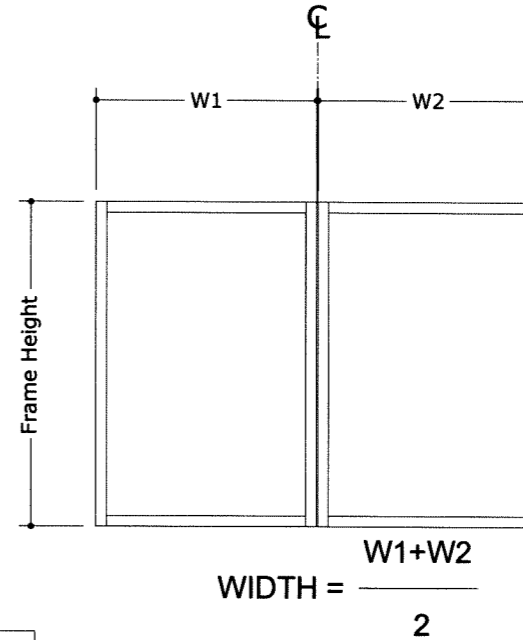
36"	78"	100
42"		95
48"		83
54"		74
60"		66
66"		60
72"		55
78"		51
84"		47
90"		44
96"		41

36"	96"	59
42"		51
48"		44
54"		39
60"		35
66"		32
72"		29
78"		27
84"		25
90"		23
96"		22



P027569
Non-Reinforced

NOTE: FOR ALLOWABLE PRESSURES THE LOWEST PRESSURE RATING OF MULLION AND FIXED WINDOW SHALL APPLY.



ENGINEERING EXPRESS®
CORPORATE OFFICE:
160 SW 12th AVE, SUITE 106
DEERFIELD BEACH, FL 33442
P: (954) 354-0660 F: (954) 354-0443
E: HELLO@ENGINEERINGEXPRESS.COM
ENGINEERINGEXPRESS.COM
CERT OF AUTH #9885

LA FINESTRA, LC
2790 NW 104TH COURT
DORAL, FL
(305) 599-8093
PREGLAZED WINDOW WALL
FLORIDA PRODUCT APPROVAL
FL18507.1-R2

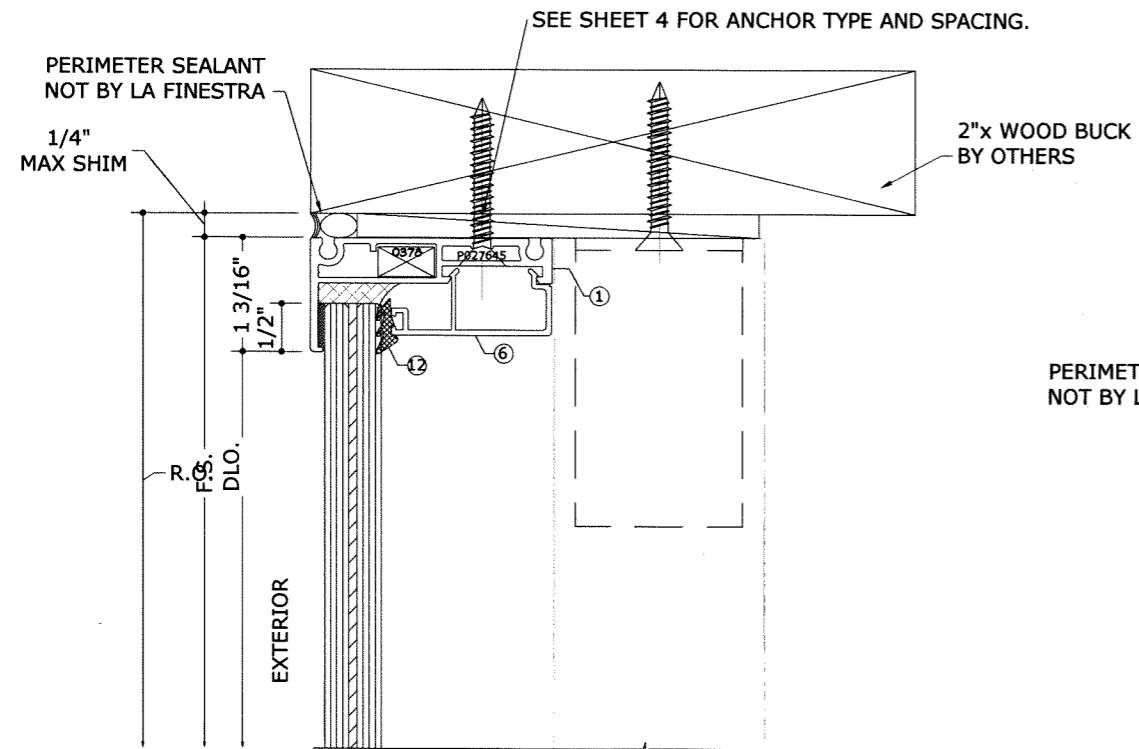
REMARKS	DRWN	CHKD	DATE
INIT ISSUE	SSQ	FLB	08/31/15
REV1	SSQ	FLB	12/18/15
REV2	JEM	FLB	08/28/16

THIS DOCUMENT IS THE PROPERTY OF ENGINEERING EXPRESS AND SHALL NOT BE REPRODUCED IN WHOLE OR PART WITHOUT WRITTEN CONSENT OF ENGINEERING EXPRESS. ALTERATIONS, ADDITIONS, OR OTHER MARKINGS TO THIS DOCUMENT ARE NOT PERMITTED AND INVALIDATE OUR CERTIFICATION.

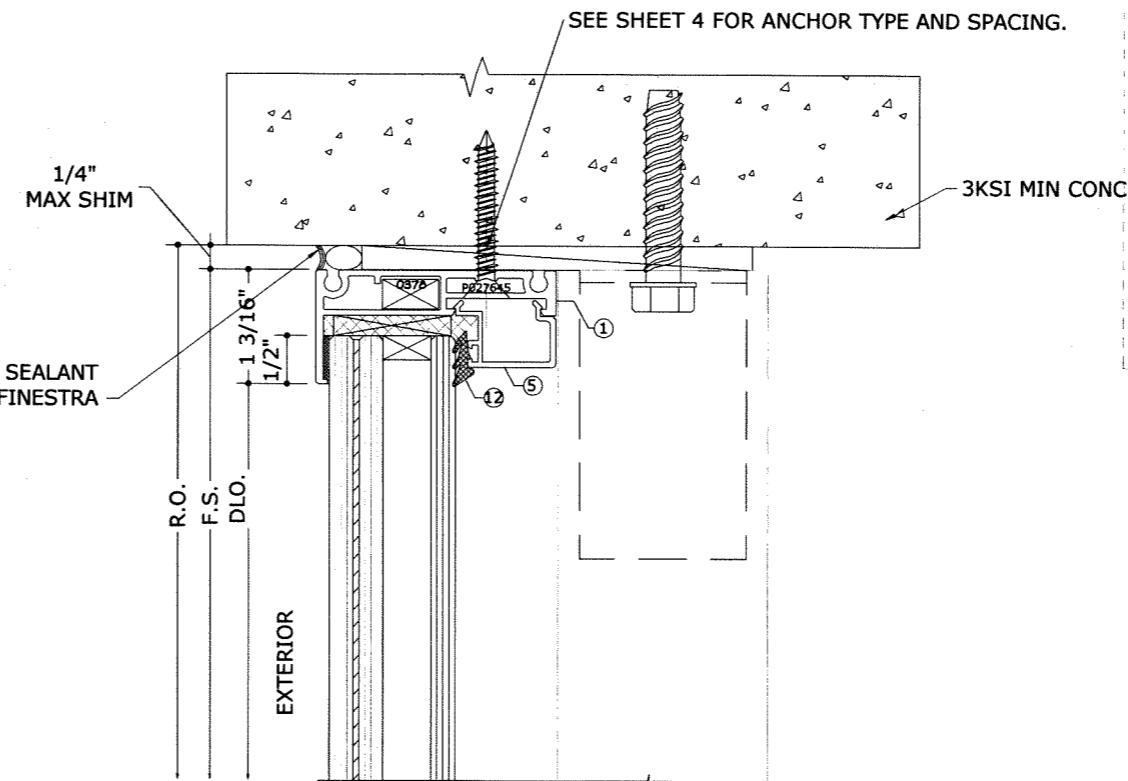
C:\Users\joem\appdata\local\temp\AcPublish_4064115-2573_Cad for FL approval.dwg

joem

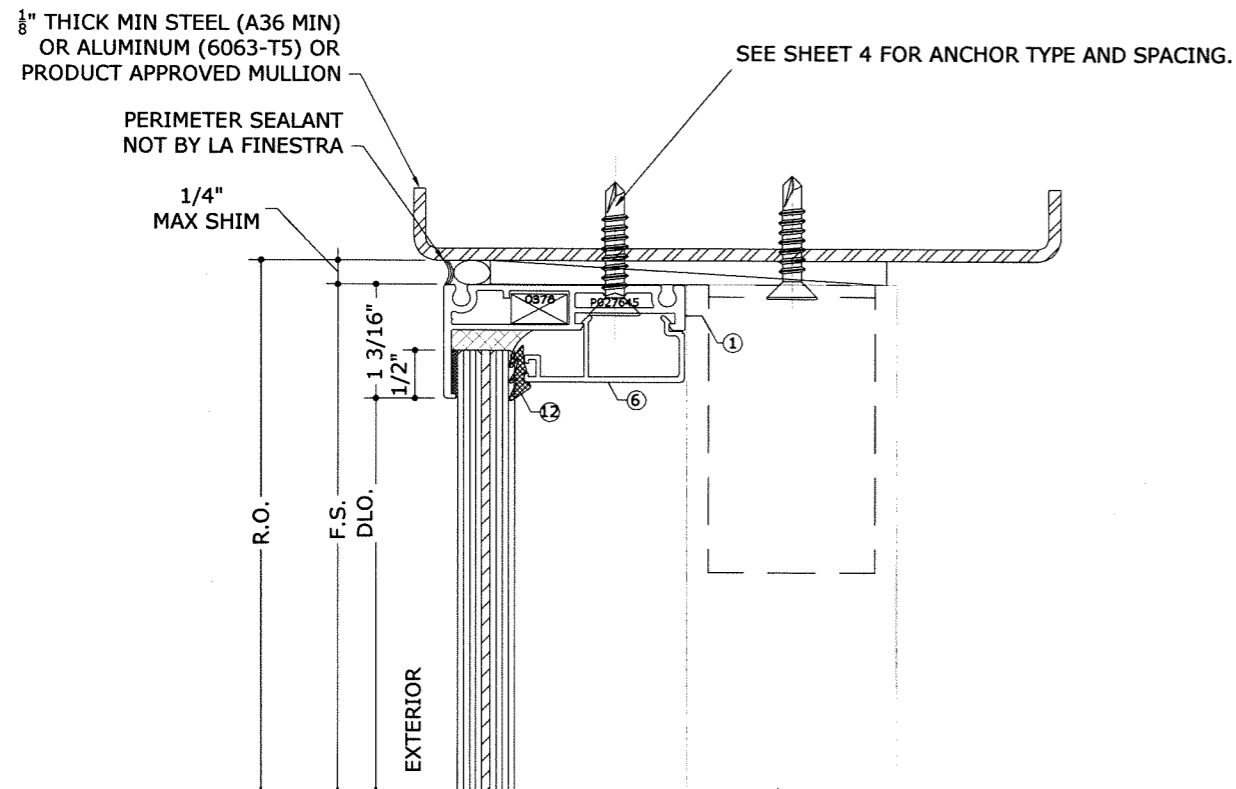
08/26/2016 - 8:46pm



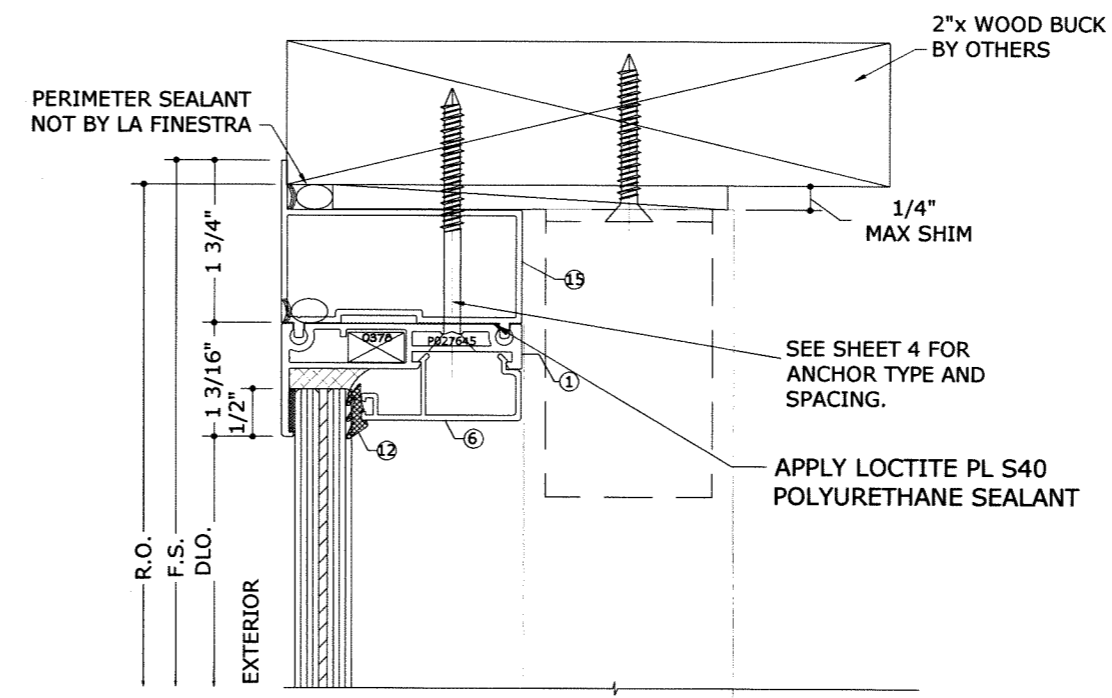
1 HEADER INTO WOOD
7 6" = 1'-0"



1 HEADER INTO CONCRETE
7 6" = 1'-0"

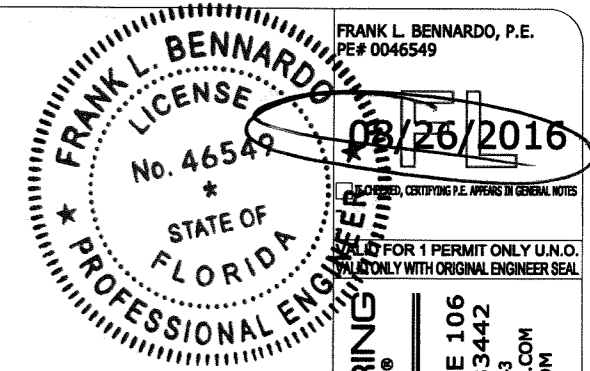


1 HEADER INTO METAL
7 6" = 1'-0"



1A HEADER INTO WOOD W/ EXTENSION (OPTIONAL)
7 6" = 1'-0"

NOTE:
WOOD BUCKS AND METAL STRUCTURES NOT BY LA FINESTRA MUST SUSTAIN LOADS IMPOSED BY GLAZING SYSTEM AND TRANSFER THEM TO THE BUILDING STRUCTURE.



FRANK L. BENNARDO, P.E.
PE# 0046549
08/26/2016
FOR 1 PERMIT ONLY U.N.O.
ONLY WITH ORIGINAL ENGINEER SEAL
ENGINEERING EXPRESS
CORPORATE OFFICE:
160 SW 12th AVE, SUITE 106
DEERFIELD BEACH, FL 33442
P: (954) 354-0660 F: (954) 354-0443
E: HELLO@ENGINEERINGEXPRESS.COM
ENGINEERINGEXPRESS.COM
CERT OF AUTH #9885

LA FINESTRA, LC
2790 NW 104TH COURT
DORAL, FL
(305) 599-8093
PREGLAZED WINDOW WALL
FLORIDA PRODUCT APPROVAL
FL18507.1-R2

REMARKS	DRWN	CHKD	DATE
INIT ISSUE	SSQ	FLB	08/31/15
REV1	SSQ	FLB	12/18/15
REV2	JEM	FLB	08/28/16

THIS DOCUMENT IS THE PROPERTY OF ENGINEERING EXPRESS AND SHALL NOT BE REPRODUCED IN WHOLE OR PART WITHOUT WRITTEN CONSENT OF ENGINEERING EXPRESS. ALTERATIONS, ADDITIONS, OR OTHER MARKINGS TO THIS DOCUMENT ARE NOT PERMITTED AND INVALIDATE OUR CERTIFICATION.

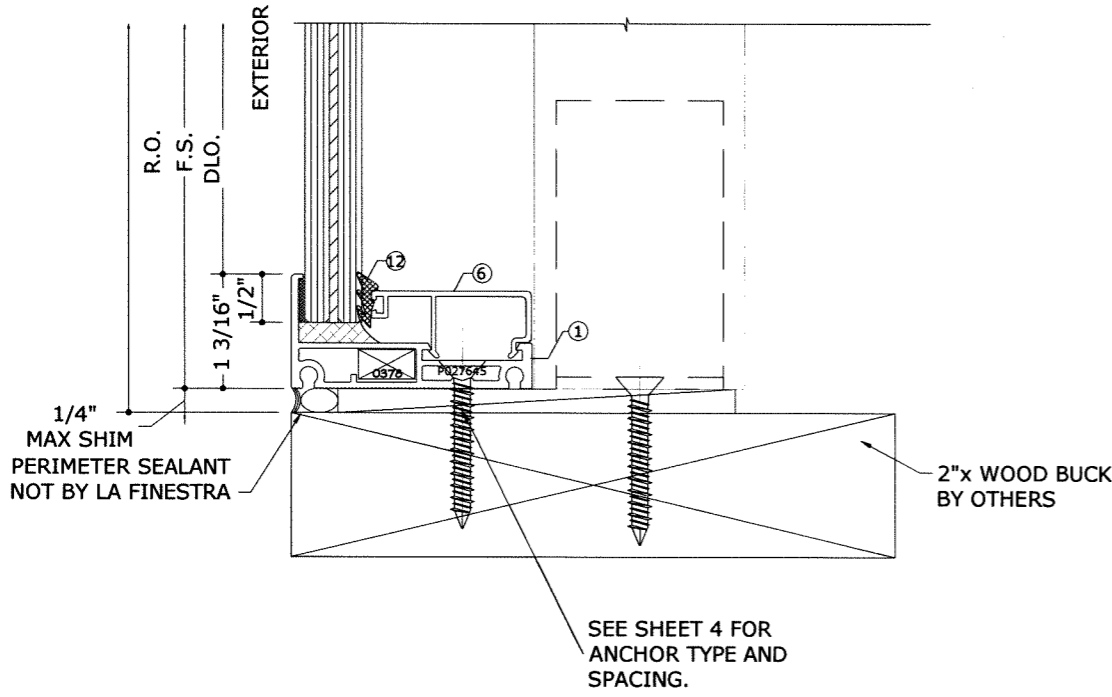
COPYRIGHT ENGINEERING EXPRESS®
15-2573

SCALE: NTS UNLESS NOTED

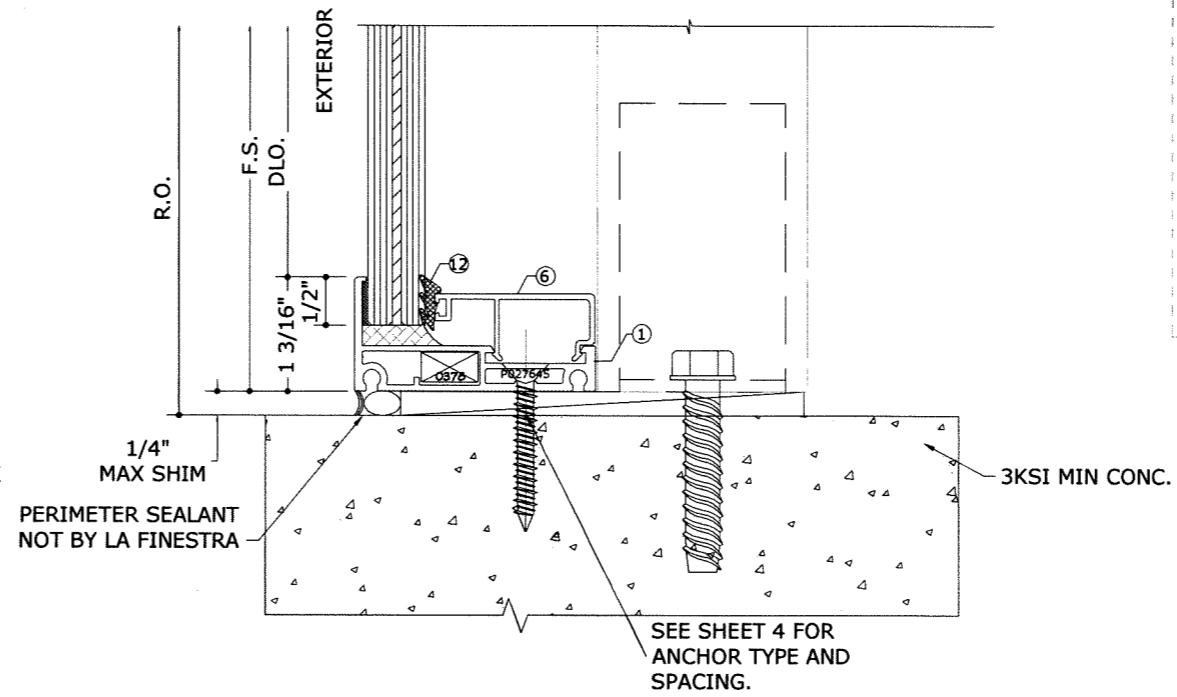
C:\Users\joem\appdata\local\temp\AcPublish_4064115-2573_Cad for FL approval.dwg

joem

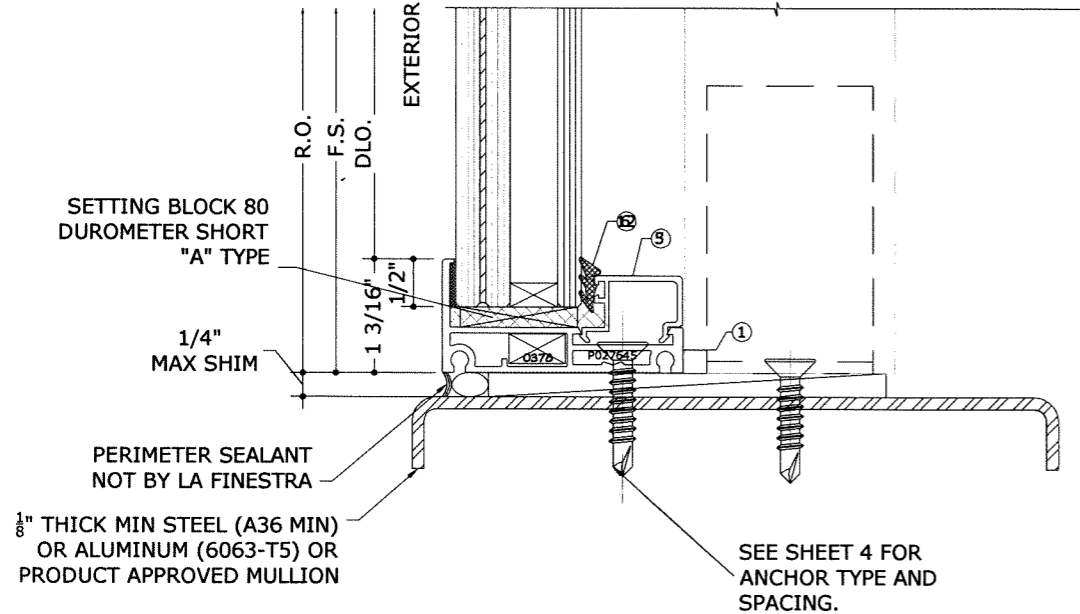
08/26/2016 - 8:46pm



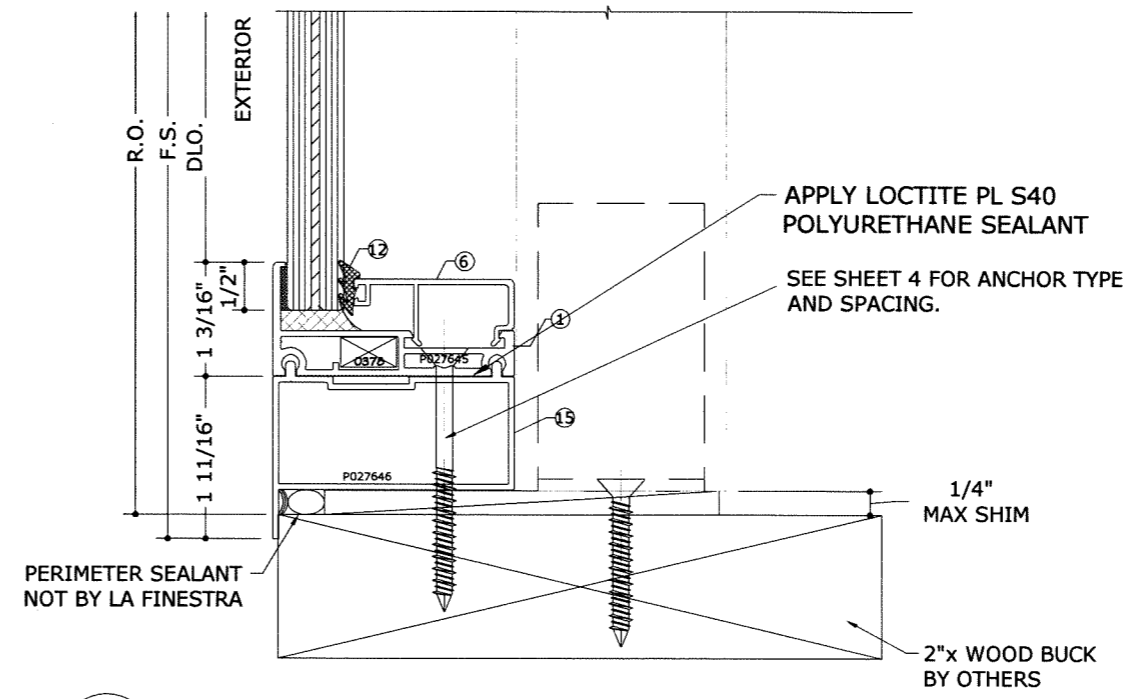
2 SILL INTO WOOD
8 6" = 1'-0"



2 SILL INTO CONCRETE
8 6" = 1'-0"

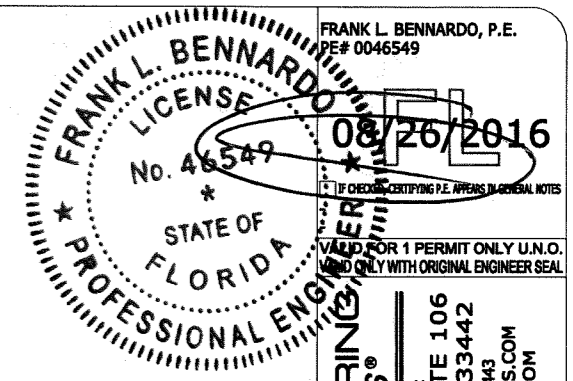


2 SILL INTO METAL
8 6" = 1'-0"



2A SILL INTO WOOD W/ EXTENSION (OPTIONAL)
8 6" = 1'-0"

NOTE:
WOOD BUCKS AND METAL STRUCTURES NOT BY LA FINESTRA MUST SUSTAIN LOADS IMPOSED BY GLAZING SYSTEM AND TRANSFER THEM TO THE BUILDING STRUCTURE.



ENGINEERING EXPRESS®
CORPORATE OFFICE:
160 SW 12th AVE, SUITE 106
DEERFIELD BEACH, FL 33442
P: (954) 354-0660 F: (954) 354-0443
E: HELLO@ENGINEERINGEXPRESS.COM
ENGINEERINGEXPRESS.COM
CERT OF AUTH #9885

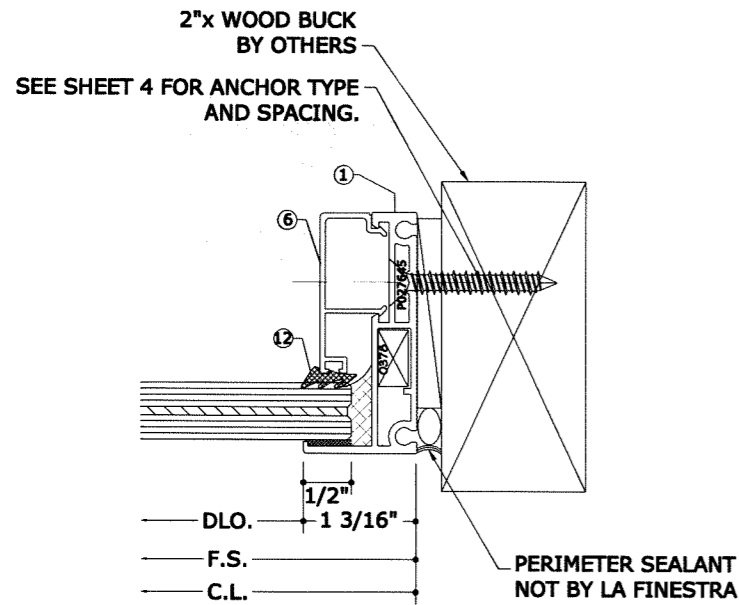
LA FINESTRA, LC
2790 NW 104TH COURT
DORAL, FL
(305) 599-8093
PREGLAZED WINDOW WALL
FLORIDA PRODUCT APPROVAL
FL18507.1-R2

DRWN	CHKD	DATE
SSQ	FLB	08/31/15
SSQ	FLB	12/18/15
JEM	FLB	08/28/16

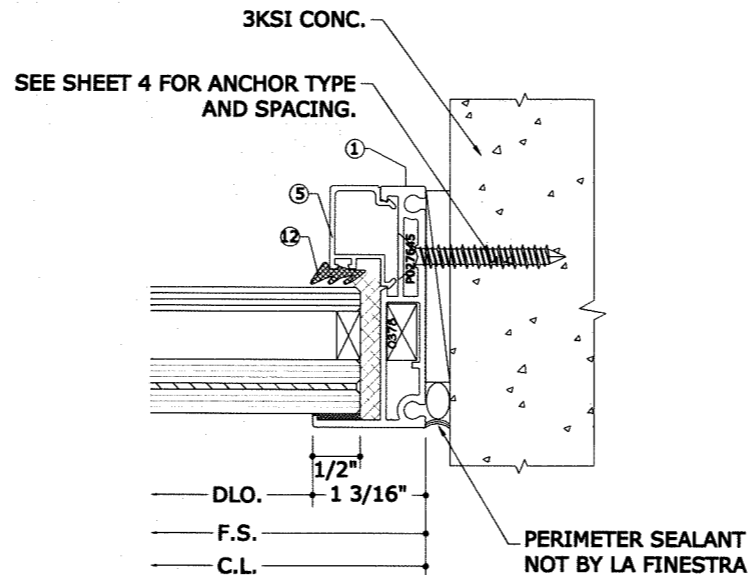
REMARKS
INIT ISSUE
REV1
REV2

THIS DOCUMENT IS THE PROPERTY OF ENGINEERING EXPRESS. IT IS TO BE USED ONLY FOR THE PROJECT AND WITHOUT THE WRITTEN CONSENT OF ENGINEERING EXPRESS. ALTERATIONS, ADDITIONS OR OTHER MARKINGS TO THIS DOCUMENT ARE NOT PERMITTED AND INVALIDATE OUR CERTIFICATION.

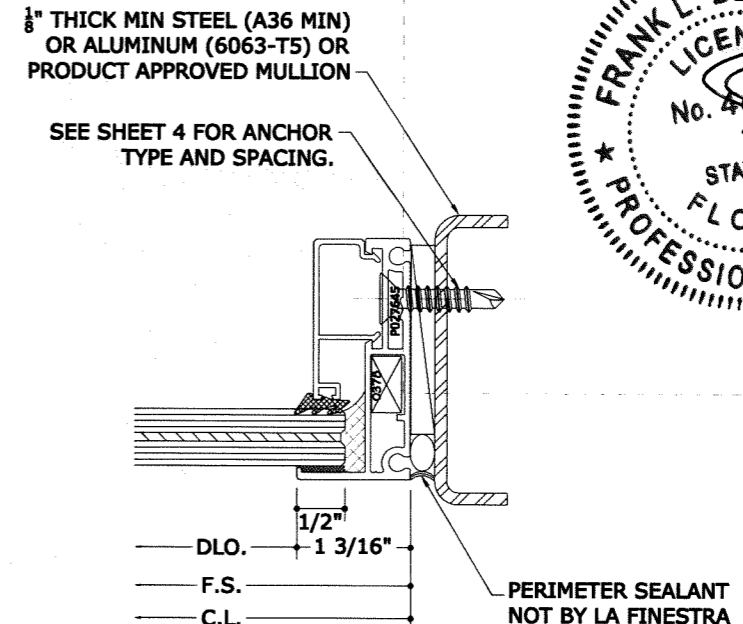
COPYRIGHT ENGINEERING EXPRESS®
15-2573
SCALE: NTS UNLESS NOTED
OF 34



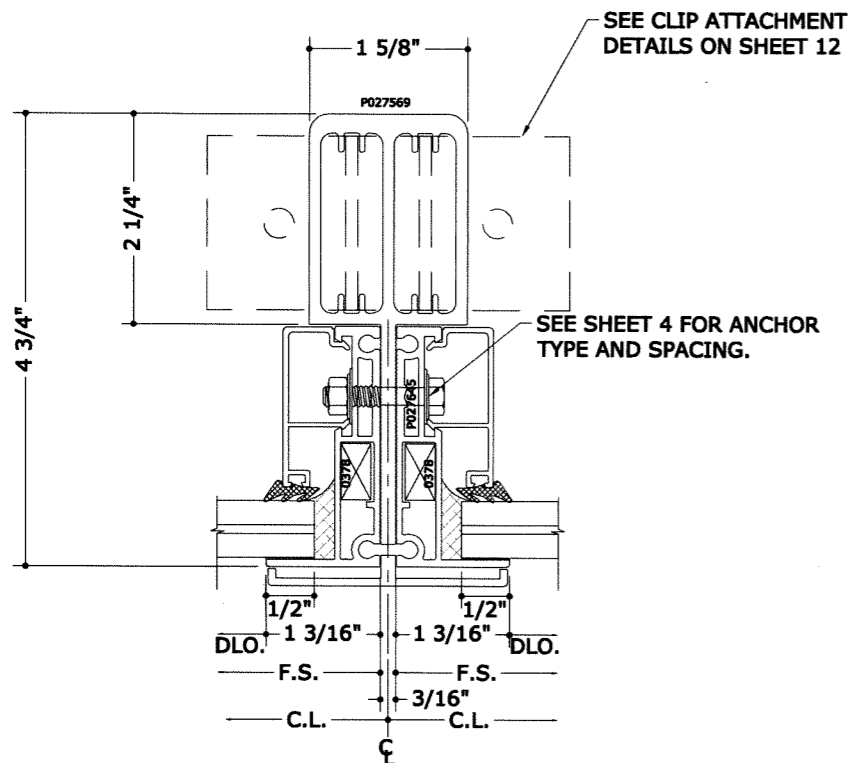
3 JAMB INTO WOOD
9 6" = 1'-0"



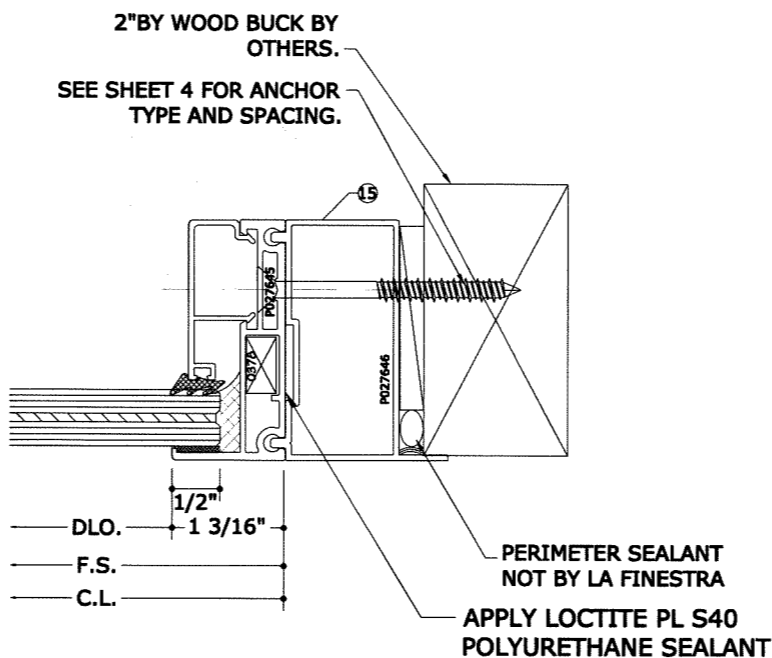
3 JAMB INTO CONC
9 6" = 1'-0"



3 JAMB INTO METAL
9 6" = 1'-0"

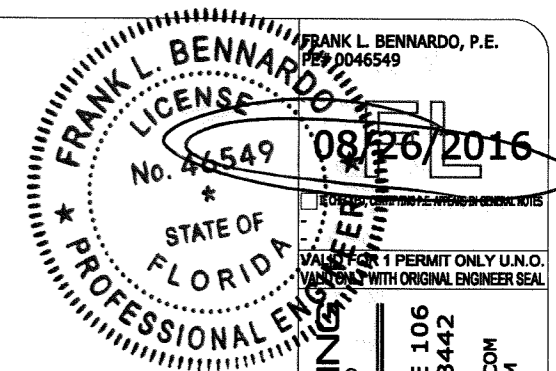


4 VERTICAL INTERMEDIATE DETAIL
9 6" = 1'-0"



4A JAMB INTO WOOD W/ EXTENSION
9 6" = 1'-0"

NOTE:
 WOOD BUCKS AND METAL STRUCTURES NOT BY LA FINESTRA MUST SUSTAIN LOADS IMPOSED BY GLAZING SYSTEM AND TRANSFER THEM TO THE BUILDING STRUCTURE.



ENGINEERING EXPRESS®
 CORPORATE OFFICE:
 160 SW 12th AVE, SUITE 106
 DEERFIELD BEACH, FL 33442
 P: (954) 354-0660 F: (954) 354-0443
 E: HELLO@ENGINEERINGEXPRESS.COM
 ENGINEERINGEXPRESS.COM
 CERT OF AUTH #9885

LA FINESTRA, LC
 2790 NW 104TH COURT
 DORAL, FL
 (305) 599-8093
 PREGLAZED WINDOW WALL
 FLORIDA PRODUCT APPROVAL
 FL18507.1-R2

REMARKS	DRWN	CHKD	DATE
INIT ISSUE	SSQ	FLB	08/31/15
REV1	SSQ	FLB	12/18/15
REV2	JEM	FLB	08/26/16

THIS DOCUMENT IS THE PROPERTY OF ENGINEERING EXPRESS AND SHALL NOT BE REPRODUCED IN WHOLE OR PART WITHOUT WRITTEN CONSENT OF ENGINEERING EXPRESS. ALTERATIONS, ADDITIONS, OR OTHER MARKINGS TO THIS DOCUMENT ARE NOT PERMITTED AND INVALIDATE OUR CERTIFICATION.

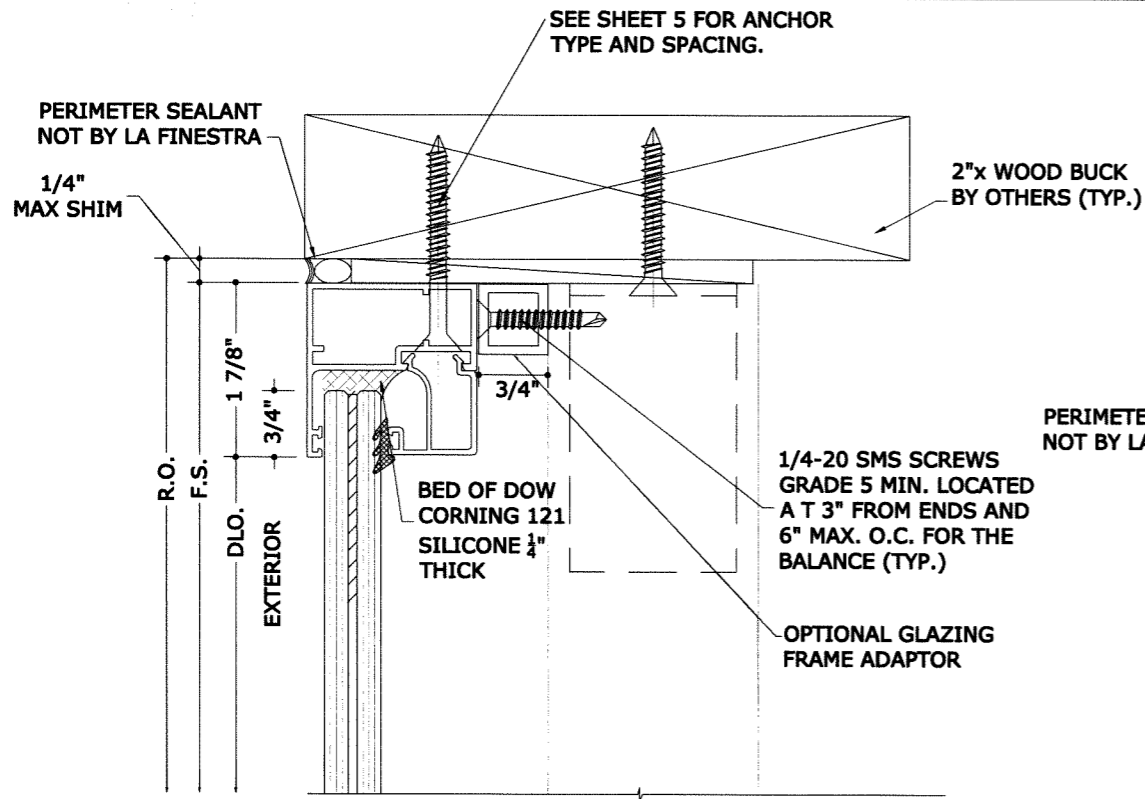
COPYRIGHT ENGINEERING EXPRESS®
15-2573
 SCALE: NTS UNLESS NOTED

C:\Users\joem\appdata\localtemp\AcPublish_4064115-2573_Cad for FL approval.dwg joem 08/26/2016 - 8:47pm

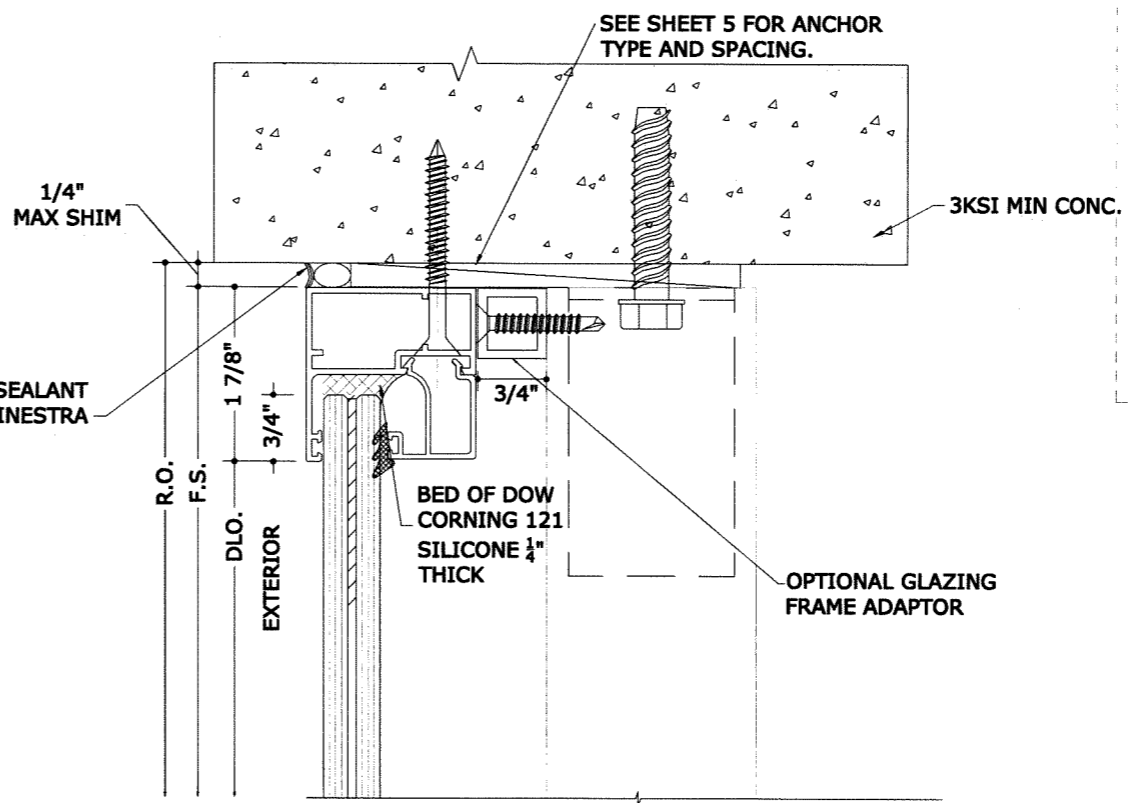
C:\Users\joem\appdata\local\temp\AcPublish_4064115-2573_Cad for FL approval.dwg

joem

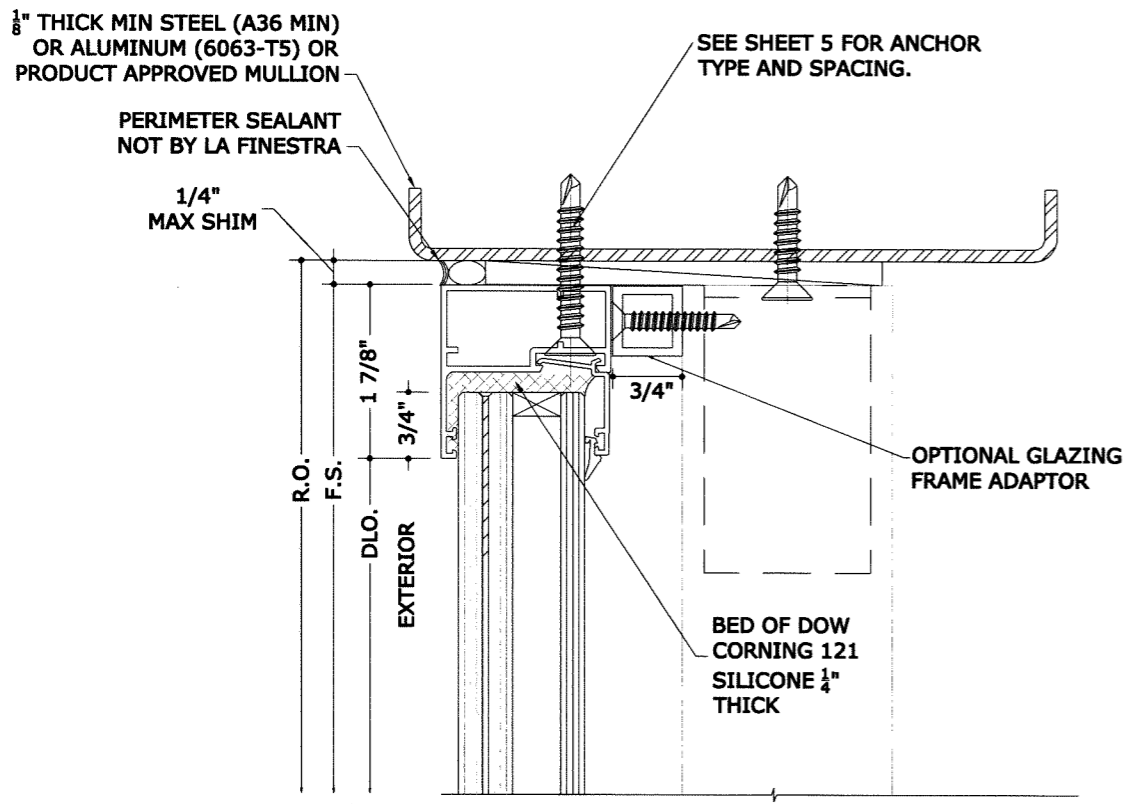
08/26/2016 - 8:47pm



1 HEADER INTO WOOD
10 6" = 1'-0"



1 HEADER INTO CONCRETE
10 6" = 1'-0"



1 HEADER INTO METAL
10 6" = 1'-0"

FRANK L. BENNARDO, P.E.
 PE# 0046549
 LICENSE No. 46549
 STATE OF FLORIDA
 PROFESSIONAL ENGINEER
 08/26/2016

ENGINEERING EXPRESS
 CORPORATE OFFICE:
 160 SW 12th AVE, SUITE 106
 DEERFIELD BEACH, FL 33442
 P: (954) 354-0660 F: (954) 354-0443
 E: HELLO@ENGINEERINGEXPRESS.COM
 ENGINEERINGEXPRESS.COM
 CERT OF AUTH #9885

LA FINESTRA, LC
 2790 NW 104TH COURT
 DORAL, FL
 (305) 599-8093
 PREGLAZED WINDOW WALL
 FLORIDA PRODUCT APPROVAL
 FL18507.1-R2

REMARKS	DRWN	CHKD	DATE
INIT ISSUE	SSQ	FLB	08/31/15
REV1	SSQ	FLB	12/18/15
REV2	JEM	FLB	08/26/16

THIS DOCUMENT IS THE PROPERTY OF ENGINEERING EXPRESS, AND SHALL NOT BE REPRODUCED IN WHOLE OR PART WITHOUT WRITTEN CONSENT OF ENGINEERING EXPRESS. ALTERATIONS, ADDITIONS, OR OTHER MARKINGS TO THIS DOCUMENT ARE NOT PERMITTED AND INVALIDATE OUR CERTIFICATION.

COPYRIGHT ENGINEERING EXPRESS®

15-2573

SCALE: NTS UNLESS NOTED

OF 34

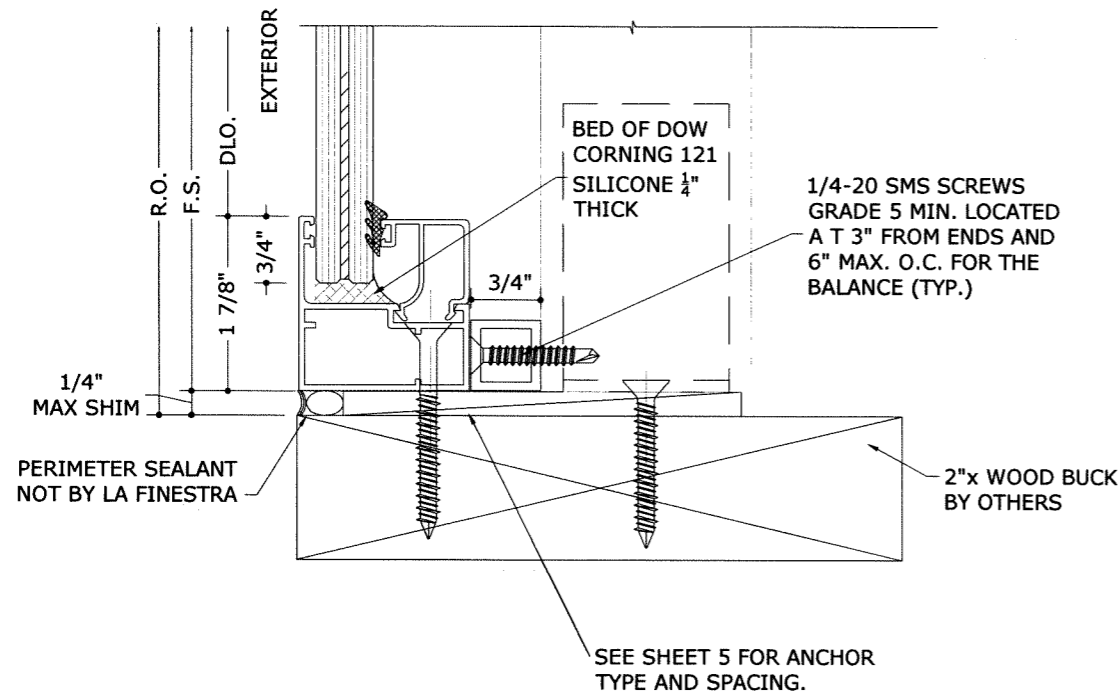
10

NOTE:
 WOOD BUCKS AND METAL STRUCTURES NOT BY LA FINESTRA MUST SUSTAIN LOADS IMPOSED BY GLAZING SYSTEM AND TRANSFER THEM TO THE BUILDING STRUCTURE.

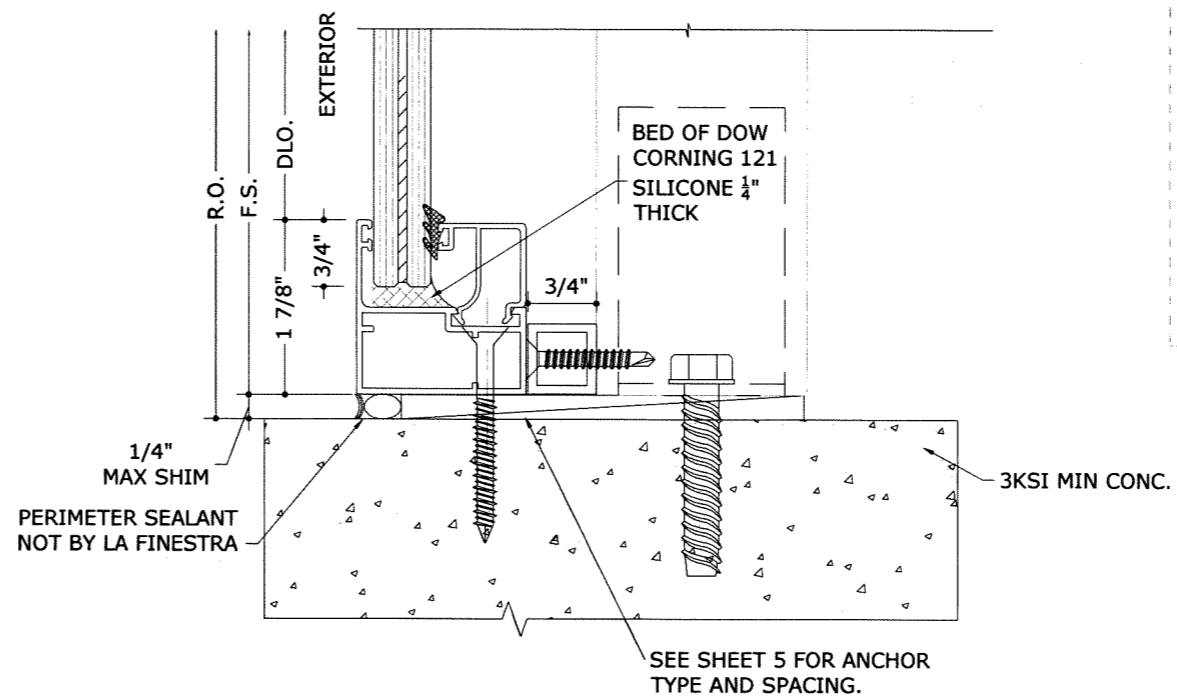
C:\Users\joem\appdata\local\temp\AcPublish_4064115-2573_Cad for FL approval.dwg

joem

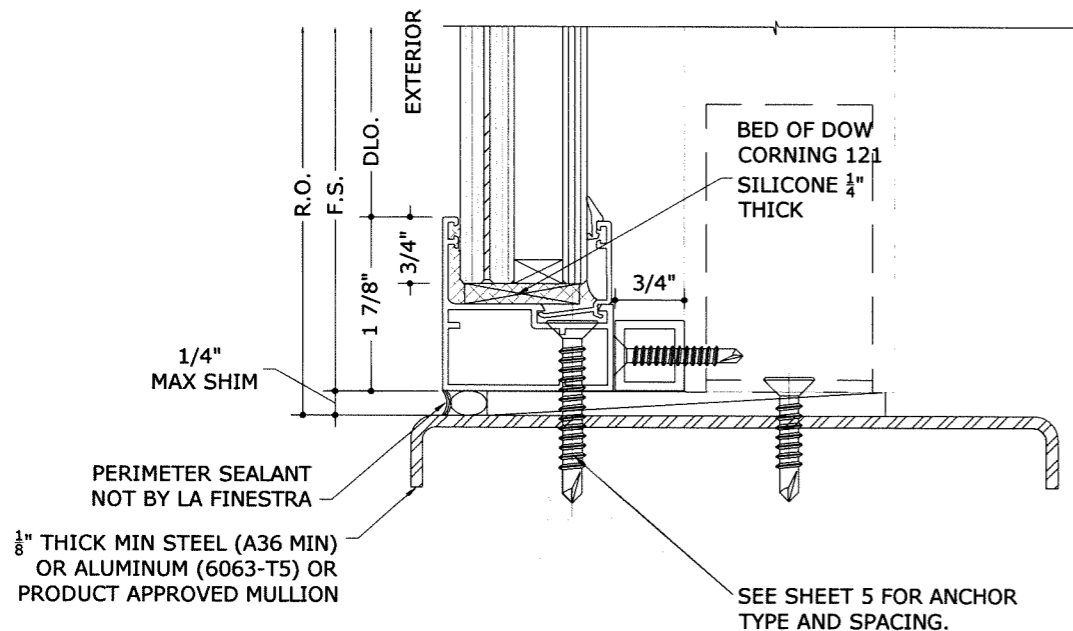
08/26/2016 - 8:47pm



2 SILL INTO WOOD
11 6" = 1'-0"

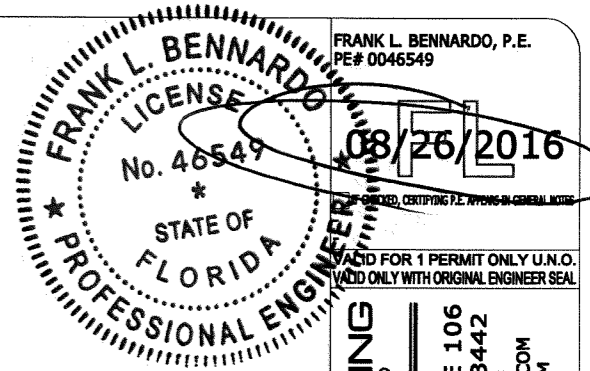


2 SILL INTO CONCRETE
11 6" = 1'-0"



2 SILL INTO METAL
11 6" = 1'-0"

NOTE:
WOOD BUCKS AND METAL STRUCTURES NOT BY LA FINESTRA MUST SUSTAIN LOADS IMPOSED BY GLAZING SYSTEM AND TRANSFER THEM TO THE BUILDING STRUCTURE.



VALID FOR 1 PERMIT ONLY U.N.O. NOT VALID ONLY WITH ORIGINAL ENGINEER SEAL

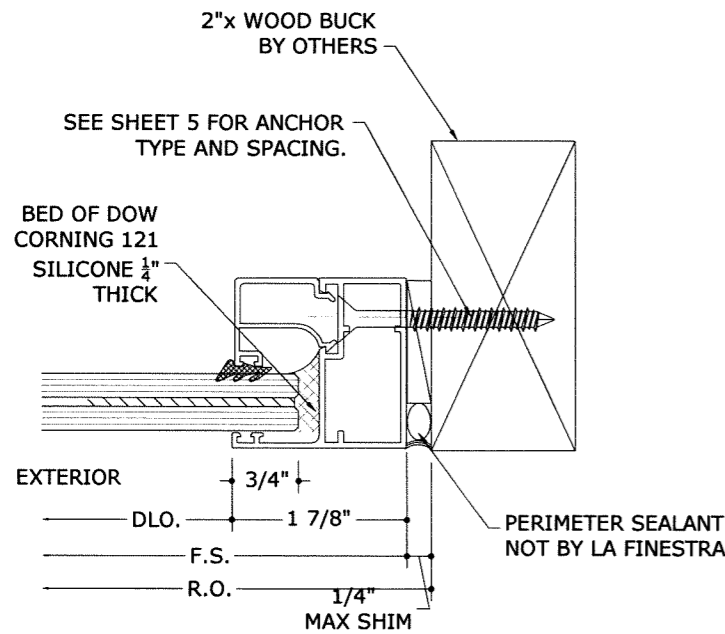
ENGINEERING EXPRESS®
CORPORATE OFFICE:
160 SW 12th AVE, SUITE 106
DEERFIELD BEACH, FL 33442
P: (954) 354-0660 F: (954) 354-0443
E: HELLO@ENGINEERINGEXPRESS.COM
ENGINEERINGEXPRESS.COM
CERT OF AUTH #9885

LA FINESTRA, LC
2790 NW 104TH COURT
DORAL, FL
(305) 599-8093
PREGLAZED WINDOW WALL
FLORIDA PRODUCT APPROVAL
FL18507.1-R2

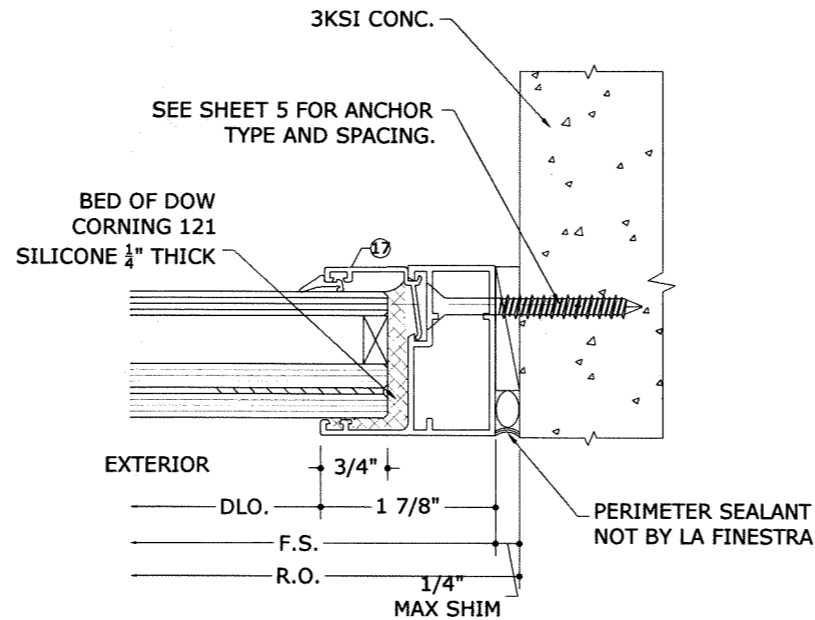
REMARKS	DRWN	CHKD	DATE
INIT ISSUE	SSQ	FLB	08/31/15
REV1	SSQ	FLB	12/16/15
REV2	JEM	FLB	08/26/16

THIS DOCUMENT IS THE PROPERTY OF ENGINEERING EXPRESS AND SHALL NOT BE REPRODUCED IN WHOLE OR PART WITHOUT WRITTEN CONSENT OF ENGINEERING EXPRESS. ALTERATIONS, ADDITIONS, OR OTHER MARKINGS TO THIS DOCUMENT ARE NOT PERMITTED AND INVALIDATE OUR CERTIFICATION.

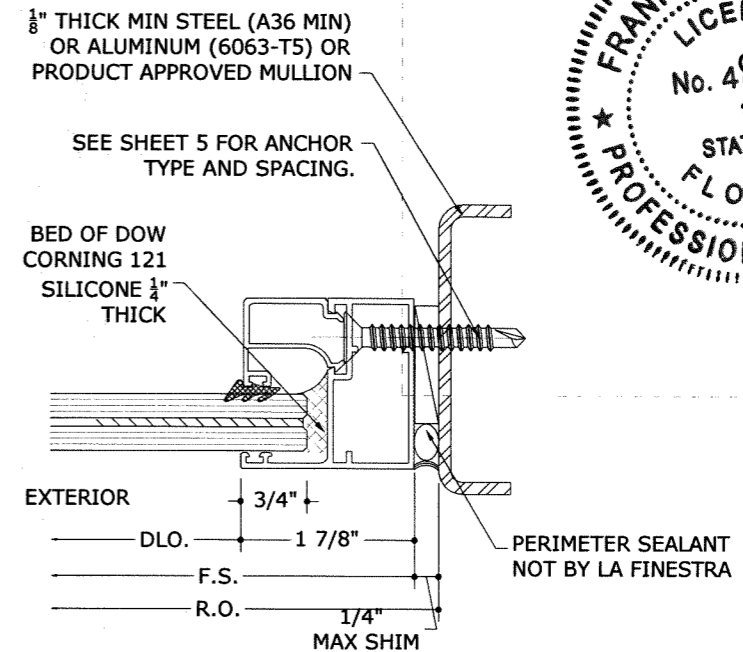
COPYRIGHT ENGINEERING EXPRESS®
15-2573
SCALE: NTS UNLESS NOTED
11 of **34**



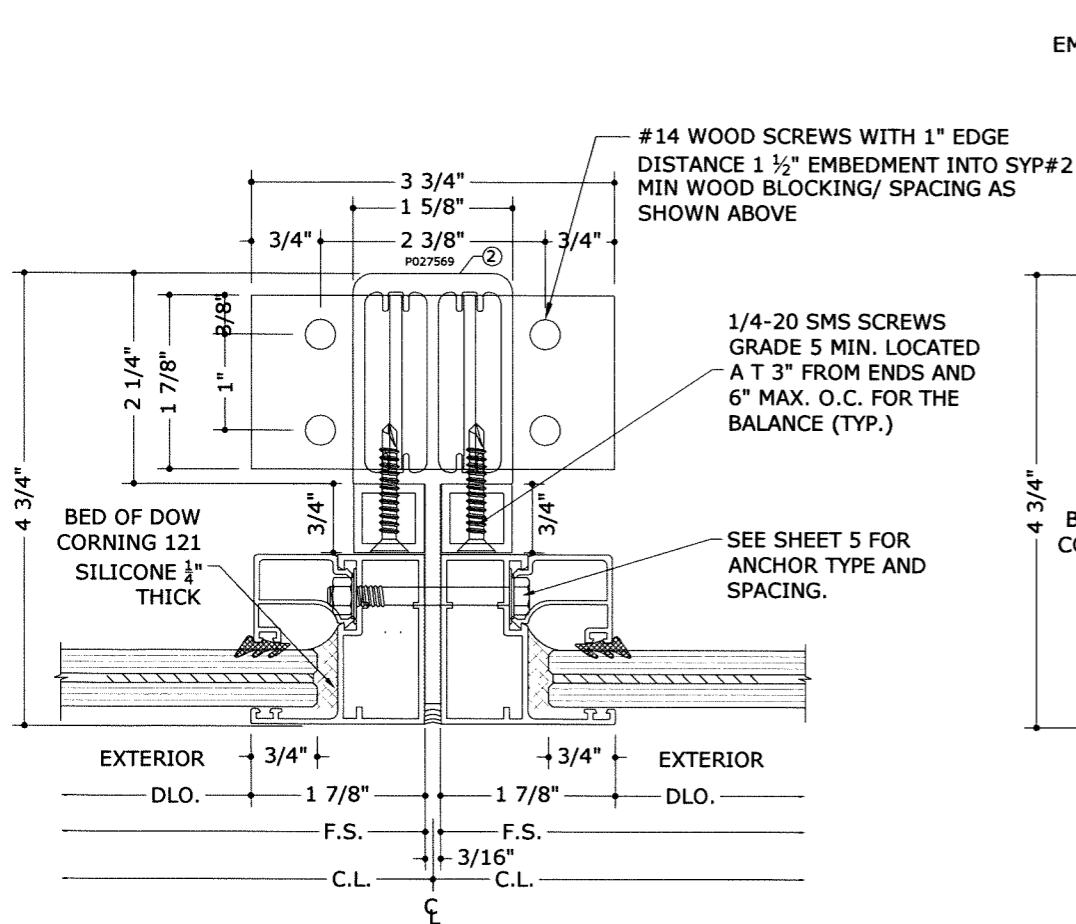
3 JAMB INTO WOOD
12 6" = 1'-0"



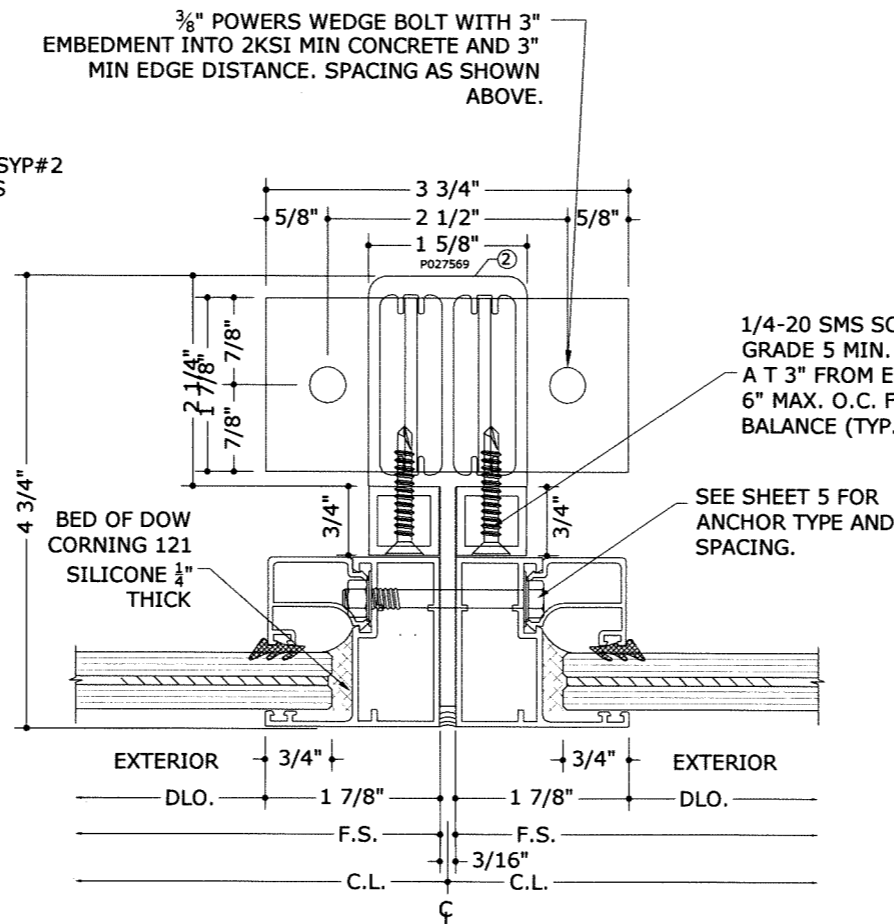
3 JAMB INTO CONC
12 6" = 1'-0"



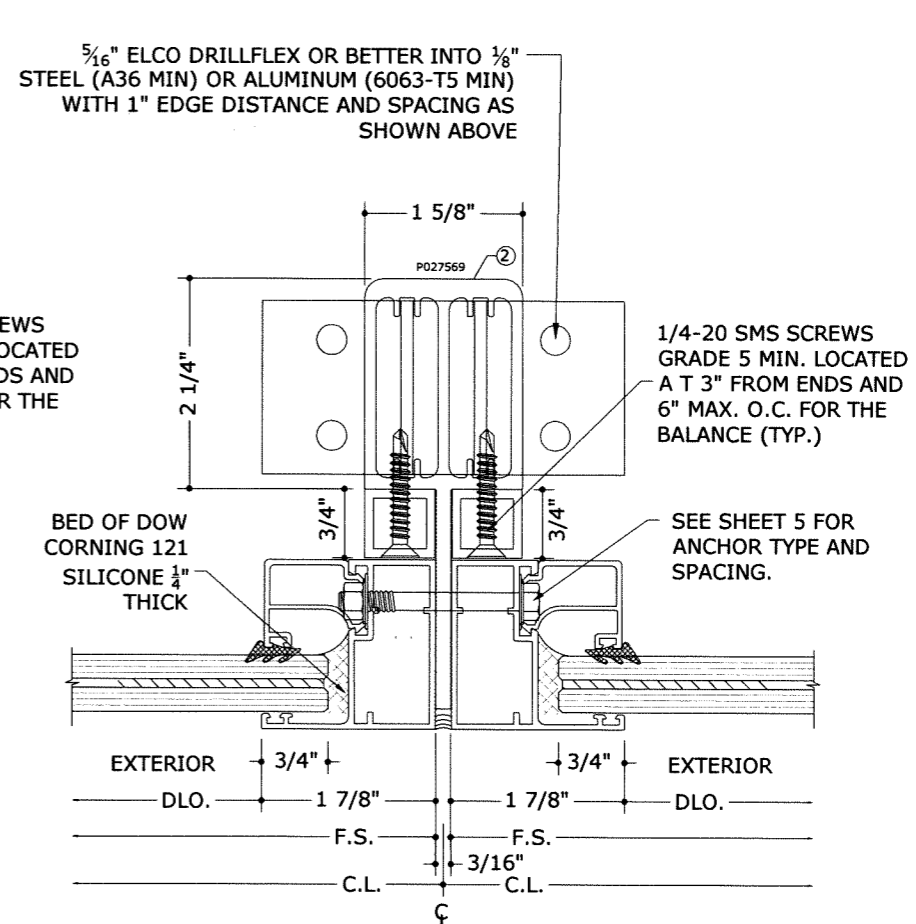
3 JAMB INTO METAL
12 6" = 1'-0"



4 VERTICAL INTERMEDIATE DETAIL
12 6" = 1'-0" WOOD ANCHORING
small mull



4 VERTICAL INTERMEDIATE DETAIL
12 6" = 1'-0" CONC ANCHORING
small mull



4 VERTICAL INTERMEDIATE DETAIL
12 6" = 1'-0" METAL ANCHORING
small mull

FRANK L. BENNARDO, P.E.
LICENSE No. 48649
08/26/2016
STATE OF FLORIDA
PROFESSIONAL ENGINEER

ENGINEERING EXPRESS®
CORPORATE OFFICE:
160 SW 12th AVE, SUITE 106
DEERFIELD BEACH, FL 33442
P: (954) 354-0660 F: (954) 354-0443
E: HELLO@ENGINEERINGEXPRESS.COM
ENGINEERINGEXPRESS.COM
CERT OF AUTH #9885

LA FINESTRA, LC
2790 NW 104TH COURT
DORAL, FL
(305) 599-8093
PREGLAZED WINDOW WALL
FLORIDA PRODUCT APPROVAL
FL18507.1-R2

DRWN	CHKD	DATE
SSQ	FLB	08/31/15
SSQ	FLB	12/16/15
JEM	FLB	08/26/16

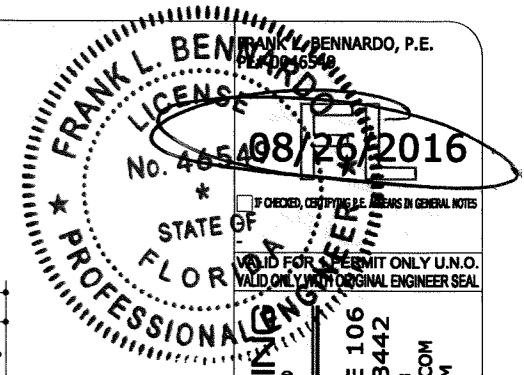
REMARKS
REV1
REV2

THIS DOCUMENT IS THE PROPERTY OF ENGINEERING EXPRESS AND SHALL NOT BE REPRODUCED IN WHOLE OR PART WITHOUT WRITTEN CONSENT OF ENGINEERING EXPRESS. ALTERATIONS, ADDITIONS, OR OTHER MARKINGS TO THIS DOCUMENT ARE NOT PERMITTED AND INVALIDATE OUR CERTIFICATION.

15-2573
SCALE: NTS UNLESS NOTED
12 of 34

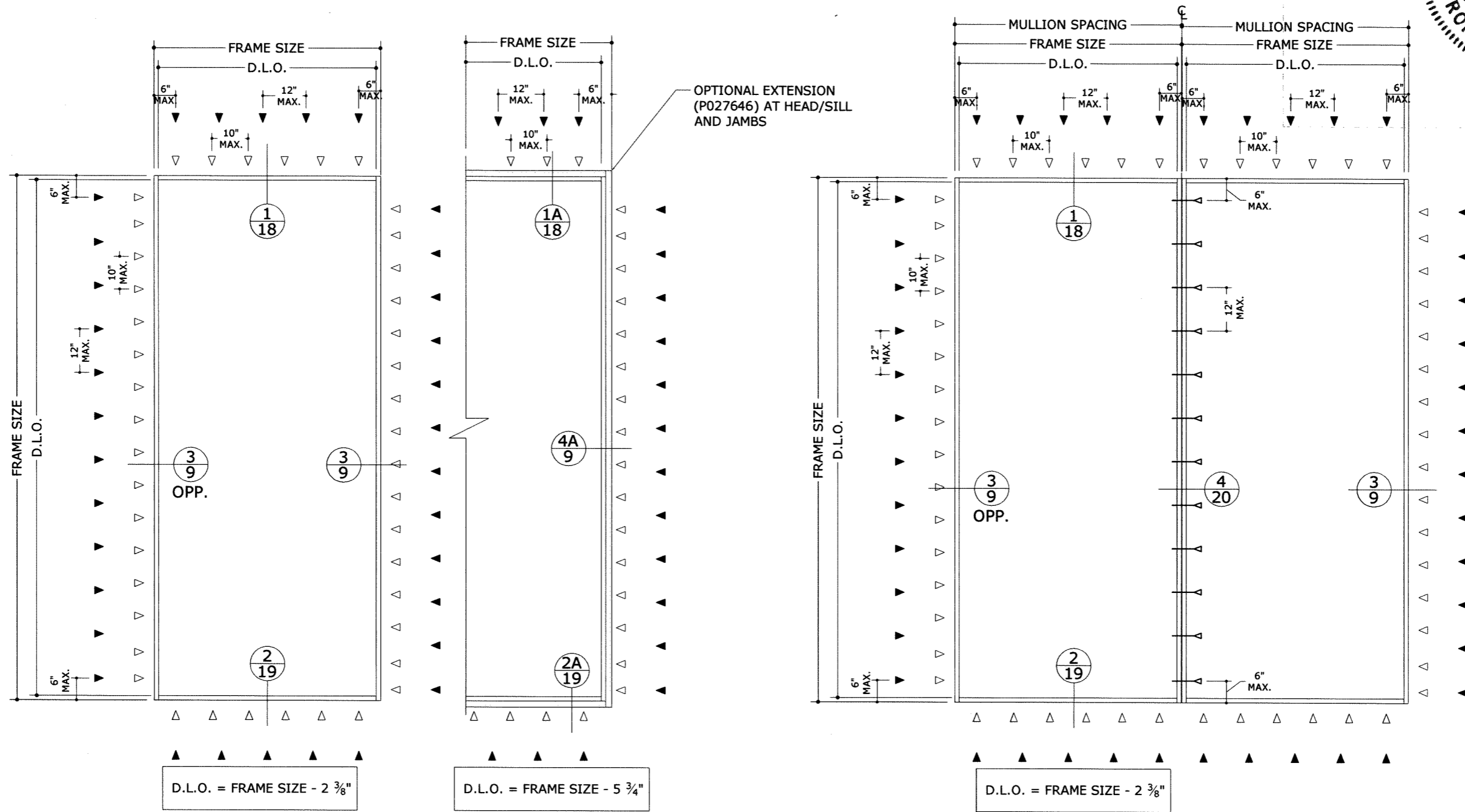
C:\Users\joem\appdata\local\temp\AcPublish_4064115-2573_Cad for FL approval.dwg
joem
08/26/2016 - 8:47pm

P027645 FRAME - LARGE MULLION



ENGINEERING EXPRESS
 CORPORATE OFFICE:
 160 SW 12th AVE, SUITE 106
 DEERFIELD BEACH, FL 33442
 P: (954) 354-0660 F: (954) 354-0443
 E: HELLO@ENGINEERINGEXPRESS.COM
 ENGINEERINGEXPRESS.COM
 CERT OF AUTH #9885

LA FINESTRA, LC
 2790 NW 104TH COURT
 DORAL, FL
 (305) 599-8093
 PREGLAZED WINDOW WALL
 FLORIDA PRODUCT APPROVAL
 FL18507.1-R2



ANCHOR TYPES

- ▲ 1/4" THRU-BOLT WITH FENDER WASHERS AND NUT
- ▼ 5/16" ULTRACON BY ELCO (Fu=177 KSI Fy= 155 KSI) WITH 1 3/4" MIN. EMBEDMENT INTO 3000 Psi. CONCRETE MIN. AND 2 3/16" MIN. EDGE DISTANCE.
- ▼ 1/4"-20 SMS SCREWS GRADE 5 MIN. (Fu= 120 KSI Fy= 155 KSI) WITH 5 PINCHES MIN. PASS THE THREAD PLANE AND 1" MIN. EDGE DISTANCE INTO 1/8" MIN. THICK ALUMINUM (6063-T5 MIN.) OR 1/8" MIN THICK STEEL (A-36 MIN.)
- ▽ 5/16" ULTRACON BY ELCO (Fu=177 KSI Fy= 155 KSI) INTO 2BY WOOD BUCK (SYP#2 G= 0.55 MIN) WITH 1 1/2" MIN. ENGAGEMENT INTO WOOD AND 1" MIN. EDGE DISTANCE.

TYPICAL ELEVATIONS

NOTE:
 SIZES ARE THE MAXIMUM ALLOWED UNLESS ADDRESSED SEPARATELY UNDER SITE SPECIFIC ENGINEERING PER FLORIDA BUILDING CODE 2411.3.2.4 1710.3.1

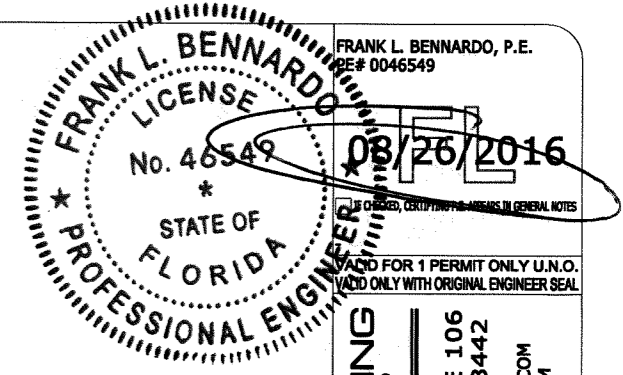
NOTE:
 FOR PRESSURES USING TESTED MULLIONS SEE CHARTS ON SHEETS 15, 16 & 17

REMARKS	DRWN	CHKD	DATE
INIT ISSUE	SSQ	FLB	08/31/15
REV1	SSQ	FLB	12/18/15
REV2	JEM	FLB	08/28/16

THIS DOCUMENT IS THE PROPERTY OF ENGINEERING EXPRESS AND SHALL NOT BE REPRODUCED IN WHOLE OR PART WITHOUT WRITTEN CONSENT OF ENGINEERING EXPRESS. ALTERATIONS, ADDITIONS, OR OTHER MARKINGS TO THIS DOCUMENT ARE NOT PERMITTED AND INVALIDATE OUR CERTIFICATION.

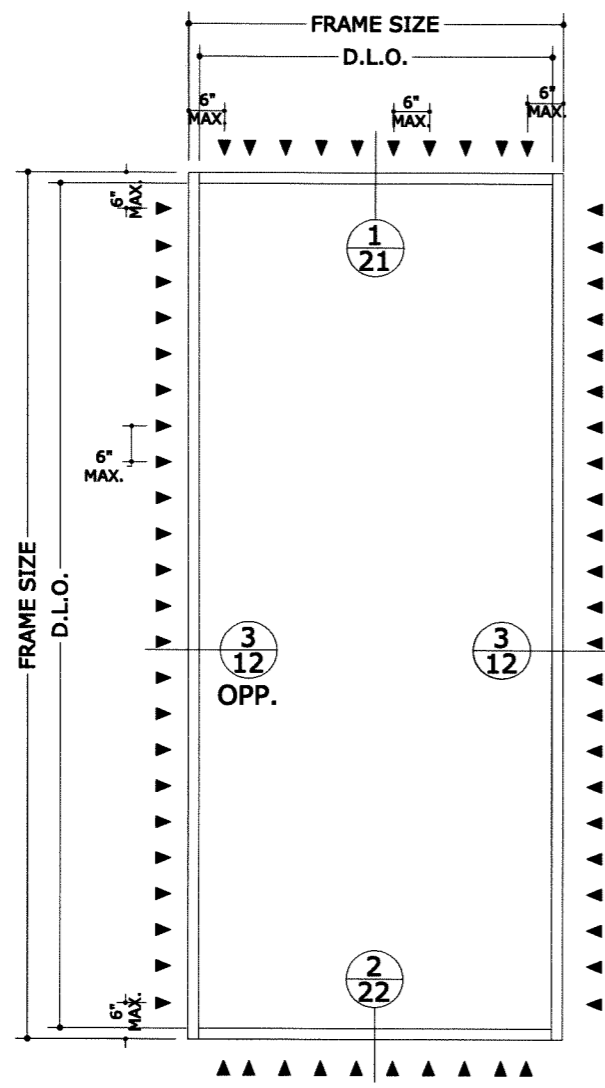
COPYRIGHT ENGINEERING EXPRESS®
15-2573
 SCALE: NTS UNLESS NOTED

7013 FRAME - LARGE MULLION

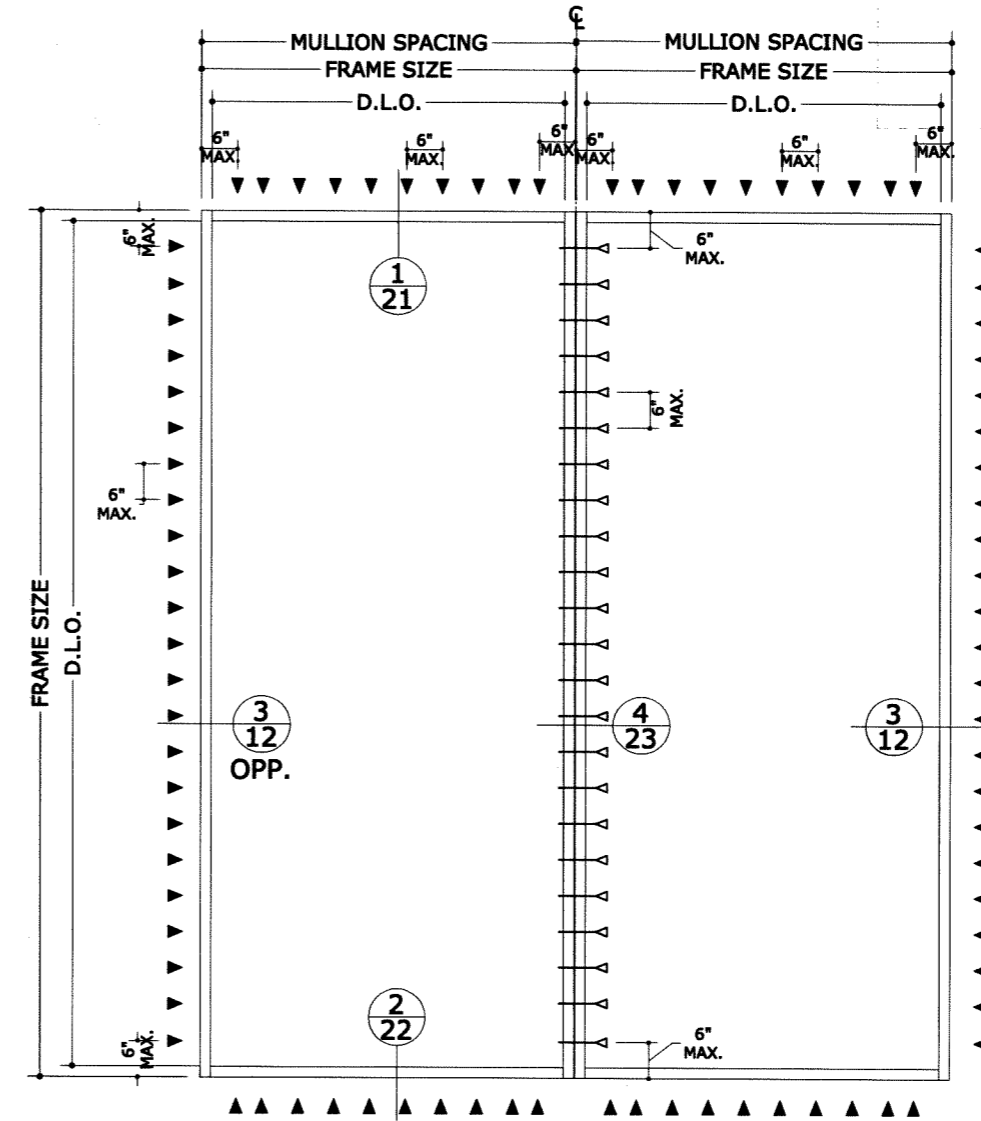


ENGINEERING EXPRESS®
 CORPORATE OFFICE:
 160 SW 12th AVE, SUITE 106
 DEERFIELD BEACH, FL 33442
 P: (954) 354-0660 F: (954) 354-0443
 E: HELLO@ENGINEERINGEXPRESS.COM
 CERT OF AUTH #9885

LA FINESTRA, LC
 2790 NW 104TH COURT
 DORAL, FL
 (305) 599-8093
 PREGLAZED WINDOW WALL
 FLORIDA PRODUCT APPROVAL
 FL18507.1-R2



D.L.O. = FRAME SIZE - 3 5/8"



D.L.O. = FRAME SIZE - 3 5/8"

ANCHOR TYPES

- ▲ 1/4" THRU-BOLT WITH FENDER WASHERS AND NUT
- ▼ 5/16" ULTRACON BY ELCO (Fu=177 KSI Fy= 155 KSI) WITH 1 3/4" MIN. EMBEDMENT INTO 3000 PSI. CONCRETE MIN. AND 2 3/16" MIN. EDGE DISTANCE.
- ▼ 1/4-20 SMS SCREWS GRADE 5 MIN. (Fu= 120 KSI Fy= 155 KSI) WITH 5 PINCHES MIN. PASS THE THREAD PLANE AND 1" MIN. EDGE DISTANCE INTO 1/8" MIN. THICK ALUMINUM (6063-T5 MIN.) OR 1/8" MIN THICK STEEL (A-36 MIN.)
- ▼ 5/16" ULTRACON BY ELCO (Fu=177 KSI Fy= 155 KSI) INTO 2BY WOOD BUCK (SYP#2 G= 0.55 MIN) WITH 1 1/2" MIN. ENGAGEMENT INTO WOOD AND 1" MIN. EDGE DISTANCE.

TYPICAL ELEVATIONS

NOTE:
 SIZES ARE THE MAXIMUM ALLOWED UNLESS ADDRESSED SEPARATELY UNDER SITE SPECIFIC ENGINEERING PER FLORIDA BUILDING CODE 2411.3.2.4 1710.3.1

NOTE:
 FOR PRESSURES USING TESTED MULLIONS
 SEE CHARTS ON SHEETS 15, 16 & 17

REMARKS	DRWN	CHKD	DATE
INIT ISSUE	SSQ	FLB	08/31/15
REV1	SSQ	FLB	12/18/15
REV2	JEM	FLB	08/28/16

THIS DOCUMENT IS THE PROPERTY OF ENGINEERING EXPRESS AND SHALL NOT BE REPRODUCED IN WHOLE OR PART WITHOUT WRITTEN CONSENT OF ENGINEERING EXPRESS. ALTERATIONS, ADDITIONS, OR OTHER MARKINGS TO THIS DOCUMENT ARE NOT PERMITTED AND INVALIDATE OUR CERTIFICATION.

COPYRIGHT ENGINEERING EXPRESS®
15-2573
 SCALE: NTS UNLESS NOTED
 14 OF 34

MULLION DESIGN CAPACITY (PSF)					
NOMINAL DIMS		LARGE NON-REINF		LARGE REINFORCED	
WIDTH	HEIGHT	(+) P.S.F.	(-) P.S.F.	(+) P.S.F.	(-) P.S.F.
36"	48"	+120	-120	+120	-120
42"		+120	-120	+120	-120
46"		+120	-120	+120	-120
48.5"		+120	-120	+120	-120
54"		+120	-120	+120	-120
60.25"		+120	-120	+120	-120
62.375"		+120	-120	+120	-120
66"		+120	-120	+120	-120
72"		+120	-120	+120	-120
78"		+120	-120	+120	-120
84"		+120	-120	+120	-120
90"		+120	-120	+120	-120
96"		+120	-120	+120	-120
102"		+120	-120	+120	-120
108"		+120	-120	+120	-120
114"		+120	-120	+120	-120
120"		+120	-120	+120	-120
126"		+120	-120	+120	-120
132"	+120	-120	+120	-120	
138"	+120	-120	+120	-120	
144"	+120	-120	+120	-120	
150"	+120	-120	+120	-120	
156"	+120	-120	+120	-120	

MULLION DESIGN CAPACITY (PSF)					
NOMINAL DIMS		LARGE NON-REINF		LARGE REINFORCED	
WIDTH	HEIGHT	(+) P.S.F.	(-) P.S.F.	(+) P.S.F.	(-) P.S.F.
36"	60"	+120	-120	+120	-120
42"		+120	-120	+120	-120
46"		+120	-120	+120	-120
48.5"		+120	-120	+120	-120
54"		+120	-120	+120	-120
60.25"		+120	-120	+120	-120
62.375"		+120	-120	+120	-120
66"		+120	-120	+120	-120
72"		+120	-120	+120	-120
78"		+120	-120	+120	-120
84"		+120	-120	+120	-120
90"		+120	-120	+120	-120
96"		+120	-120	+120	-120
102"		+120	-120	+120	-120
108"		+120	-120	+120	-120
114"		+120	-120	+120	-120
120"		+120	-120	+120	-120
126"		+120	-120	+120	-120
132"	+120	-120	+120	-120	
138"	+120	-120	+120	-120	
144"	+120	-120	+120	-120	
150"	+120	-120	+120	-120	
156"	+120	-120	+120	-120	

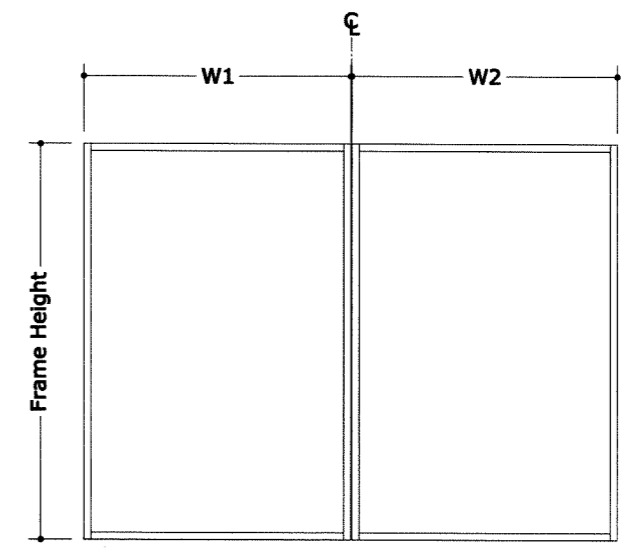
MULLION DESIGN CAPACITY (PSF)					
NOMINAL DIMS		LARGE NON-REINF		LARGE REINFORCED	
WIDTH	HEIGHT	(+) P.S.F.	(-) P.S.F.	(+) P.S.F.	(-) P.S.F.
36"	72"	+120	-120	+120	-120
42"		+120	-120	+120	-120
46"		+120	-120	+120	-120
48.5"		+120	-120	+120	-120
54"		+120	-120	+120	-120
60.25"		+120	-120	+120	-120
62.375"		+120	-120	+120	-120
66"		+120	-120	+120	-120
72"		+120	-120	+120	-120
78"		+120	-120	+120	-120
84"		+120	-120	+120	-120
90"		+120	-120	+120	-120
96"		+120	-120	+120	-120
102"		+120	-120	+120	-120
108"		+120	-120	+120	-120
114"		+120	-120	+120	-120
120"		+120	-120	+120	-120
126"		+120	-120	+120	-120
132"	+120	-120	+120	-120	
138"	+120	-120	+120	-120	
144"	+120	-120	+120	-120	
150"	+120	-120	+120	-120	
156"	+120	-120	+120	-120	

MULLION DESIGN CAPACITY (PSF)					
NOMINAL DIMS		LARGE NON-REINF		LARGE REINFORCED	
WIDTH	HEIGHT	(+) P.S.F.	(-) P.S.F.	(+) P.S.F.	(-) P.S.F.
36"	84"	+120	-120	+120	-120
42"		+120	-120	+120	-120
46"		+120	-119	+120	-120
48.5"		+120	-115	+120	-120
54"		+120	-109	+120	-120
60.25"		+120	-103	+120	-120
62.375"		+120	-101	+120	-120
66"		+120	-99	+120	-120
72"		+120	-97	+120	-120
78"		+120	-95	+120	-120
84"		+120	-95	+120	-120
90"		+120	-95	+120	-120
96"		+120	-95	+120	-120
102"		+120	-95	+120	-120
108"		+120	-95	+120	-120
114"		+120	-95	+120	-120
120"		+120	-95	+120	-120
126"		+120	-95	+120	-120
132"	+120	-95	+120	-120	
138"	+120	-95	+120	-120	
144"	+120	-95	+120	-120	
150"	+120	-95	+120	-120	
156"	+120	-95	+120	-120	

36"	54"	+120	-120	+120	-120
42"		+120	-120	+120	-120
46"		+120	-120	+120	-120
48.5"		+120	-120	+120	-120
54"		+120	-120	+120	-120
60.25"		+120	-120	+120	-120
62.375"		+120	-120	+120	-120
66"		+120	-120	+120	-120
72"		+120	-120	+120	-120
78"		+120	-120	+120	-120
84"		+120	-120	+120	-120
90"		+120	-120	+120	-120
96"		+120	-120	+120	-120
102"		+120	-120	+120	-120
108"		+120	-120	+120	-120
114"		+120	-120	+120	-120
120"		+120	-120	+120	-120
126"		+120	-120	+120	-120
132"	+120	-120	+120	-120	
138"	+120	-120	+120	-120	
144"	+120	-120	+120	-120	
150"	+120	-120	+120	-120	
156"	+120	-120	+120	-120	

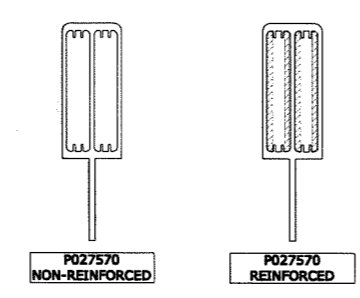
36"	66"	+120	-120	+120	-120
42"		+120	-120	+120	-120
46"		+120	-120	+120	-120
48.5"		+120	-120	+120	-120
54"		+120	-120	+120	-120
60.25"		+120	-120	+120	-120
62.375"		+120	-120	+120	-120
66"		+120	-120	+120	-120
72"		+120	-120	+120	-120
78"		+120	-120	+120	-120
84"		+120	-120	+120	-120
90"		+120	-120	+120	-120
96"		+120	-120	+120	-120
102"		+120	-120	+120	-120
108"		+120	-120	+120	-120
114"		+120	-120	+120	-120
120"		+120	-120	+120	-120
126"		+120	-120	+120	-120
132"	+120	-120	+120	-120	
138"	+120	-120	+120	-120	
144"	+120	-120	+120	-120	
150"	+120	-120	+120	-120	
156"	+120	-120	+120	-120	

36"	78"	+120	-120	+120	-120
42"		+120	-120	+120	-120
46"		+120	-120	+120	-120
48.5"		+120	-120	+120	-120
54"		+120	-120	+120	-120
60.25"		+120	-116	+120	-120
62.375"		+120	-114	+120	-120
66"		+120	-112	+120	-120
72"		+120	-110	+120	-120
78"		+120	-110	+120	-120
84"		+120	-110	+120	-120
90"		+120	-110	+120	-120
96"		+120	-110	+120	-120
102"		+120	-110	+120	-120
108"		+120	-110	+120	-120
114"		+120	-110	+120	-120
120"		+120	-110	+120	-120
126"		+120	-110	+120	-120
132"	+120	-110	+120	-120	
138"	+120	-110	+120	-120	
144"	+120	-110	+120	-120	
150"	+120	-110	+120	-120	
156"	+120	-110	+120	-120	



$$\text{WIDTH} = \frac{W1+W2}{2}$$

NOTE: FOR ALLOWABLE PRESSURES THE LOWEST PRESSURE RATING OF MULLION AND FIXED WINDOW SHALL APPLY.



FRANK RENARDO
 PE# 0046549
 LICENSE
 No 08/28/2016
 STATE OF FLORIDA
 PROFESSIONAL ENGINEER
 VALID ONLY WITH ORIGINAL MEMBER SEAL
 ENGINEERING EXPRESS®
 CORPORATE OFFICE:
 160 SW 12th AVE, SUITE 1906
 DEERFIELD BEACH, FL 33442
 P: (954) 354-0660 F: (954) 354-0443
 E: HELLO@ENGINEERINGEXPRESS.COM
 ENGINEERINGEXPRESS.COM
 CERT OF AUTH #9885

LA FINESTRA, LC
 2790 NW 104TH COURT
 DORAL, FL
 (305) 599-8093
 PREGLAZED WINDOW WALL
 FLORIDA PRODUCT APPROVAL
 FL18507.1-R2

DRWN	CHKD	DATE
SSQ	FLB	08/31/15
SSQ	FLB	12/18/15
JEM	FLB	08/26/16

REMARKS
 INIT ISSUE
 REV1
 REV2

THIS DOCUMENT IS THE PROPERTY OF ENGINEERING EXPRESS AND SHALL NOT BE REPRODUCED IN WHOLE OR PART WITHOUT WRITTEN CONSENT OF ENGINEERING EXPRESS. ALTERATIONS, ADDITIONS, OR OTHER MARKINGS TO THIS DOCUMENT ARE NOT PERMITTED AND INVALIDATE OUR CERTIFICATION.

COPYRIGHT ENGINEERING EXPRESS®
 15-2573
 SCALE: NTS UNLESS NOTED
 15 OF 34

C:\Users\joem\appdata\local\temp\AcPublish_406A15-2573_Cad for FL approval.dwg
 joem
 08/26/2016 - 8:47pm

MULLION DESIGN CAPACITY (PSF)					
NOMINAL DIMS		LARGE NON-REINF		LARGE REINFORCED	
WIDTH	HEIGHT	(+)P.S.F.	(-)P.S.F.	(+)P.S.F.	(-)P.S.F.
36"	90"	+120	-120	+120	-120
42"		+120	-115	+120	-120
46"		+120	-108	+120	-120
48.5"		+120	-105	+120	-120
54"		+120	-98	+120	-120
60.25"		+120	-93	+117	-117
62.375"		+120	-91	+115	-115
66"		+120	-89	+113	-113
72"		+117	-86	+109	-109
78"		+114	-84	+106	-106
84"		+112	-83	+105	-105
90"		+112	-82	+105	-105
96"		+112	-82	+105	-105
102"		+112	-82	+105	-105
108"		+112	-82	+105	-105
114"		+112	-82	+105	-105
120"		+112	-82	+105	-105
126"		+112	-82	+105	-105
132"	+112	-82	+105	-105	
138"	+112	-82	+105	-105	
144"	+112	-82	+105	-105	
150"	+112	-82	+105	-105	
156"	+112	-82	+105	-105	

MULLION DESIGN CAPACITY (PSF)					
NOMINAL DIMS		LARGE NON-REINF		LARGE REINFORCED	
WIDTH	HEIGHT	(+)P.S.F.	(-)P.S.F.	(+)P.S.F.	(-)P.S.F.
36"	102"	+120	-110	+120	-120
42"		+120	-98	+120	-120
46"		+120	-92	+117	-117
48.5"		+120	-88	+112	-112
54"		+112	-82	+105	-105
60.25"		+105	-77	+98	-98
62.375"		+103	-75	+96	-96
66"		+99	-73	+93	-93
72"		+95	-70	+89	-89
78"		+92	-68	+86	-86
84"		+90	-66	+84	-84
90"		+88	-65	+82	-82
96"		+87	-64	+82	-82
102"		+87	-64	+81	-81
108"		+87	-64	+81	-81
114"		+87	-64	+81	-81
120"		+87	-64	+81	-81
126"		+87	-64	+81	-81
132"	+87	-64	+81	-81	
138"	+87	-64	+81	-81	
144"	+87	-64	+81	-81	
150"	+87	-64	+81	-81	
156"	+87	-64	+81	-81	

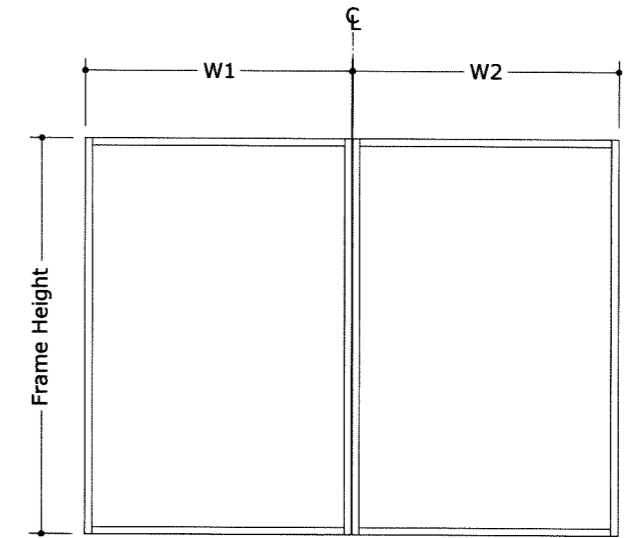
MULLION DESIGN CAPACITY (PSF)					
NOMINAL DIMS		LARGE NON-REINF		LARGE REINFORCED	
WIDTH	HEIGHT	(+)P.S.F.	(-)P.S.F.	(+)P.S.F.	(-)P.S.F.
36"	114"	+120	-97	+120	-120
42"		+116	-85	+108	-108
46"		+108	-80	+101	-101
48.5"		+104	-77	+97	-97
54"		+96	-71	+90	-90
60.25"		+90	-66	+84	-84
62.375"		+88	-64	+82	-82
66"		+85	-62	+79	-79
72"		+81	-59	+75	-75
78"		+77	-57	+72	-72
84"		+75	-55	+70	-70
90"		+73	-54	+68	-68
96"		+71	-52	+67	-67
102"		+70	-51	+66	-66
108"		+69	-51	+65	-65
114"		+69	-50	+65	-65
120"		+69	-50	+65	-65
126"		+69	-50	+65	-65
132"	+69	-50	+65	-65	
138"	+69	-50	+65	-65	
144"	+69	-50	+65	-65	
150"	+69	-50	+65	-65	
156"	+69	-50	+65	-65	

MULLION DESIGN CAPACITY (PSF)					
NOMINAL DIMS		LARGE NON-REINF		LARGE REINFORCED	
WIDTH	HEIGHT	(+)P.S.F.	(-)P.S.F.	(+)P.S.F.	(-)P.S.F.
36"	122.375"	+120	-89	+113	-113
42"		+106	-78	+99	-99
46"		+99	-73	+93	-93
48.5"		+95	-70	+89	-89
54"		+88	-65	+82	-82
60.25"		+81	-60	+76	-76
62.375"		+80	-59	+74	-74
66"		+76	-56	+72	-72
72"		+71	-52	+68	-68
78"		+67	-49	+65	-65
84"		+64	-47	+62	-62
90"		+61	-45	+61	-61
96"		+59	-44	+59	-59
102"		+58	-42	+58	-58
108"		+57	-42	+57	-57
114"		+56	-41	+57	-57
120"		+55	-41	+56	-56
126"		+55	-41	+56	-56
132"	+55	-41	+56	-56	
138"	+55	-41	+56	-56	
144"	+55	-41	+56	-56	
150"	+55	-41	+56	-56	
156"	+55	-41	+56	-56	

36"	96"	+120	-119	+120	-120
42"		+120	-106	+120	-120
46"		+120	-99	+120	-120
48.5"		+120	-96	+120	-120
54"		+120	-90	+114	-114
60.25"		+114	-84	+107	-107
62.375"		+112	-83	+105	-105
66"		+109	-80	+102	-102
72"		+105	-77	+98	-98
78"		+102	-75	+95	-95
84"		+100	-73	+93	-93
90"		+99	-73	+92	-92
96"		+98	-72	+92	-92
102"		+98	-72	+92	-92
108"		+98	-72	+92	-92
114"		+98	-72	+92	-92
120"		+98	-72	+92	-92
126"		+98	-72	+92	-92
132"	+98	-72	+92	-92	
138"	+98	-72	+92	-92	
144"	+98	-72	+92	-92	
150"	+98	-72	+92	-92	
156"	+98	-72	+92	-92	

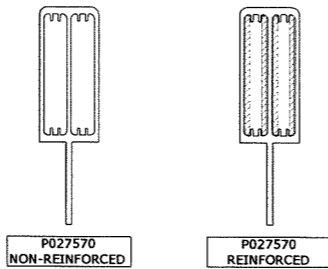
36"	108"	+120	-103	+120	-120
42"		+120	-91	+116	-116
46"		+116	-85	+108	-108
48.5"		+112	-82	+104	-104
54"		+104	-76	+97	-97
60.25"		+96	-71	+90	-90
62.375"		+94	-70	+88	-88
66"		+91	-67	+85	-85
72"		+87	-64	+82	-82
78"		+84	-62	+79	-79
84"		+82	-60	+76	-76
90"		+80	-59	+75	-75
96"		+78	-58	+73	-73
102"		+78	-57	+73	-73
108"		+78	-57	+72	-72
114"		+78	-57	+72	-72
120"		+78	-57	+72	-72
126"		+78	-57	+72	-72
132"	+78	-57	+72	-72	
138"	+78	-57	+72	-72	
144"	+78	-57	+72	-72	
150"	+78	-57	+72	-72	
156"	+78	-57	+72	-72	

36"	120"	+120	-91	+115	-115
42"		+109	-80	+102	-102
46"		+101	-75	+95	-95
48.5"		+97	-72	+91	-91
54"		+90	-66	+84	-84
60.25"		+84	-61	+78	-78
62.375"		+82	-60	+76	-76
66"		+79	-58	+74	-74
72"		+74	-55	+70	-70
78"		+70	-52	+67	-67
84"		+67	-49	+64	-64
90"		+64	-47	+63	-63
96"		+62	-46	+61	-61
102"		+61	-45	+60	-60
108"		+60	-44	+59	-59
114"		+59	-43	+59	-59
120"		+59	-43	+59	-59
126"		+59	-43	+59	-59
132"	+59	-43	+59	-59	
138"	+59	-43	+59	-59	
144"	+59	-43	+59	-59	
150"	+59	-43	+59	-59	
156"	+59	-43	+59	-59	



$$\text{WIDTH} = \frac{W1 + W2}{2}$$

NOTE: FOR ALLOWABLE PRESSURES THE LOWEST PRESSURE RATING OF MULLION AND FIXED WINDOW SHALL APPLY.



FRANK L. BERNARDO
 P.E. 0845540
 LICENSE
 08/26/2016
 STATE OF FLORIDA
 VALID FOR A REINFORCED ONLY USE
 VALID ONLY WITH ORIGINAL ENGINEERING
ENGINEERING EXPRESS
 PROJECT SIGNATURE
 CORPORATE OFFICE:
 160 SW 12th AVE, SUITE 300
 DEERFIELD BEACH, FL 33442
 P: (954) 354-0660 F: (954) 354-0443
 E: HELLO@ENGINEERINGEXPRESS.COM
 ENGINEERINGEXPRESS.COM
 CERT OF AUTH #9885

LA FINESTRA, LC
 2790 NW 104TH COURT
 DORAL, FL
 (305) 599-8093
 PREGLAZED WINDOW WALL
 FLORIDA PRODUCT APPROVAL
 FL18507.1-R2

DRWN	CHKD	DATE
SSQ	FLB	08/31/15
SSQ	FLB	12/18/15
JEM	FLB	08/26/16

REMARKS
 INIT ISSUE
 REV1
 REV2

THIS DOCUMENT IS THE PROPERTY OF ENGINEERING EXPRESS AND SHALL NOT BE REPRODUCED IN WHOLE OR PART WITHOUT WRITTEN CONSENT OF ENGINEERING EXPRESS. ALTERATIONS, ADDITIONS, OR OTHER MARKINGS TO THIS DOCUMENT ARE NOT PERMITTED AND INVALIDATE OUR CERTIFICATION.

COPYRIGHT ENGINEERING EXPRESS®

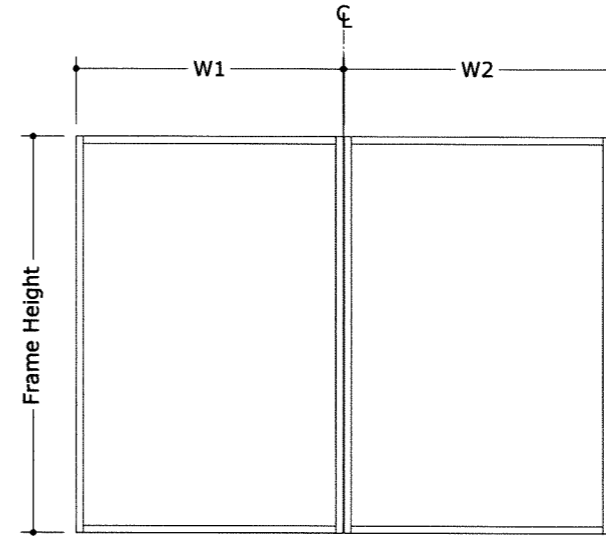
15-2573
 SCALE: NTS UNLESS NOTED
 OF 34
16

MULLION DESIGN CAPACITY (PSF)					
NOMINAL DIMS		LARGE NON-REINF		LARGE REINFORCED	
WIDTH	HEIGHT	(+) P.S.F.	(-) P.S.F.	(+) P.S.F.	(-) P.S.F.
36"	126"	+117	-86	+109	-109
42"		+102	-76	+96	-96
46"		+94	-70	+89	-89
48.5"		+89	-67	+86	-86
54"		+82	-61	+79	-79
60.25"		+74	-56	+73	-73
62.375"		+72	-54	+71	-71
66"		+69	-52	+69	-69
72"		+65	-49	+65	-65
78"		+61	-46	+62	-62
84"		+58	-44	+60	-60
90"		+56	-42	+58	-58
96"		+54	-40	+56	-56
102"		+53	-39	+55	-55
108"		+52	-38	+54	-54
114"		+51	-38	+53	-53
120"		+51	-37	+53	-53
126"		+50	-37	+53	-53
132"		+50	-37	+53	-53
138"		+50	-37	+53	-53
144"	+50	-37	+53	-53	
150"	+50	-37	+53	-53	
156"	+50	-37	+53	-53	

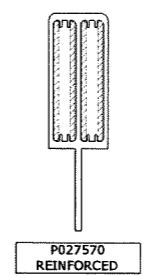
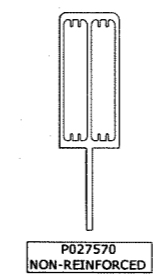
36"	132"	+102	-76	+103	-103
42"		+88	-66	+91	-91
46"		+81	-61	+84	-84
48.5"		+77	-58	+81	-81
54"		+70	-53	+75	-75
60.25"		+64	-48	+69	-69
62.375"		+62	-47	+67	-67
66"		+59	-45	+65	-65
72"		+56	-42	+61	-61
78"		+52	-39	+58	-58
84"		+50	-37	+56	-56
90"		+48	-36	+53	-53
96"		+46	-34	+51	-51
102"		+45	-33	+49	-49
108"		+44	-33	+48	-48
114"		+43	-32	+47	-47
120"		+42	-32	+46	-46
126"		+42	-31	+46	-46
132"		+42	-31	+46	-46
138"		+42	-31	+46	-46
144"	+42	-31	+46	-46	
150"	+42	-31	+46	-46	
156"	+42	-31	+46	-46	

MULLION DESIGN CAPACITY (PSF)					
NOMINAL DIMS		LARGE NON-REINF		LARGE REINFORCED	
WIDTH	HEIGHT	(+) P.S.F.	(-) P.S.F.	(+) P.S.F.	(-) P.S.F.
36"	138"	+89	-67	+98	-98
42"		+77	-58	+86	-86
46"		+71	-53	+80	-80
48.5"		+67	-50	+77	-77
54"		+61	-46	+70	-70
60.25"		+56	-42	+65	-65
62.375"		+54	-40	+63	-63
66"		+52	-39	+61	-61
72"		+48	-36	+56	-56
78"		+45	-34	+53	-53
84"		+43	-32	+50	-50
90"		+41	-31	+48	-48
96"		+39	-29	+46	-46
102"		+38	-29	+44	-44
108"		+37	-28	+43	-43
114"		+36	-27	+42	-42
120"		+36	-27	+41	-41
126"		+35	-26	+40	-40
132"		+35	-26	+40	-40
138"		+35	-26	+40	-40
144"	+35	-26	+40	-40	
150"	+35	-26	+40	-40	
156"	+35	-26	+40	-40	

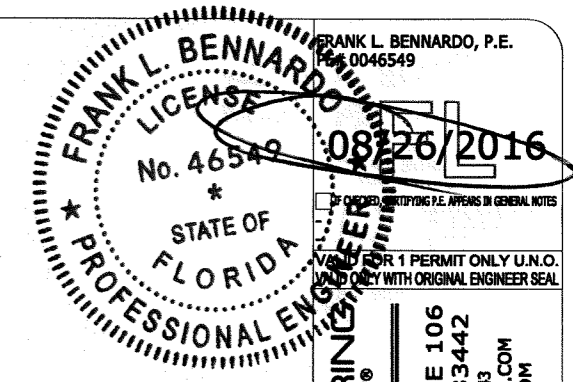
36"	144"	+78	-58	+93	-93
42"		+67	-50	+82	-82
46"		+62	-46	+76	-76
48.5"		+59	-44	+73	-73
54"		+53	-40	+66	-66
60.25"		+49	-36	+60	-60
62.375"		+47	-35	+58	-58
66"		+45	-34	+55	-55
72"		+42	-31	+51	-51
78"		+39	-29	+48	-48
84"		+37	-28	+45	-45
90"		+35	-27	+43	-43
96"		+34	-25	+41	-41
102"		+33	-25	+40	-40
108"		+32	-24	+39	-39
114"		+31	-23	+37	-37
120"		+30	-23	+37	-37
126"		+30	-22	+36	-36
132"		+30	-22	+36	-36
138"		+29	-22	+35	-35
144"	+29	-22	+35	-35	
150"	+29	-22	+35	-35	
156"	+29	-22	+35	-35	



$$\text{WIDTH} = \frac{W1+W2}{2}$$



NOTE: FOR ALLOWABLE PRESSURES THE LOWEST PRESSURE RATING OF MULLION AND FIXED WINDOW SHALL APPLY.



ENGINEERING EXPRESS®
CORPORATE OFFICE:
160 SW 12th AVE, SUITE 106
DEERFIELD BEACH, FL 33442
P: (954) 354-0660 F: (954) 354-0443
E: HELLO@ENGINEERINGEXPRESS.COM
ENGINEER OF AUTH #9885

LA FINESTRA, LC
2790 NW 104TH COURT
DORAL, FL
(305) 599-8093
PREGLAZED WINDOW WALL
FLORIDA PRODUCT APPROVAL
FL18507.1-R2

DRWN	CHKD	DATE
SSQ	FLB	08/31/15
SSQ	FLB	12/18/15
JEM	FLB	08/26/16

REMARKS
INIT ISSUE
REV1
REV2

THIS DOCUMENT IS THE PROPERTY OF ENGINEERING EXPRESS AND SHALL NOT BE REPRODUCED IN WHOLE OR PART WITHOUT WRITTEN CONSENT OF ENGINEERING EXPRESS. ALTERATIONS, ADDITIONS, OR OTHER MARKINGS TO THIS DOCUMENT ARE NOT PERMITTED AND INVALIDATE OUR CERTIFICATION.

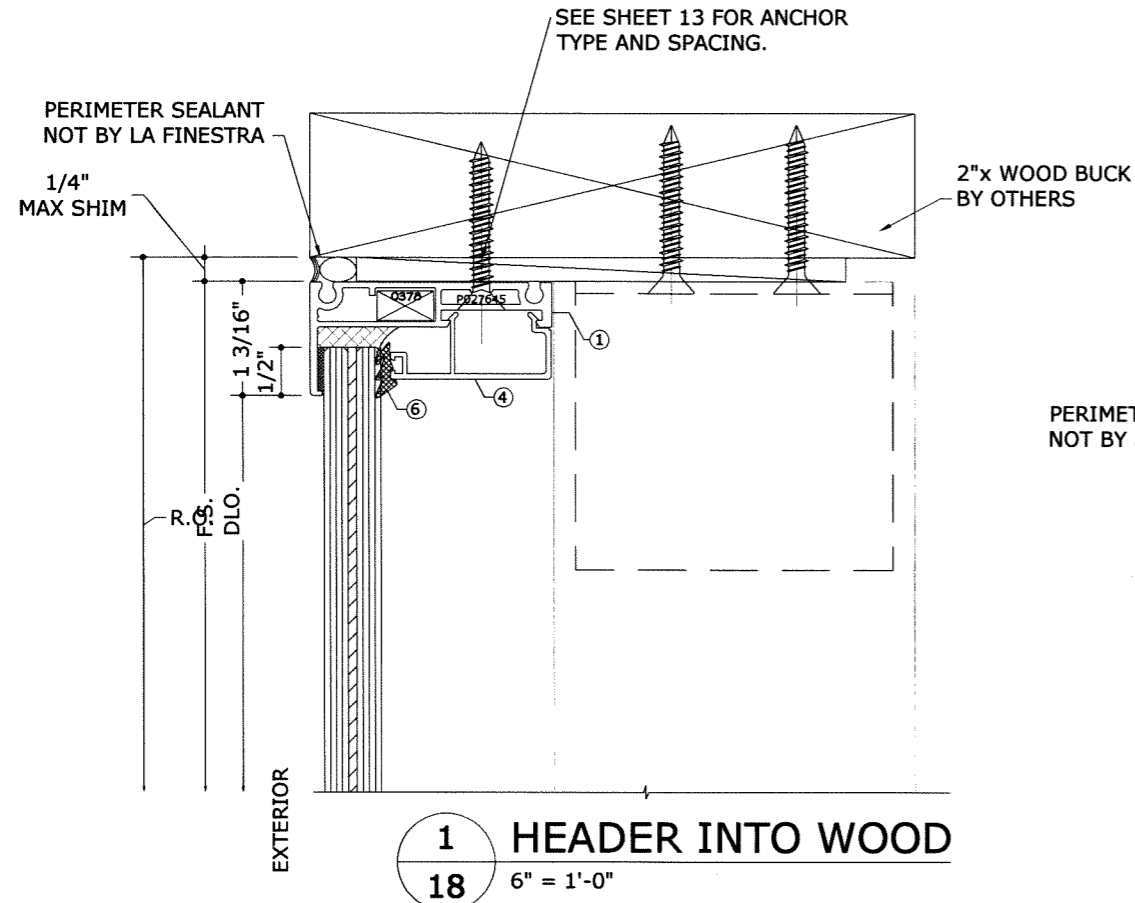
COPYRIGHT ENGINEERING EXPRESS®

15-2573
SCALE: NTS UNLESS NOTED
17 OF 34

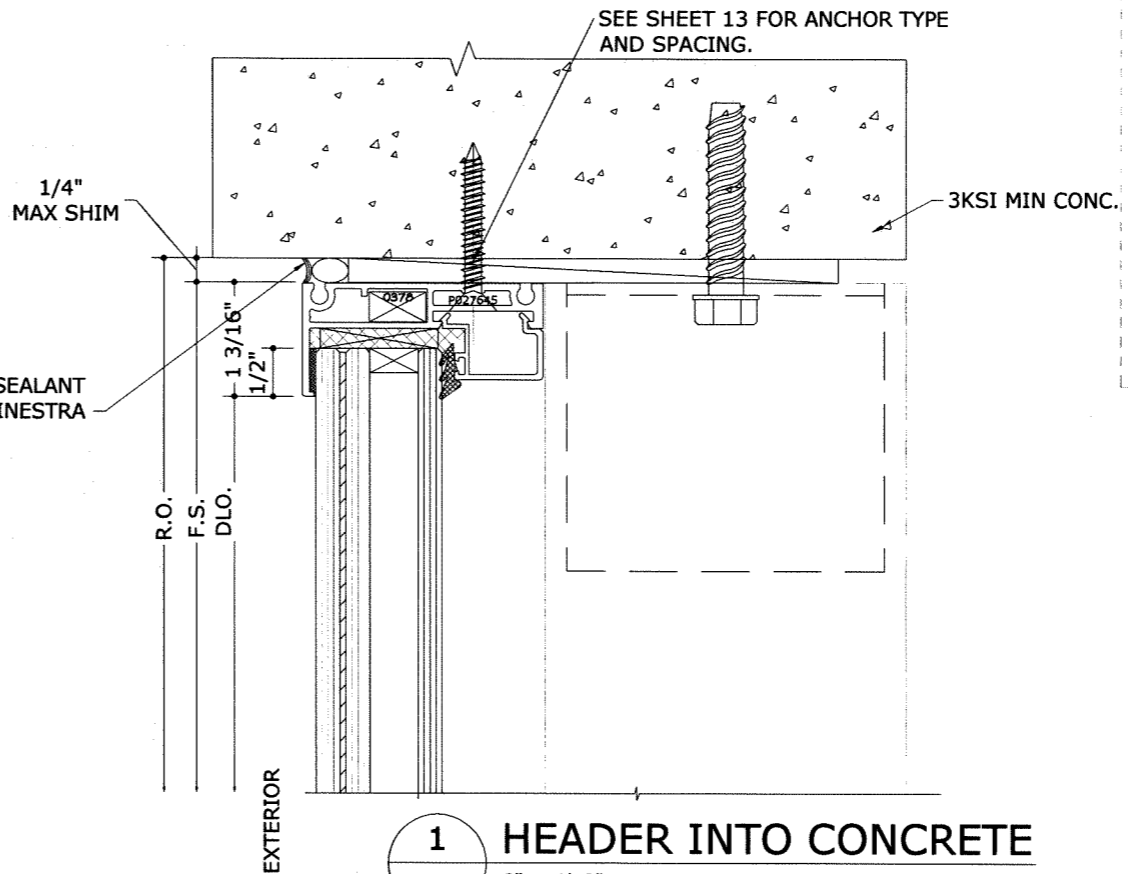
C:\Users\joem\appdata\local\temp\AcPublish_4064115-2573_Cad for FL approval.dwg

joem

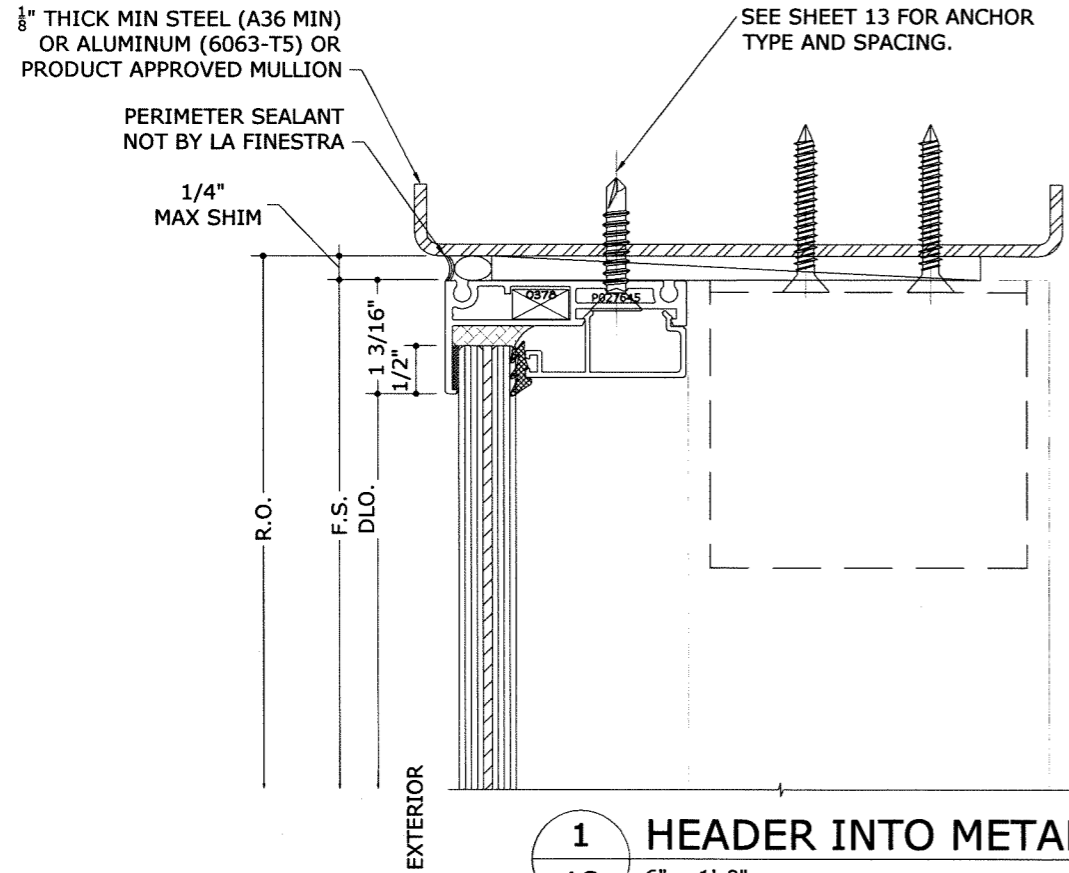
08/26/2016 - 8:47pm



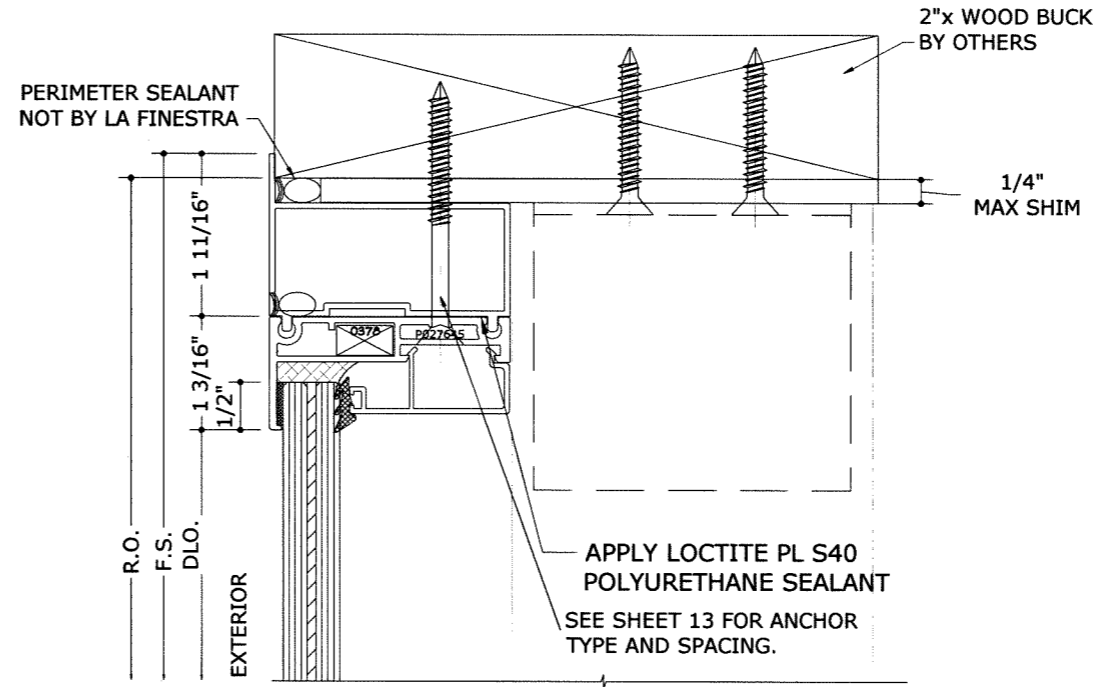
1 HEADER INTO WOOD
18 6" = 1'-0"



1 HEADER INTO CONCRETE
18 6" = 1'-0"

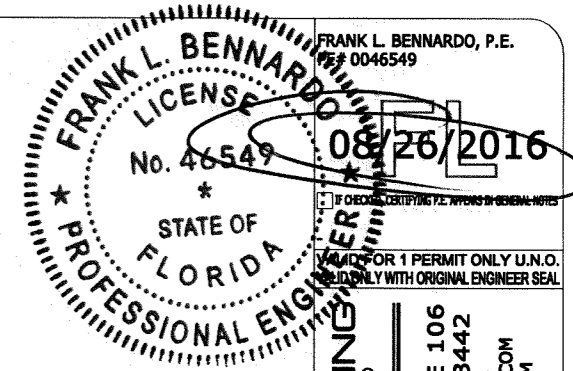


1 HEADER INTO METAL
18 6" = 1'-0"



1A HEADER INTO WOOD W/ EXTENSION (OPTIONAL)
18 6" = 1'-0"

NOTE:
WOOD BUCKS AND METAL STRUCTURES NOT BY LA FINESTRA MUST SUSTAIN LOADS IMPOSED BY GLAZING SYSTEM AND TRANSFER THEM TO THE BUILDING STRUCTURE.



ENGINEERING EXPRESS
CORPORATE OFFICE:
160 SW 12th AVE, SUITE 106
DEERFIELD BEACH, FL 33442
P: (954) 354-0660 F: (954) 354-0443
E: HELLO@ENGINEERINGEXPRESS.COM
ENGINEERINGEXPRESS.COM
CERT OF AUTH #9885

LA FINESTRA, LC
2790 NW 104TH COURT
DORAL, FL
(305) 599-8093
PREGLAZED WINDOW WALL
FLORIDA PRODUCT APPROVAL
FL18507.1-R2

REMARKS	DRWN	CHKD	DATE
INIT ISSUE	SSQ	FLB	08/31/15
REV1	SSQ	FLB	12/18/15
REV2	JEM	FLB	08/26/16

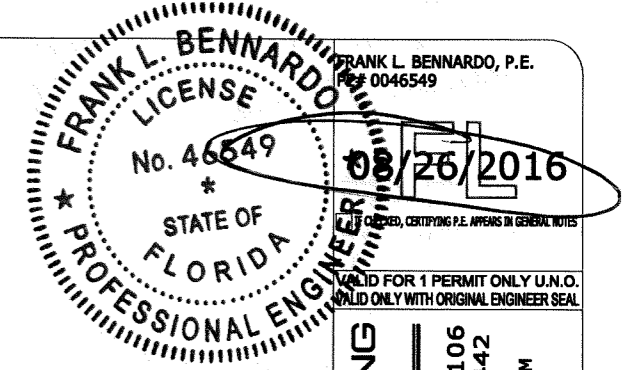
THIS DOCUMENT IS THE PROPERTY OF ENGINEERING EXPRESS AND SHALL NOT BE REPRODUCED IN WHOLE OR PART WITHOUT WRITTEN CONSENT OF ENGINEERING EXPRESS. ALTERATIONS, ADDITIONS, OR OTHER MARKINGS TO THIS DOCUMENT ARE NOT PERMITTED AND INVALIDATE OUR CERTIFICATION.

COPYRIGHT ENGINEERING EXPRESS®
15-2573

SCALE: NTS UNLESS NOTED

18 of 34

C:\Users\joem\appdata\local\temp\AcPublish_4064115-2573_Cad for FL approval.dwg
 joem
 08/26/2016 - 8:47pm



VALID FOR 1 PERMIT ONLY U.N.O.
 VALID ONLY WITH ORIGINAL ENGINEER SEAL

ENGINEERING EXPRESS®
 CORPORATE OFFICE:
 160 SW 12th AVE, SUITE 106
 DEERFIELD BEACH, FL 33442
 P: (954) 354-0660 F: (954) 354-0443
 E: HELLO@ENGINEERINGEXPRESS.COM
 CERT OF AUTH #9885

LA FINESTRA, LC
 2790 NW 104TH COURT
 DORAL, FL
 (305) 599-8093
 PREGLAZED WINDOW WALL
 FLORIDA PRODUCT APPROVAL
 FL18507.1-R2

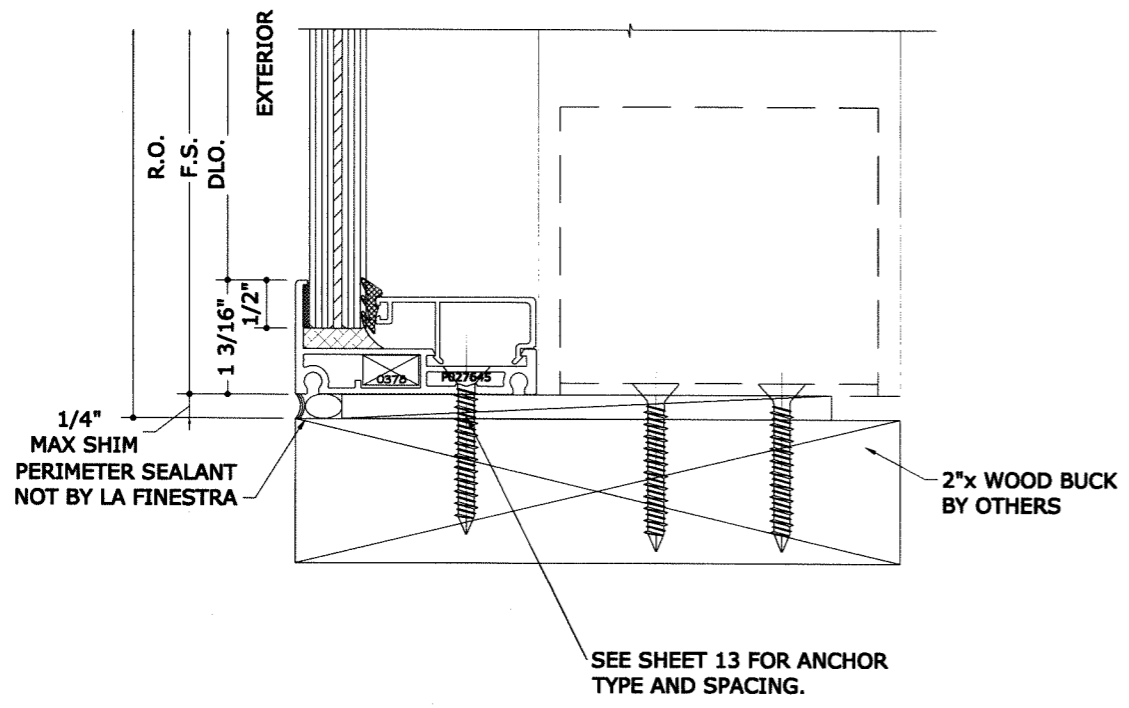
DRWN	CHKD	DATE
SSQ	FLB	08/31/15
SSQ	FLB	12/18/15
JEM	FLB	08/28/16

REMARKS	INIT	ISSUE
REV1		
REV2		

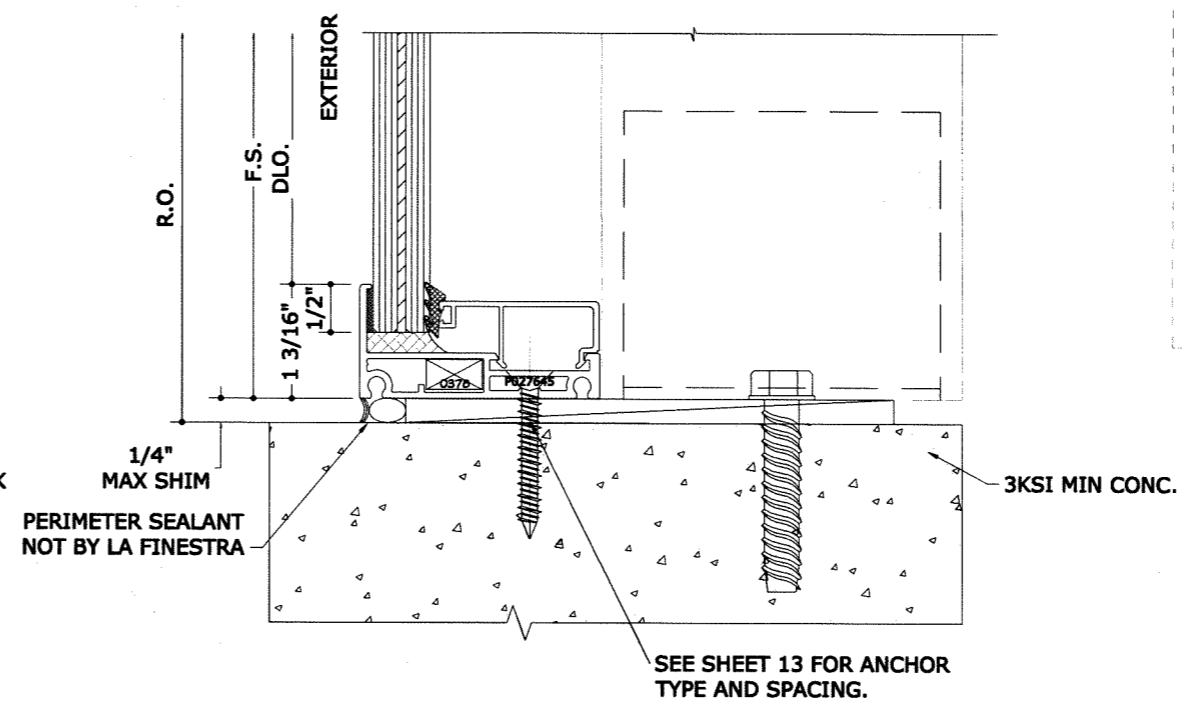
THIS DOCUMENT IS THE PROPERTY OF ENGINEERING EXPRESS AND SHALL NOT BE REPRODUCED IN WHOLE OR PART WITHOUT WRITTEN CONSENT OF ENGINEERING EXPRESS. ALTERATIONS, ADDITIONS, OR OTHER MARKINGS TO THIS DOCUMENT ARE NOT PERMITTED AND INVALIDATE OUR CERTIFICATION.

15-2573
 SCALE: NTS UNLESS NOTED

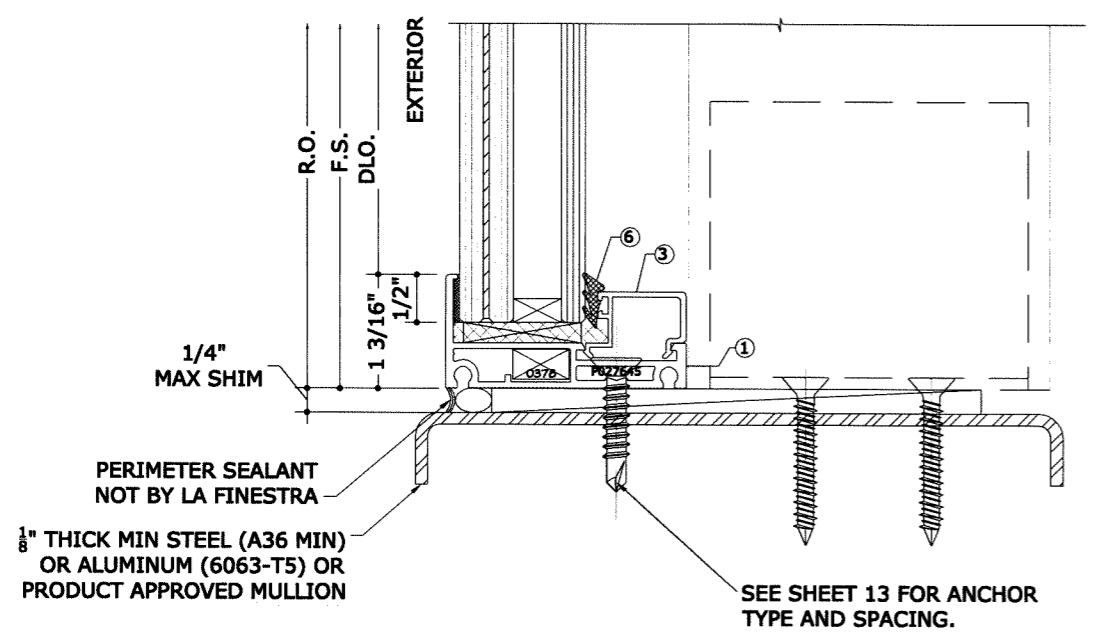
19 of 34



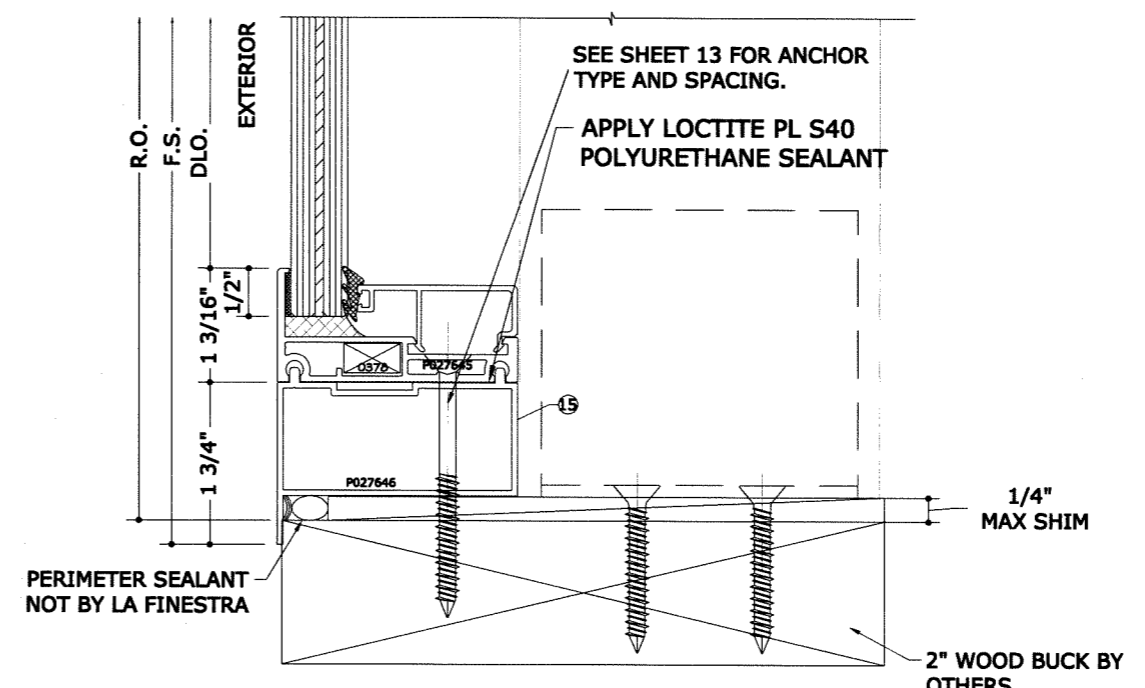
2 SILL INTO WOOD
 19 6" = 1'-0"



2 SILL INTO CONCRETE
 19 6" = 1'-0"

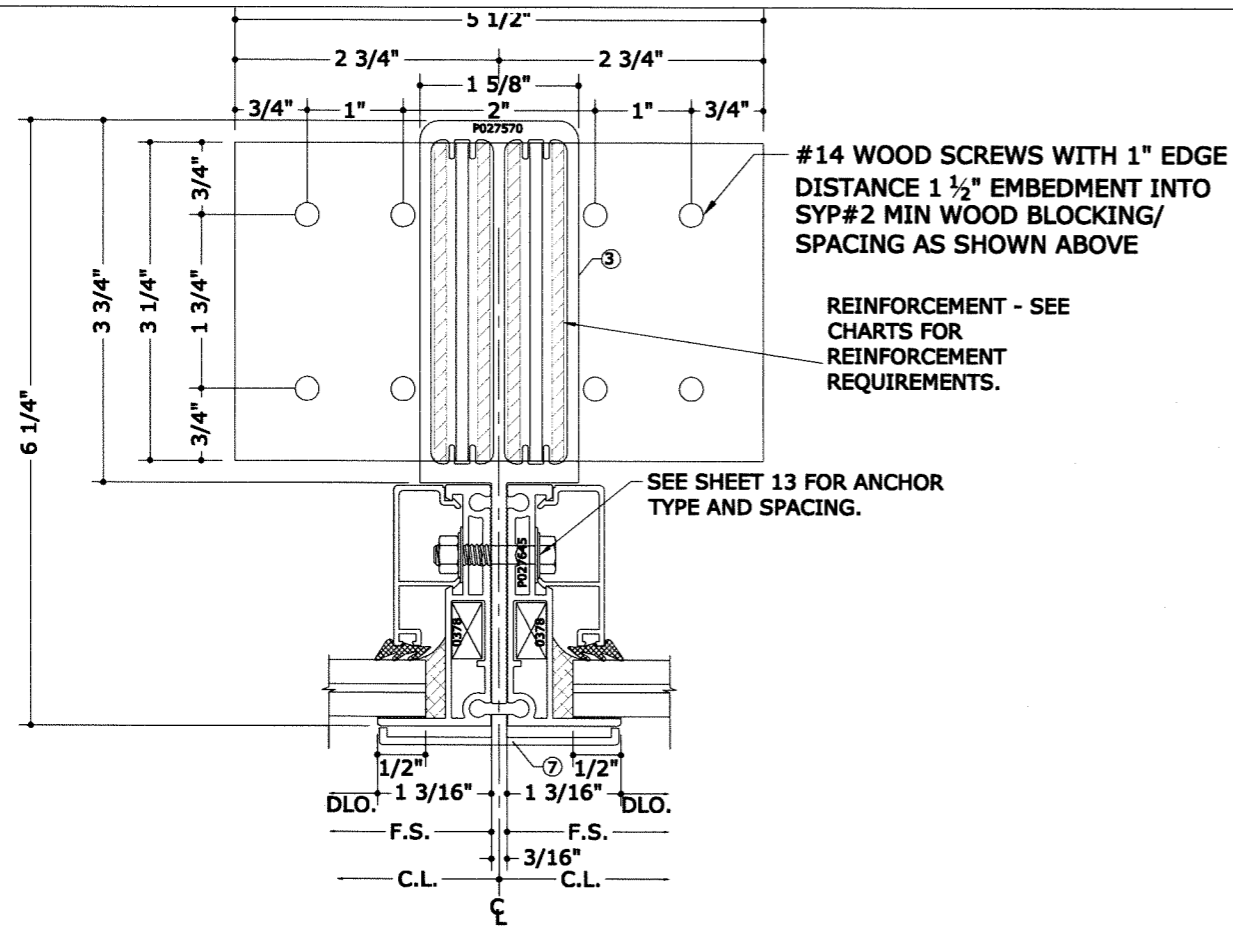


2 SILL INTO METAL
 19 6" = 1'-0"

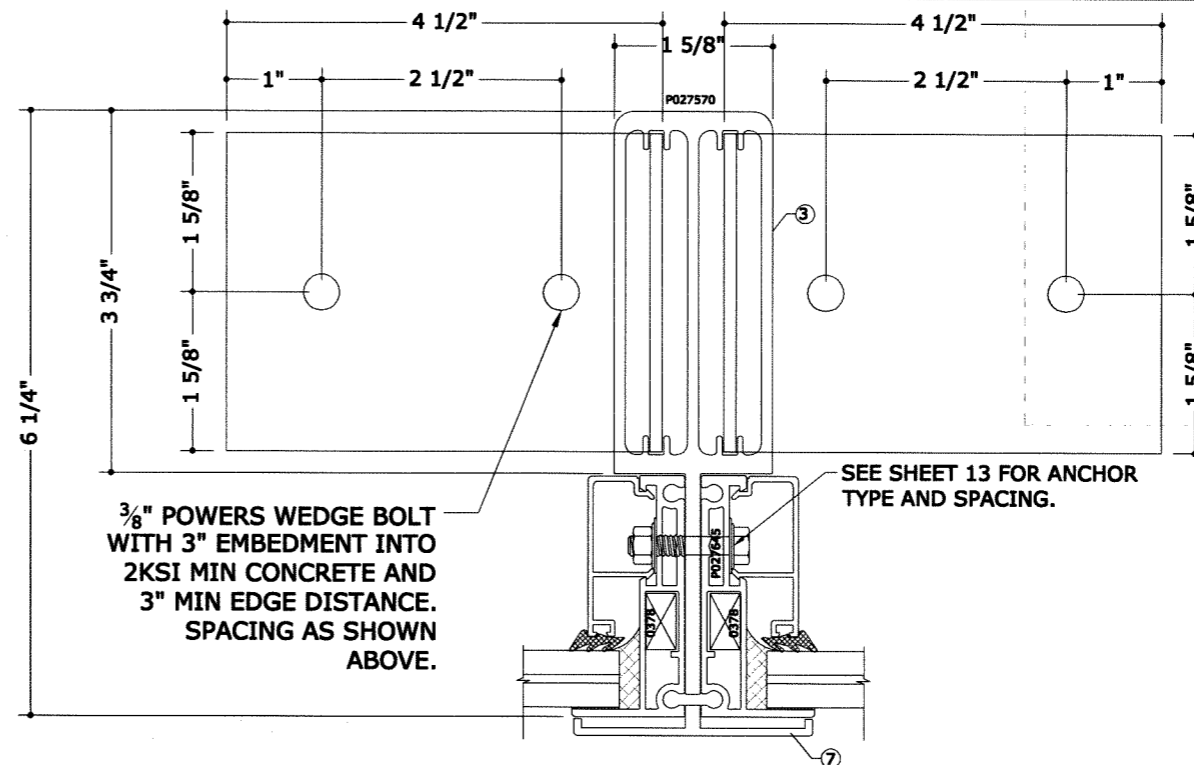


2A SILL INTO WOOD W/ EXTENSION (OPTIONAL)
 19 6" = 1'-0"

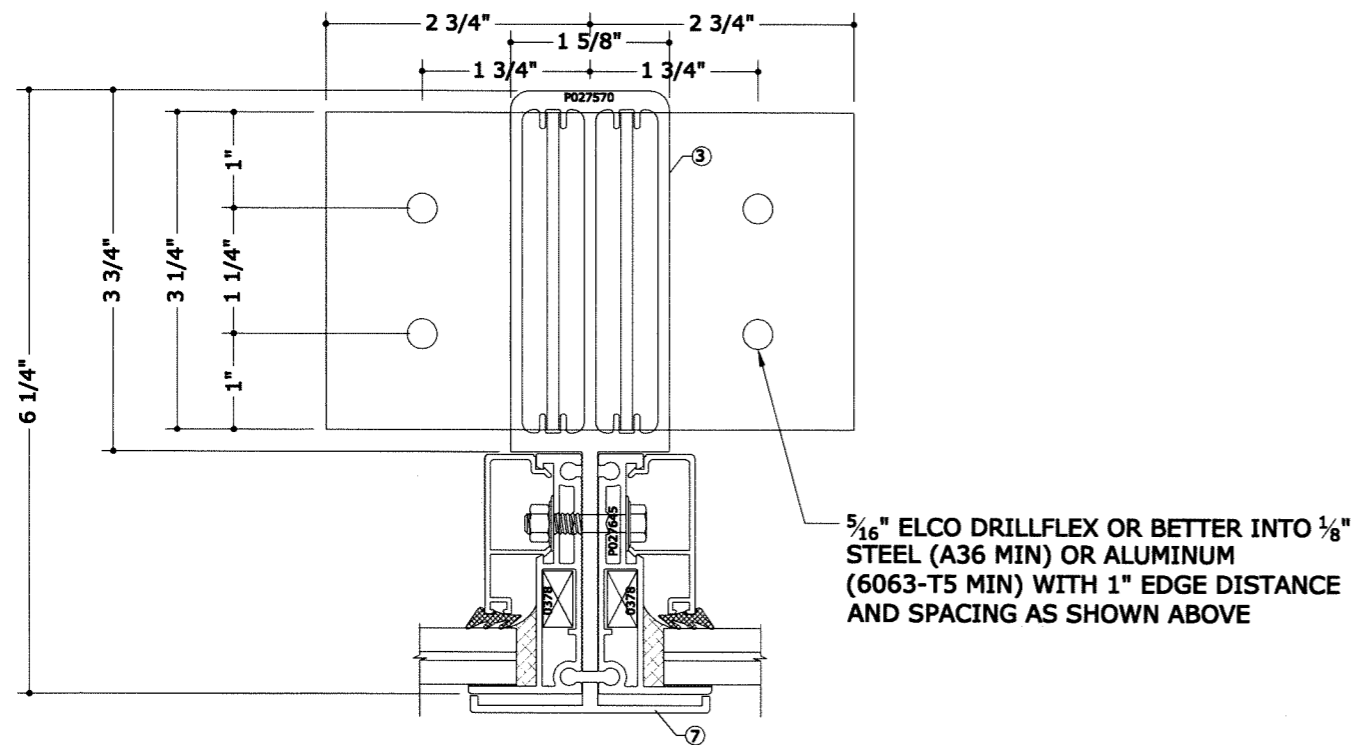
NOTE:
 WOOD BUCKS AND METAL STRUCTURES NOT BY LA FINESTRA MUST SUSTAIN LOADS IMPOSED BY GLAZING SYSTEM AND TRANSFER THEM TO THE BUILDING STRUCTURE.



4 VERTICAL INTERMEDIATE DETAIL
20 6" = 1'-0" WOOD ANCHORING
 NON-REINF. + REINF.

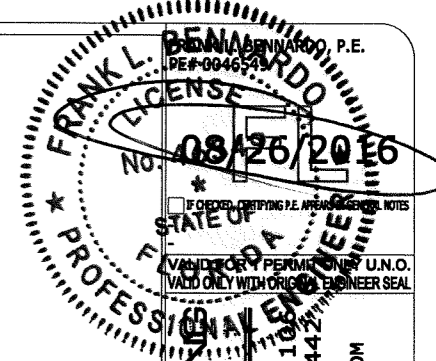


4 VERTICAL INTERMEDIATE DETAIL
20 6" = 1'-0" CONCRETE
 NON-REINF. + REINF. + UNITIZED



4 VERTICAL INTERMEDIATE DETAIL
20 6" = 1'-0" METAL ANCHORING
 NON-REINF. + REINF.

NOTE:
 WOOD BUCKS AND METAL STRUCTURES NOT BY LA FINESTRA
 MUST SUSTAIN LOADS IMPOSED BY GLAZING SYSTEM AND
 TRANSFER THEM TO THE BUILDING STRUCTURE.



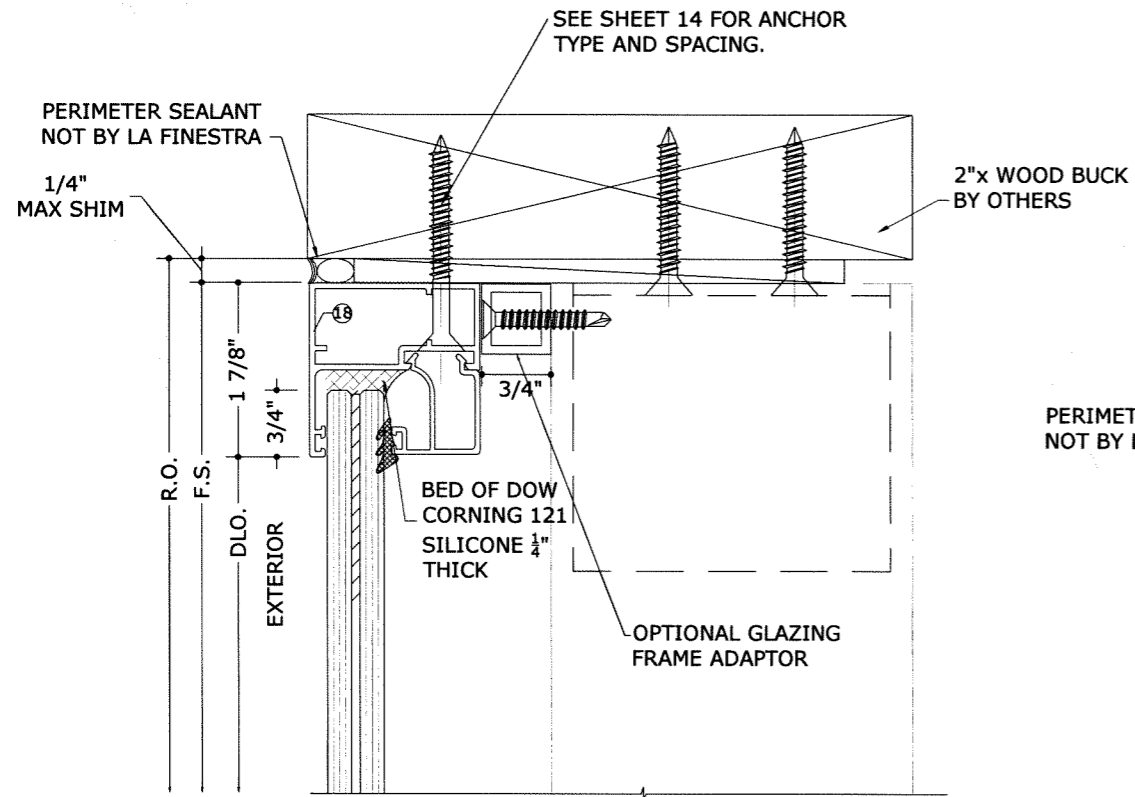
ENGINEERING EXPRESS
 CORPORATE OFFICE:
 160 SW 12th AVE, SUITE 100
 DEERFIELD BEACH, FL 33442
 P: (954) 354-0660 F: (954) 354-0443
 E: HELLO@ENGINEERINGEXPRESS.COM
 ENGINEERINGEXPRESS.COM
 CERT OF AUTH #9885

LA FINESTRA, LC
 2790 NW 104TH COURT
 DORAL, FL
 (305) 599-8093
 PREGLAZED WINDOW WALL
 FLORIDA PRODUCT APPROVAL
 FL18507.1-R2

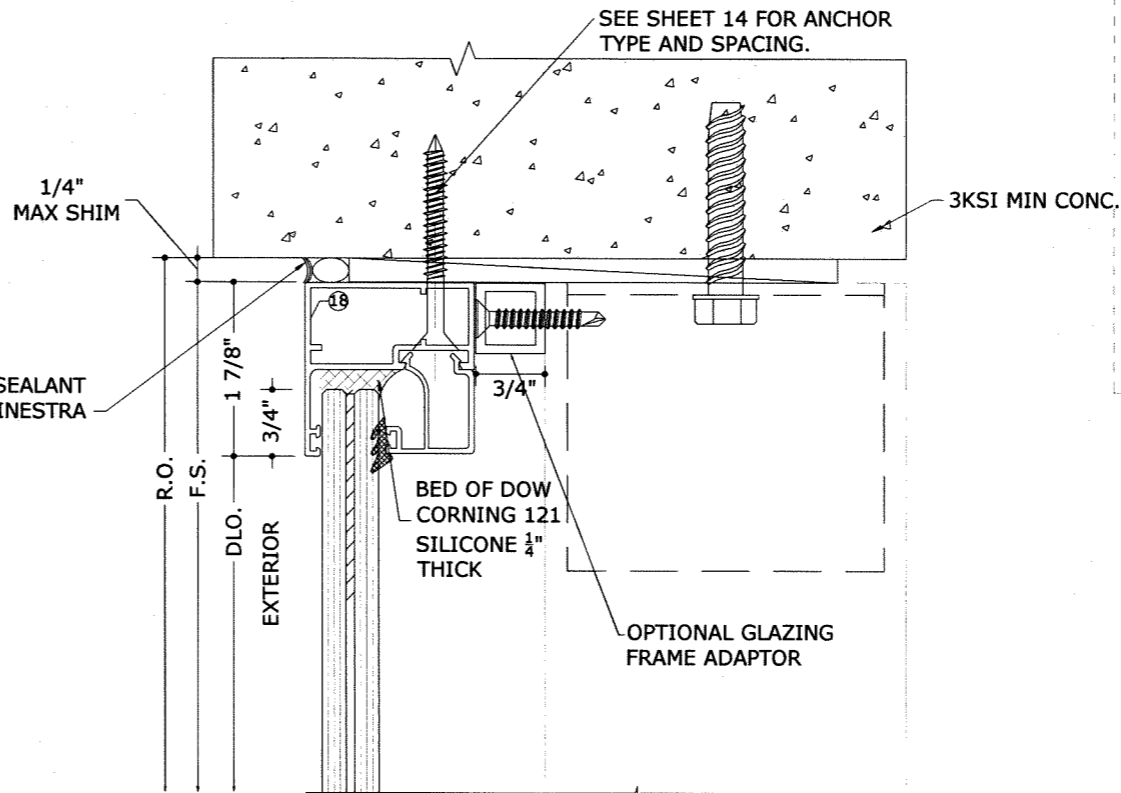
REMARKS	DRWN	CHKD	DATE
INIT ISSUE	SSQ	FLB	08/31/15
REV1	SSQ	FLB	12/18/15
REV2	JEM	FLB	08/28/16

THIS DOCUMENT IS THE PROPERTY OF ENGINEERING EXPRESS AND SHALL NOT BE REPRODUCED IN WHOLE OR PART WITHOUT WRITTEN CONSENT OF ENGINEERING EXPRESS. ALTERATIONS, ADDITIONS, OR OTHER MARKINGS TO THIS DOCUMENT ARE NOT PERMITTED AND INVALIDATE OUR CERTIFICATION.

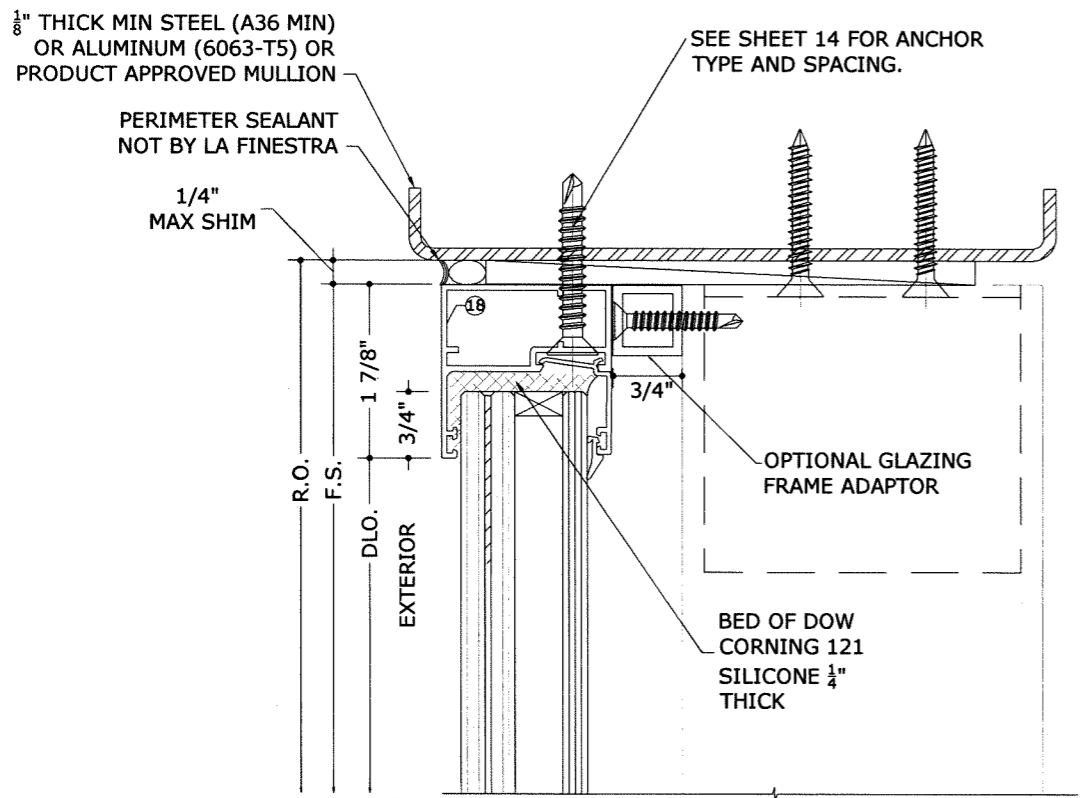
COPYRIGHT ENGINEERING EXPRESS®
15-2573
 SCALE: NTS UNLESS NOTED



1 **HEADER INTO WOOD**
21 6" = 1'-0"

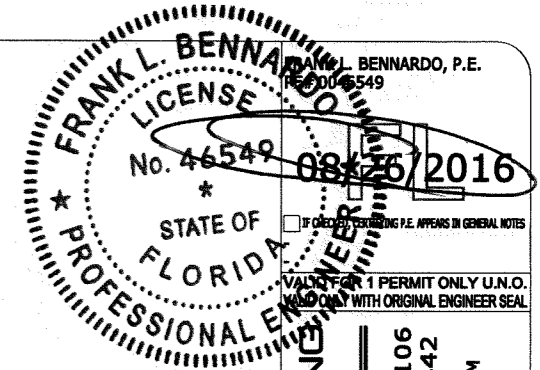


1 **HEADER INTO CONCRETE**
21 6" = 1'-0"



1 **HEADER INTO METAL**
21 6" = 1'-0"

NOTE:
 WOOD BUCKS AND METAL STRUCTURES NOT BY LA FINESTRA MUST SUSTAIN LOADS IMPOSED BY GLAZING SYSTEM AND TRANSFER THEM TO THE BUILDING STRUCTURE.



ENGINEERING EXPRESS®
 CORPORATE OFFICE:
 160 SW 12th AVE, SUITE 106
 DEERFIELD BEACH, FL 33442
 P: (954) 354-0660 F: (954) 354-0443
 E: HELLO@ENGINEERINGEXPRESS.COM
 CERT OF AUTH #9885

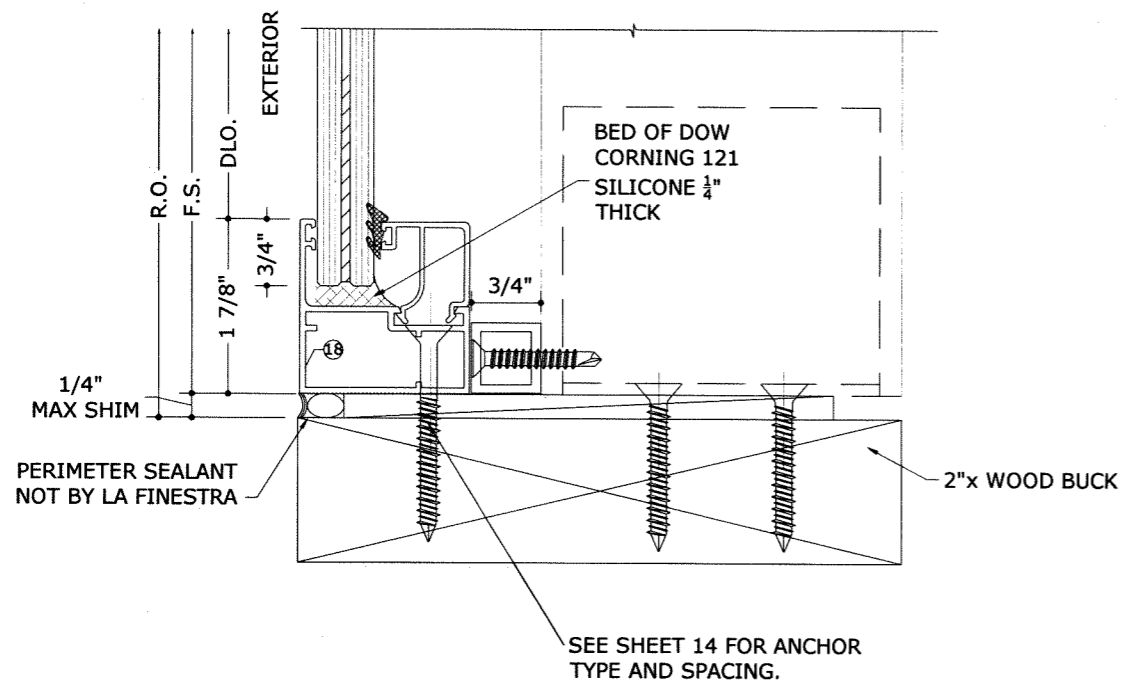
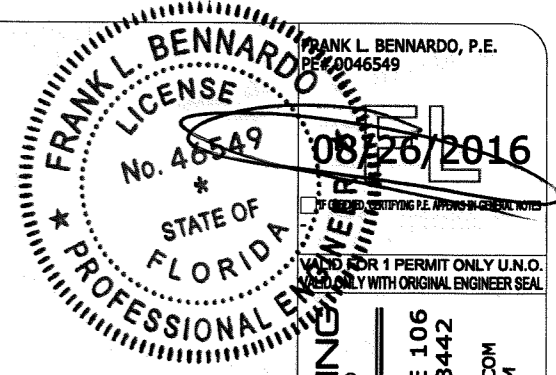
LA FINESTRA, LC
 2790 NW 104TH COURT
 DORAL, FL
 (305) 599-8093
 PREGLAZED WINDOW WALL
 FLORIDA PRODUCT APPROVAL
 FL18507.1-R2

REMARKS	DRWN	CHKD	DATE
INIT ISSUE	SSQ	FLB	08/31/15
REV1	SSQ	FLB	12/18/15
REV2	JEM	FLB	08/28/16

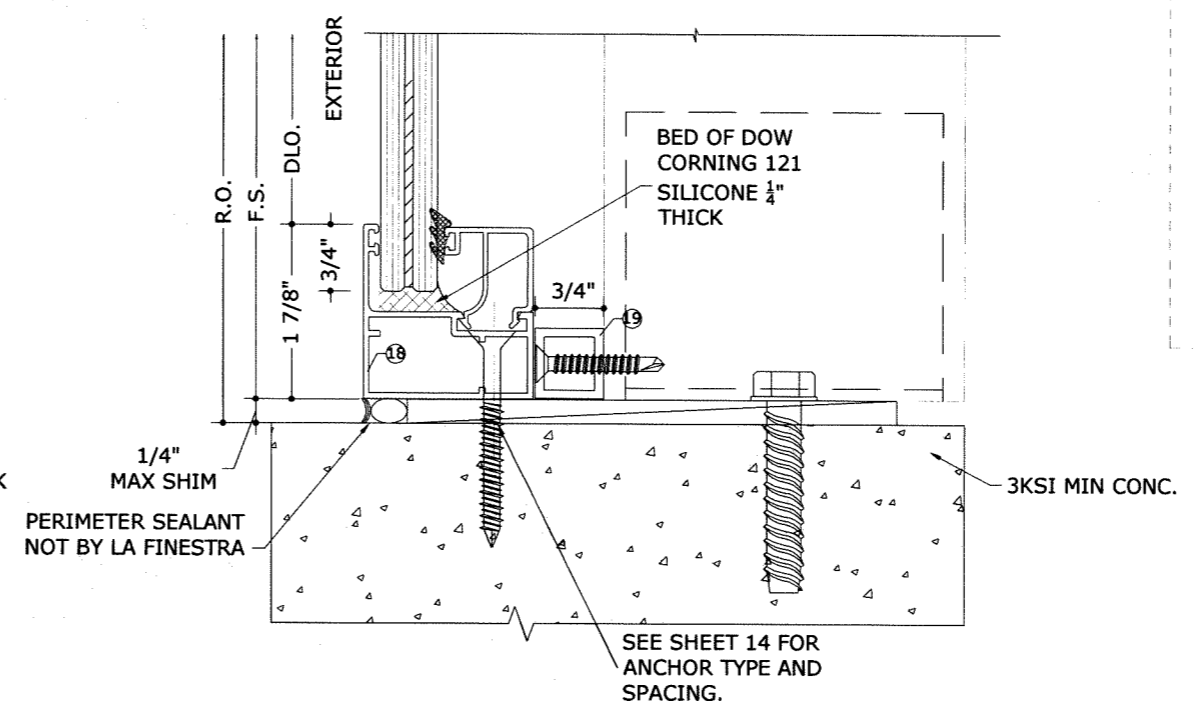
THIS DOCUMENT IS THE PROPERTY OF ENGINEERING EXPRESS AND SHALL NOT BE REPRODUCED IN WHOLE OR PART WITHOUT WRITTEN CONSENT OF ENGINEERING EXPRESS. ALTERATIONS, ADDITIONS, OR OTHER MARKINGS TO THIS DOCUMENT ARE NOT PERMITTED AND INVALIDATE OUR CERTIFICATION.

COPYRIGHT ENGINEERING EXPRESS®

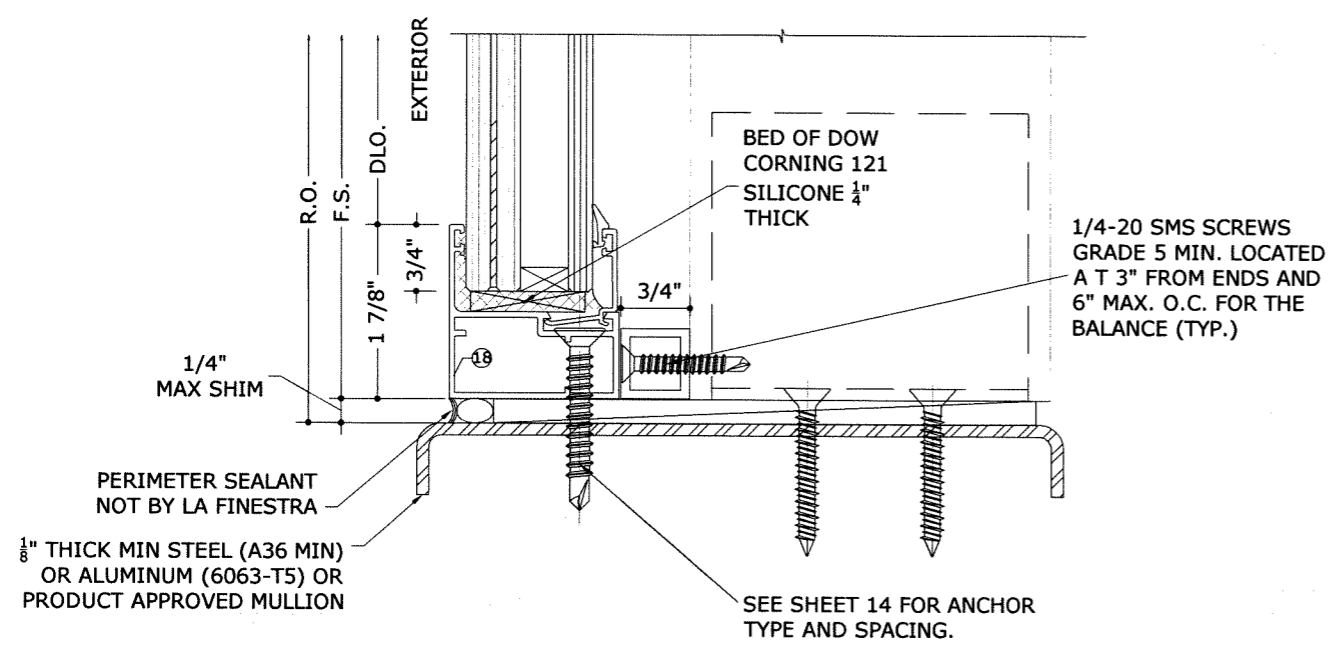
15-2573
 SCALE: NTS UNLESS NOTED
 21 OF 34



2 SILL INTO WOOD
22 6" = 1'-0"



2 SILL INTO CONCRETE
22 6" = 1'-0"



2 SILL INTO METAL
22 6" = 1'-0"

FOR 1 PERMIT ONLY U.I.N.O.
ONLY WITH ORIGINAL ENGINEER SEAL

ENGINEERING EXPRESS®
CORPORATE OFFICE:
160 SW 12th AVE, SUITE 106
DEERFIELD BEACH, FL 33442
P: (954) 354-0660 F: (954) 354-0443
E: HELLO@ENGINEERINGEXPRESS.COM
ENGINEERINGEXPRESS.COM
CERT OF AUTH #9885

LA FINESTRA, LC
2790 NW 104TH COURT
DORAL, FL
(305) 599-8093

PREGLAZED WINDOW WALL
FLORIDA PRODUCT APPROVAL
FL18507.1-R2

REMARKS	DRWN	CHKD	DATE
INIT ISSUE	SSQ	FLB	08/31/15
REV1	SSQ	FLB	12/18/15
REV2	JEM	FLB	08/28/16

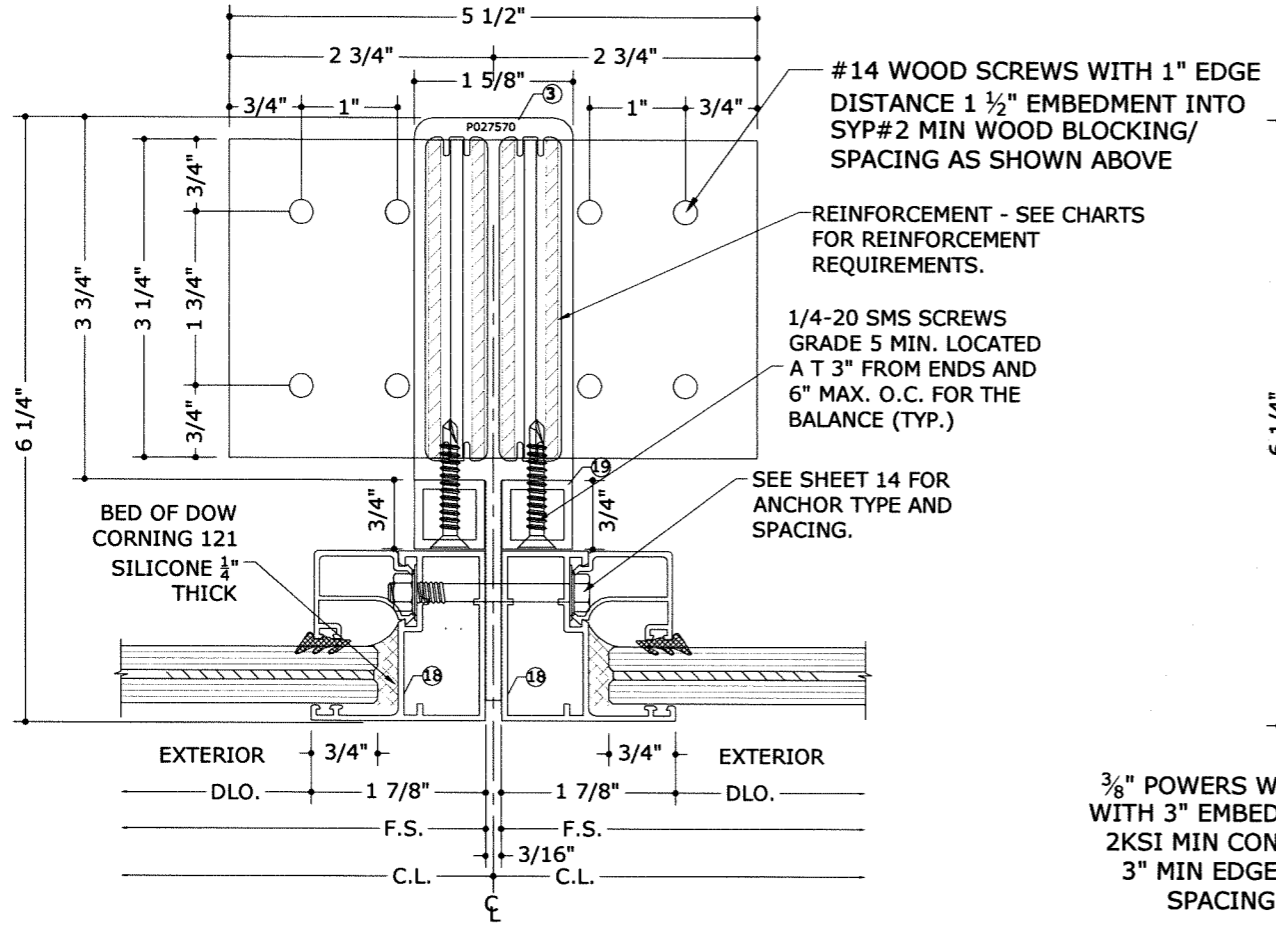
THIS DOCUMENT IS THE PROPERTY OF ENGINEERING EXPRESS AND SHALL NOT BE REPRODUCED IN WHOLE OR PART WITHOUT WRITTEN CONSENT OF ENGINEERING EXPRESS. ALTERATIONS, ADDITIONS, OR OTHER MARKINGS TO THIS DOCUMENT ARE NOT PERMITTED AND INVALIDATE OUR CERTIFICATION.

COPYRIGHT ENGINEERING EXPRESS®

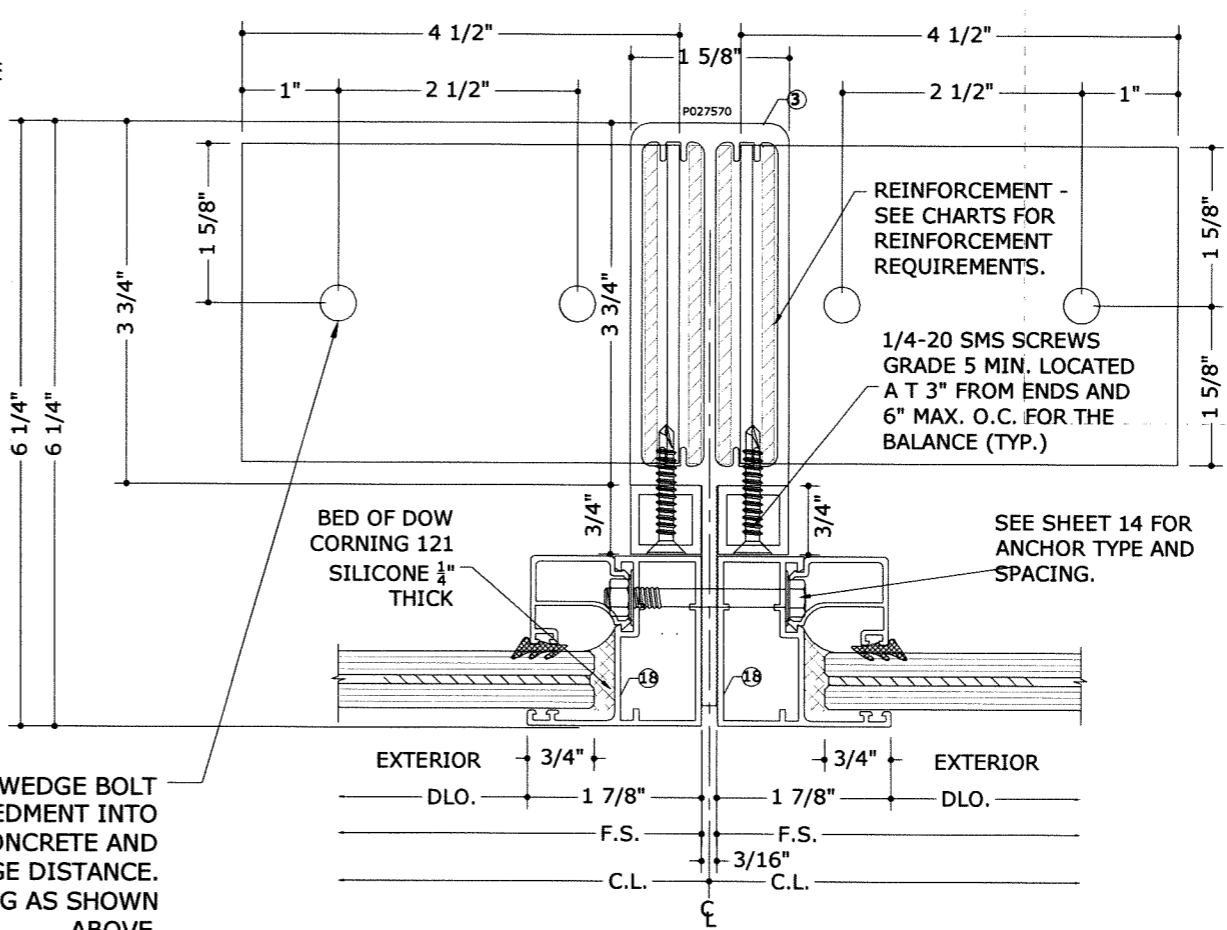
15-2573
SCALE: NTS UNLESS NOTED

NOTE:
WOOD BUCKS AND METAL STRUCTURES NOT BY LA FINESTRA MUST SUSTAIN LOADS IMPOSED BY GLAZING SYSTEM AND TRANSFER THEM TO THE BUILDING STRUCTURE.

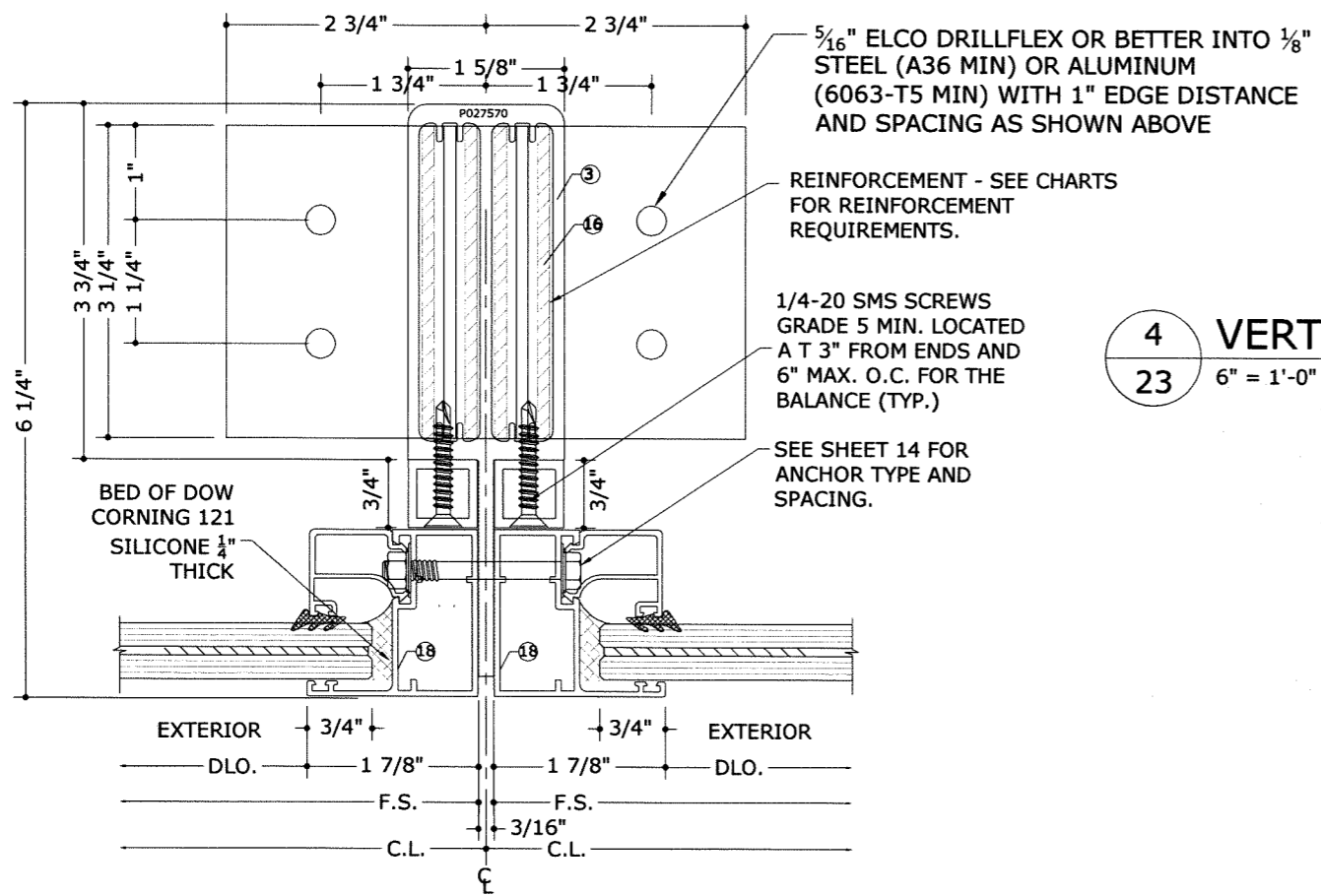
C:\Users\joem\appdata\local\temp\AcPublish_4064\15-2573_Cad for FL approval.dwg
joem
08/26/2016 - 8:47pm



4 VERTICAL INTERMEDIATE DETAIL
23 6" = 1'-0" WOOD ANCHORING
NON-REINF. + REINF.



4 VERTICAL INTERMEDIATE DETAIL
23 6" = 1'-0" CONCRETE
NON-REINF. + REINF. + UNITIZED



4 VERTICAL INTERMEDIATE DETAIL
23 6" = 1'-0" METAL ANCHORING
NON-REINF. + REINF.

NOTE:
WOOD BUCKS AND METAL STRUCTURES NOT BY LA FINESTRA
MUST SUSTAIN LOADS IMPOSED BY GLAZING SYSTEM AND
TRANSFER THEM TO THE BUILDING STRUCTURE.

FRANK L. PENNARDO
Professional Engineer
No. 08726/2015
Professional Engineer
No. 08726/2015
CORPORATE OFFICE:
ENGINEERING EXPRESS®
160 SW 12th AVE, SUITE 105
DEERFIELD BEACH, FL 33442
P: (954) 354-0660 F: (954) 354-0443
E: HELLO@ENGINEERINGEXPRESS.COM
ENGINEERINGEXPRESS.COM
CERT OF AUTH #9885

LA FINESTRA, LC
2790 NW 104TH COURT
DORAL, FL
(305) 599-8093
PREGLAZED WINDOW WALL
FLORIDA PRODUCT APPROVAL
FL18507.1-R2

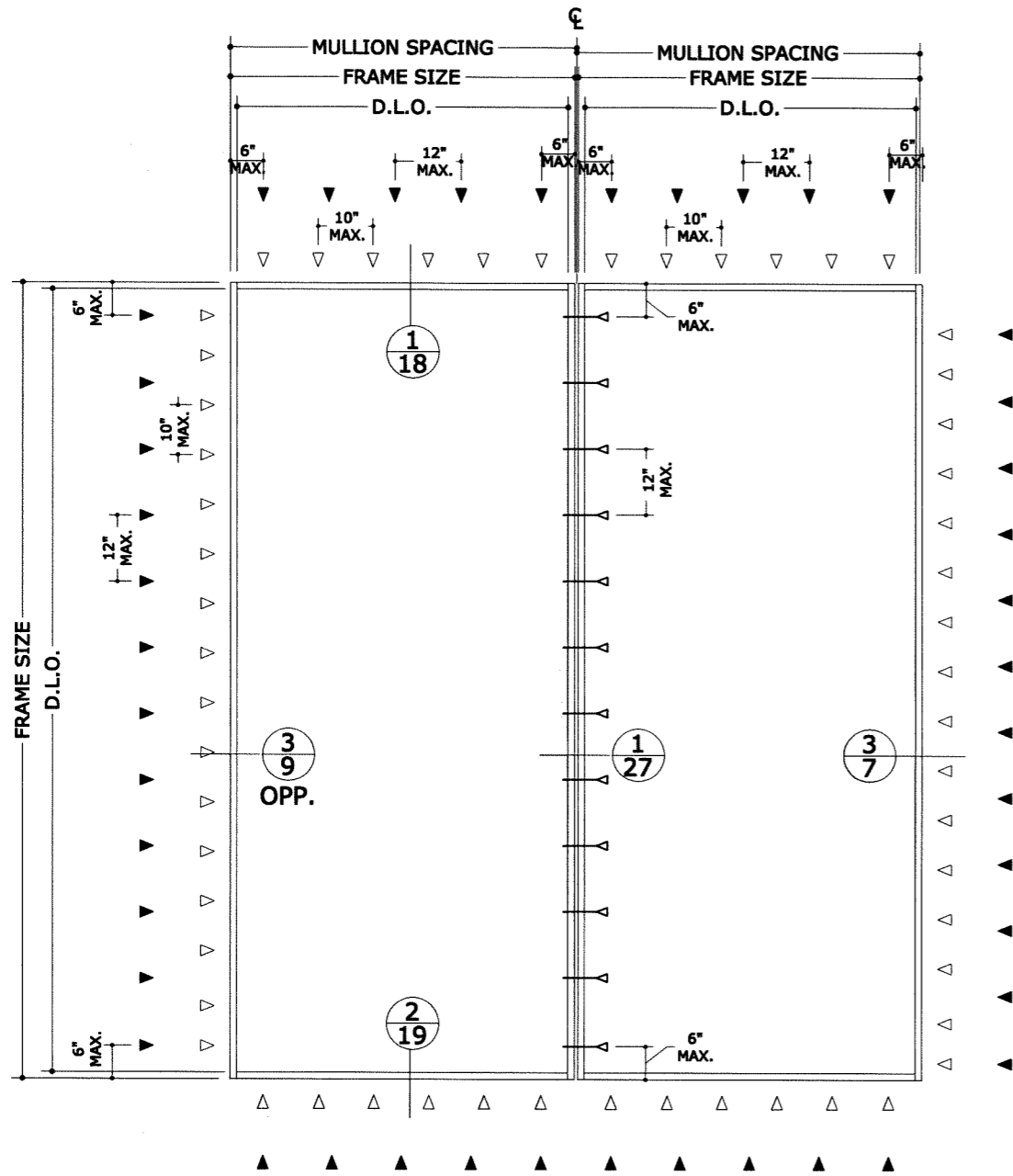
REMARKS	DRWN	CHKD	DATE
INIT ISSUE	SSQ	FLB	08/31/15
REV1	SSQ	FLB	12/18/15
REV2	JEM	FLB	08/26/16

THIS DOCUMENT IS THE PROPERTY OF ENGINEERING EXPRESS AND SHALL NOT BE REPRODUCED IN WHOLE OR PART WITHOUT WRITTEN CONSENT OF ENGINEERING EXPRESS. ALTERATIONS, ADDITIONS, OR OTHER MARKINGS TO THIS DOCUMENT ARE NOT PERMITTED AND INVALIDATE OUR CERTIFICATION.

COPYRIGHT ENGINEERING EXPRESS®
15-2573
SCALE: NTS UNLESS NOTED
23 of 34

P027645 FRAME - UNITIZED

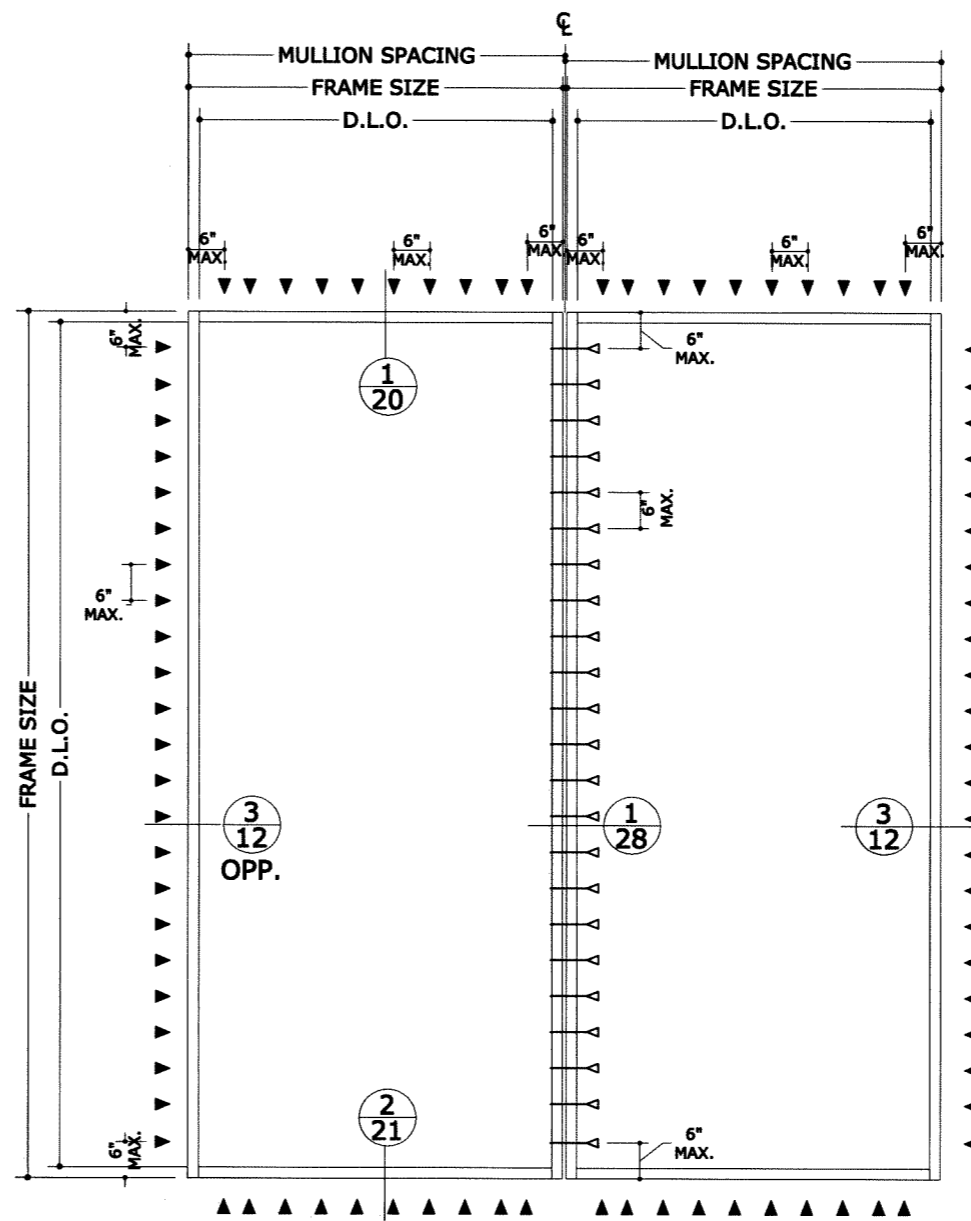
7013 FRAME - UNITIZED



D.L.O. = FRAME SIZE - 2 3/8"

ANCHOR TYPES

- △ 1/4" THRU-BOLT WITH FENDER WASHERS AND NUT
- ▼ 5/16" ULTRACON BY ELCO (Fu=177 KSI Fy= 155 KSI) WITH 1 3/4" MIN. EMBEDMENT INTO 3000 PSI. CONCRETE MIN. AND 2 3/16" MIN. EDGE DISTANCE.
- ▼ 1/4-20 SMS SCREWS GRADE 5 MIN. (Fu= 120 KSI Fy= 155 KSI) WITH 5 PINCHES MIN. PASS THE THREAD PLANE AND 1" MIN. EDGE DISTANCE INTO 1/8" MIN. THICK ALUMINUM (6063-T5 MIN.) OR 1/8" MIN THICK STEEL (A-36 MIN.)
- ▽ 5/16" ULTRACON BY ELCO (Fu=177 KSI Fy= 155 KSI) INTO 2BY WOOD BUCK (SYP#2 G= 0.55 MIN) WITH 1 1/2" MIN. ENGAGEMENT INTO WOOD AND 1" MIN. EDGE DISTANCE.



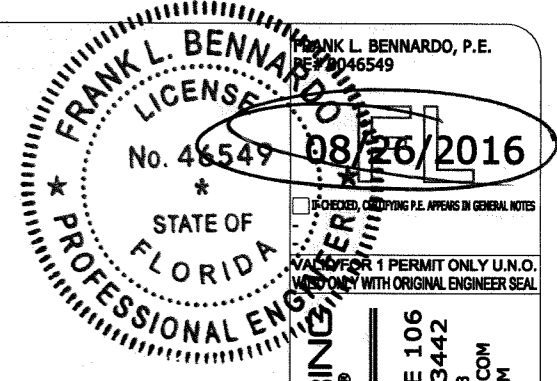
D.L.O. = FRAME SIZE - 3 5/8"

ANCHOR TYPES

- △ 1/4" THRU-BOLT WITH FENDER WASHERS AND NUT
- ▼ 5/16" ULTRACON BY ELCO (Fu=177 KSI Fy= 155 KSI) WITH 1 3/4" MIN. EMBEDMENT INTO 3000 PSI. CONCRETE MIN. AND 2 3/16" MIN. EDGE DISTANCE.
- ▼ 1/4-20 SMS SCREWS GRADE 5 MIN. (Fu= 120 KSI Fy= 155 KSI) WITH 5 PINCHES MIN. PASS THE THREAD PLANE AND 1" MIN. EDGE DISTANCE INTO 1/8" MIN. THICK ALUMINUM (6063-T5 MIN.) OR 1/8" MIN THICK STEEL (A-36 MIN.)
- ▼ 5/16" ULTRACON BY ELCO (Fu=177 KSI Fy= 155 KSI) INTO 2BY WOOD BUCK (SYP#2 G= 0.55 MIN) WITH 1 1/2" MIN. ENGAGEMENT INTO WOOD AND 1" MIN. EDGE DISTANCE.

NOTE:
SIZES ARE THE MAXIMUM ALLOWED UNLESS ADDRESSED SEPARATELY UNDER SITE SPECIFIC ENGINEERING PER FLORIDA BUILDING CODE 2411.3.2.4 1710.3.1

NOTE:
FOR PRESSURES USING TESTED MULLIONS
SEE CHARTS ON SHEETS 25 & 26



ENGINEERING EXPRESS
CORPORATE OFFICE:
160 SW 12th AVE, SUITE 106
DEERFIELD BEACH, FL 33442
P: (954) 354-0660 F: (954) 354-0443
E: HELLO@ENGINEERINGEXPRESS.COM
ENGINEERINGEXPRESS.COM
CERT OF AUTH #9885

LA FINESTRA, LC
2790 NW 104TH COURT
DORAL, FL
(305) 599-8093
PREGLAZED WINDOW WALL
FLORIDA PRODUCT APPROVAL
FL18507.1-R2

DRWN	CHKD	DATE
SSQ	FLB	08/31/15
SSQ	FLB	12/18/15
JEM	FLB	08/28/16

REMARKS
INIT ISSUE
REV1
REV2

THIS DOCUMENT IS THE PROPERTY OF ENGINEERING EXPRESS AND SHALL NOT BE REPRODUCED IN WHOLE OR IN PART WITHOUT WRITTEN CONSENT OF ENGINEERING EXPRESS. ALTERATIONS, ADDITIONS, OR OTHER MARKINGS TO THIS DOCUMENT ARE NOT PERMITTED AND INVALIDATE OUR CERTIFICATION.

COPYRIGHT ENGINEERING EXPRESS

15-2573
SCALE: NTS UNLESS NOTED
24
34

C:\Users\joem\appdata\local\temp\AcPublish_406415-2573j_Cad for FL approval.dwg

MULLION DESIGN CAPACITY (PSF)			
NOMINAL DIMS		LARGE UNITIZED	
WIDTH	HEIGHT	(+) P.S.F.	(-) P.S.F.
36"	48"	+120	-140
42"		+120	-140
46"		+120	-140
48.5"		+120	-140
54"		+120	-140
60.25"		+120	-140
62.375"		+120	-140
66"		+120	-140
72"		+120	-140
78"		+120	-140
84"		+120	-140
90"		+120	-140
96"		+120	-140
102"		+120	-140
108"		+120	-140
114"		+120	-140
120"		+120	-140
126"		+120	-140
132"		+120	-140
138"		+120	-140
144"	+120	-140	
150"	+120	-140	
156"	+120	-140	

MULLION DESIGN CAPACITY (PSF)			
NOMINAL DIMS		LARGE UNITIZED	
WIDTH	HEIGHT	(+) P.S.F.	(-) P.S.F.
36"	60"	+120	-140
42"		+120	-140
46"		+120	-140
48.5"		+120	-140
54"		+120	-140
60.25"		+120	-140
62.375"		+120	-140
66"		+120	-140
72"		+120	-140
78"		+120	-140
84"		+120	-140
90"		+120	-140
96"		+120	-140
102"		+120	-140
108"		+120	-140
114"		+120	-140
120"		+120	-140
126"		+120	-140
132"		+120	-140
138"		+120	-140
144"	+120	-140	
150"	+120	-140	
156"	+120	-140	

MULLION DESIGN CAPACITY (PSF)			
NOMINAL DIMS		LARGE UNITIZED	
WIDTH	HEIGHT	(+) P.S.F.	(-) P.S.F.
36"	72"	+120	-140
42"		+120	-140
46"		+120	-140
48.5"		+120	-140
54"		+120	-140
60.25"		+120	-140
62.375"		+120	-140
66"		+120	-140
72"		+120	-140
78"		+120	-140
84"		+120	-140
90"		+120	-140
96"		+120	-140
102"		+120	-140
108"		+120	-140
114"		+120	-140
120"		+120	-140
126"		+120	-140
132"		+120	-140
138"		+120	-140
144"	+120	-140	
150"	+120	-140	
156"	+120	-140	

MULLION DESIGN CAPACITY (PSF)			
NOMINAL DIMS		LARGE UNITIZED	
WIDTH	HEIGHT	(+) P.S.F.	(-) P.S.F.
36"	84"	+120	-140
42"		+120	-140
46"		+120	-140
48.5"		+120	-140
54"		+120	-140
60.25"		+120	-140
62.375"		+120	-140
66"		+120	-140
72"		+120	-140
78"		+120	-140
84"		+120	-140
90"		+120	-140
96"		+120	-140
102"		+120	-140
108"		+120	-140
114"		+120	-140
120"		+120	-140
126"		+120	-140
132"		+120	-140
138"		+120	-140
144"	+120	-140	
150"	+120	-140	
156"	+120	-140	

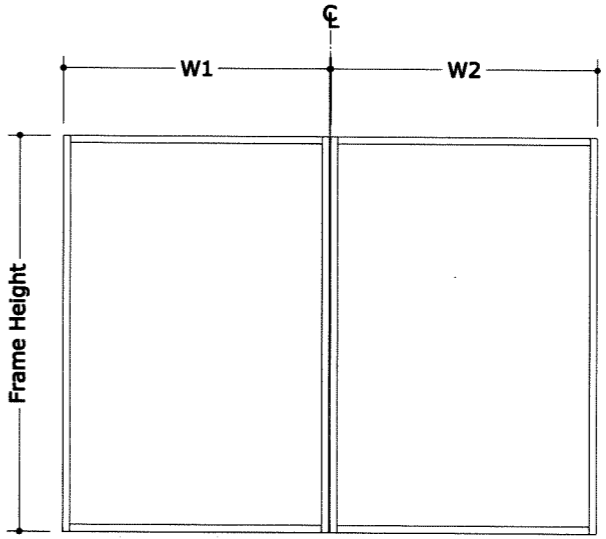
MULLION DESIGN CAPACITY (PSF)			
NOMINAL DIMS		LARGE UNITIZED	
WIDTH	HEIGHT	(+) P.S.F.	(-) P.S.F.
36"	96"	+120	-140
42"		+120	-140
46"		+120	-140
48.5"		+120	-140
54"		+120	-140
60.25"		+120	-140
62.375"		+120	-140
66"		+120	-140
72"		+120	-140
78"		+120	-140
84"		+120	-140
90"		+120	-140
96"		+120	-140
102"		+120	-140
108"		+120	-140
114"		+120	-140
120"		+120	-140
126"		+120	-140
132"		+120	-140
138"		+120	-140
144"	+120	-140	
150"	+120	-140	
156"	+120	-140	

36"	54"	+120	-140
42"		+120	-140
46"		+120	-140
48.5"		+120	-140
54"		+120	-140
60.25"		+120	-140
62.375"		+120	-140
66"		+120	-140
72"		+120	-140
78"		+120	-140
84"		+120	-140
90"		+120	-140
96"		+120	-140
102"		+120	-140
108"		+120	-140
114"		+120	-140
120"		+120	-140
126"		+120	-140
132"		+120	-140
138"		+120	-140
144"	+120	-140	
150"	+120	-140	
156"	+120	-140	

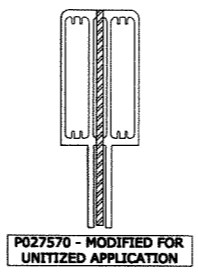
36"	66"	+120	-140
42"		+120	-140
46"		+120	-140
48.5"		+120	-140
54"		+120	-140
60.25"		+120	-140
62.375"		+120	-140
66"		+120	-140
72"		+120	-140
78"		+120	-140
84"		+120	-140
90"		+120	-140
96"		+120	-140
102"		+120	-140
108"		+120	-140
114"		+120	-140
120"		+120	-140
126"		+120	-140
132"		+120	-140
138"		+120	-140
144"	+120	-140	
150"	+120	-140	
156"	+120	-140	

36"	78"	+120	-140
42"		+120	-140
46"		+120	-140
48.5"		+120	-140
54"		+120	-140
60.25"		+120	-140
62.375"		+120	-140
66"		+120	-140
72"		+120	-140
78"		+120	-140
84"		+120	-140
90"		+120	-140
96"		+120	-140
102"		+120	-140
108"		+120	-140
114"		+120	-140
120"		+120	-140
126"		+120	-140
132"		+120	-140
138"		+120	-140
144"	+120	-140	
150"	+120	-140	
156"	+120	-140	

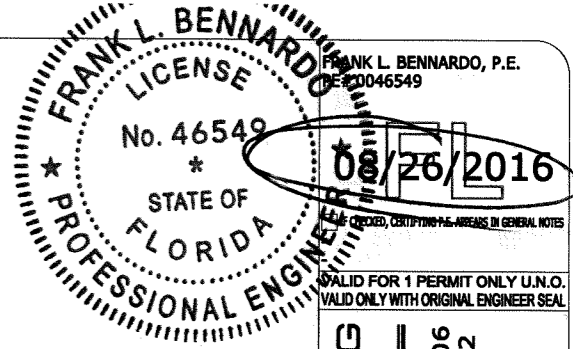
36"	90"	+120	-140
42"		+120	-140
46"		+120	-140
48.5"		+120	-140
54"		+120	-140
60.25"		+120	-140
62.375"		+120	-140
66"		+120	-140
72"		+120	-140
78"		+120	-140
84"		+120	-140
90"		+120	-140
96"		+120	-140
102"		+120	-140
108"		+120	-140
114"		+120	-140
120"		+120	-140
126"		+120	-140
132"		+120	-140
138"		+120	-140
144"	+120	-140	
150"	+120	-140	
156"	+120	-140	



$$\text{WIDTH} = \frac{W1+W2}{2}$$



NOTE: FOR ALLOWABLE PRESSURES THE LOWEST PRESSURE RATING OF MULLION AND FIXED WINDOW SHALL APPLY.



ENGINEERING EXPRESS®
 CORPORATE OFFICE:
 160 SW 12th AVE, SUITE 106
 DEERFIELD BEACH, FL 33442
 P: (954) 354-0660 F: (954) 354-0443
 E: HELLO@ENGINEERINGEXPRESS.COM
 ENGINEERINGEXPRESS.COM
 CERT OF AUTH #9885

LA FINESTRA, LC
 2790 NW 104TH COURT
 DORAL, FL
 (305) 599-8093
 PREGLAZED WINDOW WALL
 FLORIDA PRODUCT APPROVAL
 FL18507.1-R2

REMARKS	DRWN	CHKD	DATE
INIT ISSUE	SSQ	FLB	08/31/15
REV1	SSQ	FLB	12/18/15
REV2	JEM	FLB	08/26/16

THIS DOCUMENT IS THE PROPERTY OF ENGINEERING EXPRESS. IT IS TO BE USED ONLY FOR THE PROJECT AND SITE SPECIFICALLY IDENTIFIED HEREIN. ANY REUSE OR MODIFICATION OF THIS DOCUMENT WITHOUT THE WRITTEN PERMISSION OF ENGINEERING EXPRESS IS STRICTLY PROHIBITED AND WILL INvalidate OUR CERTIFICATION.

COPYRIGHT ENGINEERING EXPRESS®
 15-2573
 SCALE: NTS UNLESS NOTED
 OF 34
 25

C:\Users\joem\appdata\local\temp\AcPublish_4064115-2573_Cad for FL approval.dwg

08/26/2016 - 8:47pm joem

MULLION DESIGN CAPACITY (PSF)			
NOMINAL DIMS		LARGE UNITIZED	
WIDTH	HEIGHT	(+) P.S.F.	(-) P.S.F.
36"	102"	+120	-140
42"		+120	-140
46"		+120	-140
48.5"		+120	-140
54"		+120	-140
60.25"		+120	-140
62.375"		+120	-140
66"		+120	-140
72"		+120	-140
78"		+120	-139
84"		+120	-136
90"		+120	-133
96"		+119	-132
102"		+118	-131
108"		+118	-131
114"		+118	-131
120"		+118	-131
126"	+118	-131	
132"	+118	-131	
138"	+118	-131	
144"	+118	-131	
150"	+118	-131	
156"	+118	-131	

MULLION DESIGN CAPACITY (PSF)			
NOMINAL DIMS		LARGE UNITIZED	
WIDTH	HEIGHT	(+) P.S.F.	(-) P.S.F.
36"	114"	+120	-140
42"		+120	-140
46"		+120	-140
48.5"		+120	-140
54"		+120	-140
60.25"		+120	-135
62.375"		+119	-132
66"		+115	-128
72"		+109	-122
78"		+105	-117
84"		+102	-113
90"		+99	-110
96"		+97	-108
102"		+96	-106
108"		+95	-105
114"		+95	-105
120"		+95	-105
126"	+95	-105	
132"	+95	-105	
138"	+95	-105	
144"	+95	-105	
150"	+95	-105	
156"	+95	-105	

MULLION DESIGN CAPACITY (PSF)			
NOMINAL DIMS		LARGE UNITIZED	
WIDTH	HEIGHT	(+) P.S.F.	(-) P.S.F.
36"	122.375"	+120	-140
42"		+120	-140
46"		+120	-140
48.5"		+120	-140
54"		+119	-133
60.25"		+111	-123
62.375"		+108	-120
66"		+104	-116
72"		+99	-110
78"		+94	-105
84"		+91	-101
90"		+88	-98
96"		+86	-96
102"		+84	-94
108"		+83	-92
114"		+82	-92
120"		+82	-91
126"	+82	-91	
132"	+82	-91	
138"	+82	-91	
144"	+82	-91	
150"	+82	-91	
156"	+82	-91	

MULLION DESIGN CAPACITY (PSF)			
NOMINAL DIMS		LARGE UNITIZED	
WIDTH	HEIGHT	(+) P.S.F.	(-) P.S.F.
36"	132"	+120	-140
42"		+120	-140
46"		+120	-136
48.5"		+118	-131
54"		+108	-121
60.25"		+100	-111
62.375"		+98	-109
66"		+94	-105
72"		+89	-99
78"		+85	-94
84"		+81	-90
90"		+78	-87
96"		+76	-85
102"		+74	-82
108"		+72	-80
114"		+70	-78
120"		+69	-77
126"	+69	-76	
132"	+69	-76	
138"	+69	-76	
144"	+69	-76	
150"	+69	-76	
156"	+69	-76	

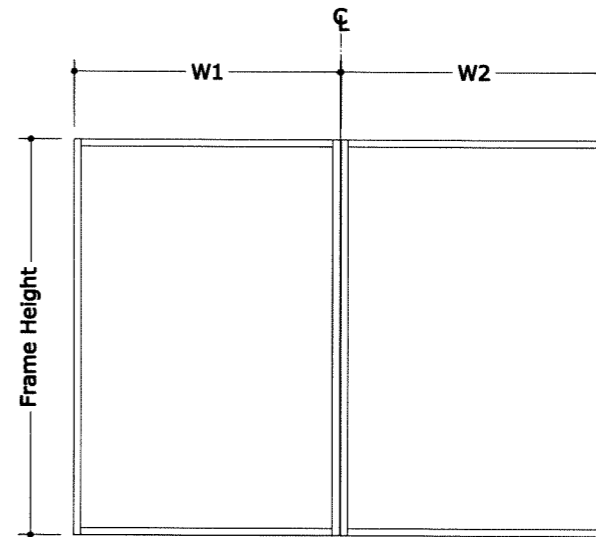
MULLION DESIGN CAPACITY (PSF)			
NOMINAL DIMS		LARGE UNITIZED	
WIDTH	HEIGHT	(+) P.S.F.	(-) P.S.F.
36"	144"	+120	-140
42"		+119	-132
46"		+110	-123
48.5"		+106	-118
54"		+97	-108
60.25"		+90	-99
62.375"		+87	-96
66"		+83	-92
72"		+77	-85
78"		+72	-80
84"		+68	-76
90"		+65	-72
96"		+62	-69
102"		+60	-66
108"		+58	-64
114"		+56	-62
120"		+55	-61
126"	+54	-60	
132"	+53	-59	
138"	+53	-59	
144"	+53	-59	
150"	+53	-59	
156"	+53	-59	

36"	108"	+120	-140
42"		+120	-140
46"		+120	-140
48.5"		+120	-140
54"		+120	-140
60.25"		+120	-140
62.375"		+120	-140
66"		+120	-138
72"		+119	-132
78"		+114	-127
84"		+111	-123
90"		+108	-121
96"		+107	-119
102"		+106	-118
108"		+105	-117
114"		+105	-117
120"		+105	-117
126"	+105	-117	
132"	+105	-117	
138"	+105	-117	
144"	+105	-117	
150"	+105	-117	
156"	+105	-117	

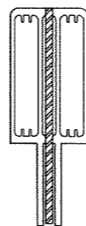
36"	120"	+120	-140
42"		+120	-140
46"		+120	-140
48.5"		+120	-140
54"		+120	-136
60.25"		+114	-126
62.375"		+111	-123
66"		+107	-119
72"		+102	-113
78"		+97	-108
84"		+94	-104
90"		+91	-101
96"		+89	-99
102"		+87	-97
108"		+86	-96
114"		+85	-95
120"		+85	-95
126"	+85	-95	
132"	+85	-95	
138"	+85	-95	
144"	+85	-95	
150"	+85	-95	
156"	+85	-95	

36"	126"	+120	-140
42"		+120	-140
46"		+120	-140
48.5"		+120	-139
54"		+115	-128
60.25"		+106	-118
62.375"		+104	-116
66"		+100	-111
72"		+95	-105
78"		+90	-101
84"		+87	-97
90"		+84	-94
96"		+82	-91
102"		+80	-89
108"		+79	-88
114"		+78	-87
120"		+77	-86
126"	+77	-86	
132"	+77	-86	
138"	+77	-86	
144"	+77	-86	
150"	+77	-86	
156"	+77	-86	

36"	138"	+120	-140
42"		+120	-139
46"		+116	-129
48.5"		+111	-124
54"		+103	-114
60.25"		+95	-105
62.375"		+92	-102
66"		+89	-99
72"		+84	-93
78"		+79	-88
84"		+75	-83
90"		+71	-79
96"		+69	-76
102"		+66	-74
108"		+64	-71
114"		+63	-70
120"		+61	-68
126"	+61	-67	
132"	+60	-67	
138"	+60	-67	
144"	+60	-67	
150"	+60	-67	
156"	+60	-67	

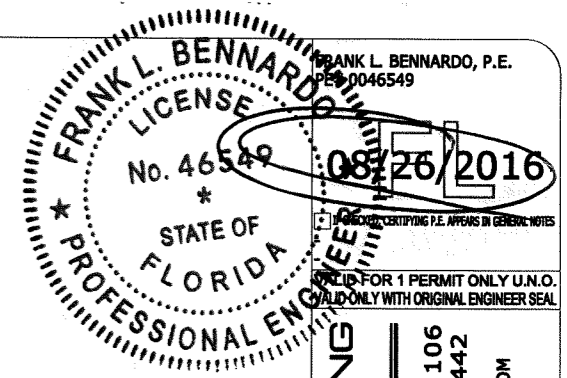


$$\text{WIDTH} = \frac{W1+W2}{2}$$



P027570 - MODIFIED FOR UNITIZED APPLICATION

NOTE: FOR ALLOWABLE PRESSURES THE LOWEST PRESSURE RATING OF MULLION AND FIXED WINDOW SHALL APPLY.



ENGINEERING EXPRESS®
 CORPORATE OFFICE:
 160 SW 12th AVE, SUITE 106
 DEERFIELD BEACH, FL 33442
 P: (954) 354-0660 F: (954) 354-0443
 E: HELLO@ENGINEERINGEXPRESS.COM
 ENGINEERINGEXPRESS.COM
 CERT OF AUTH #9885

LA FINESTRA, LC
 2790 NW 104TH COURT
 DORAL, FL
 (305) 599-8093
 PREGLAZED WINDOW WALL
 FLORIDA PRODUCT APPROVAL
 FL18507.1-R2

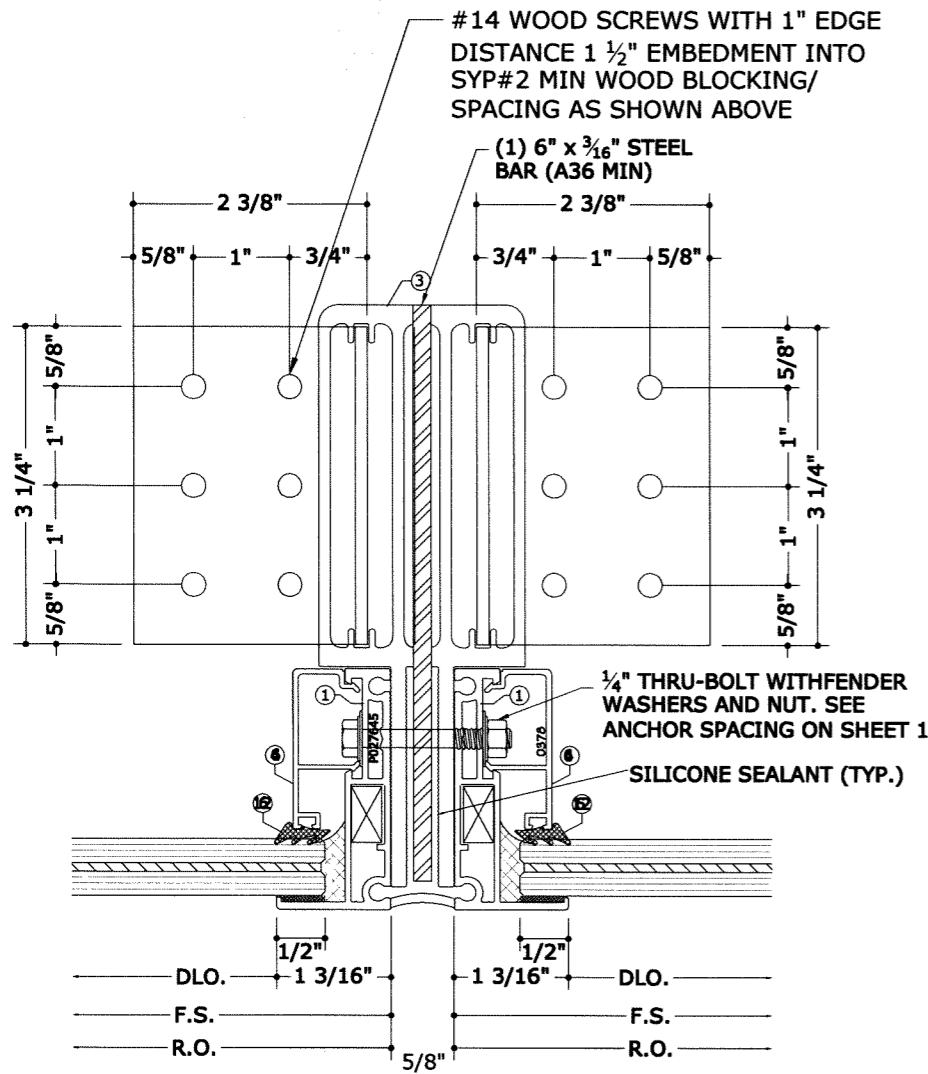
DRWN	CHKD	DATE
SSQ	FLB	08/31/15
SSQ	FLB	12/18/15
JEM	FLB	08/28/16

REMARKS
 INIT ISSUE
 REV1
 REV2

THIS DOCUMENT IS THE PROPERTY OF ENGINEERING EXPRESS AND SHALL NOT BE REPRODUCED IN WHOLE OR PART WITHOUT WRITTEN CONSENT OF ENGINEERING EXPRESS. ALTERATIONS, ADDITIONS, OR OTHER MARKINGS TO THIS DOCUMENT ARE NOT PERMITTED AND INVALIDATE OUR CERTIFICATION.

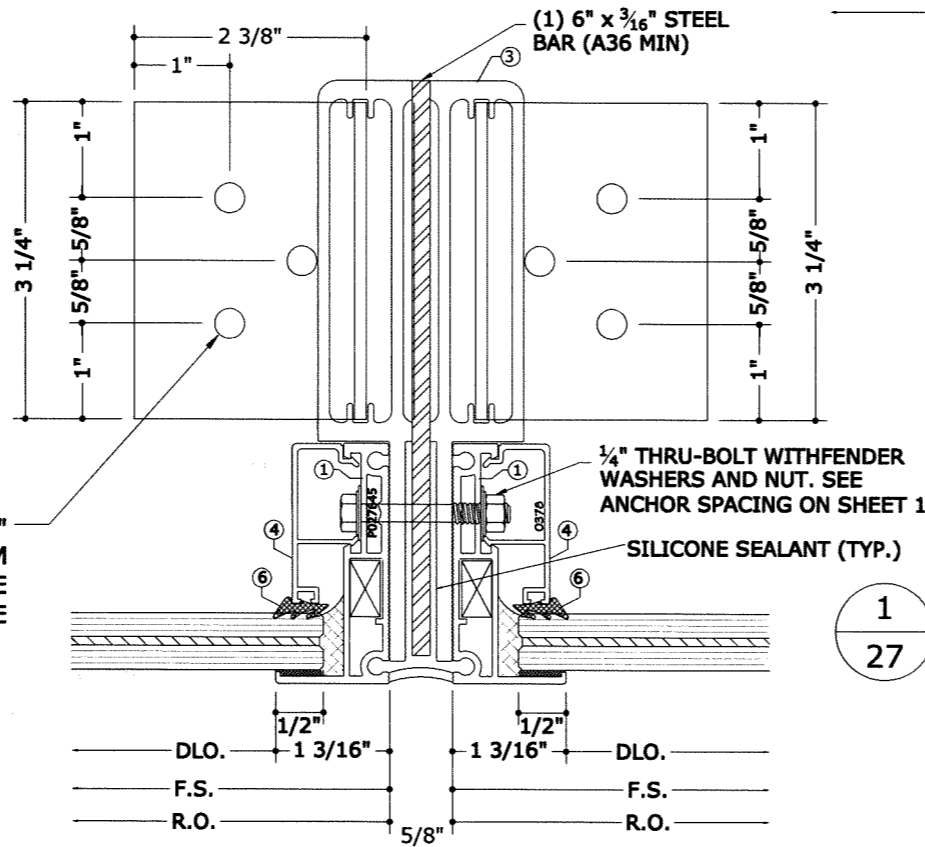
COPYRIGHT ENGINEERING EXPRESS®
 15-2573
 SCALE: NTS UNLESS NOTED
 26 of 34

C:\Users\joem\appdata\local\temp\AcPublish_4064115-2573_Cad for FL approval.dwg
 joem
 08/26/2016 - 8:47pm



1
27 **JAMBS INTO MULLION**
 6" = 1'-0" WOOD ANCHORING
 UNITIZED

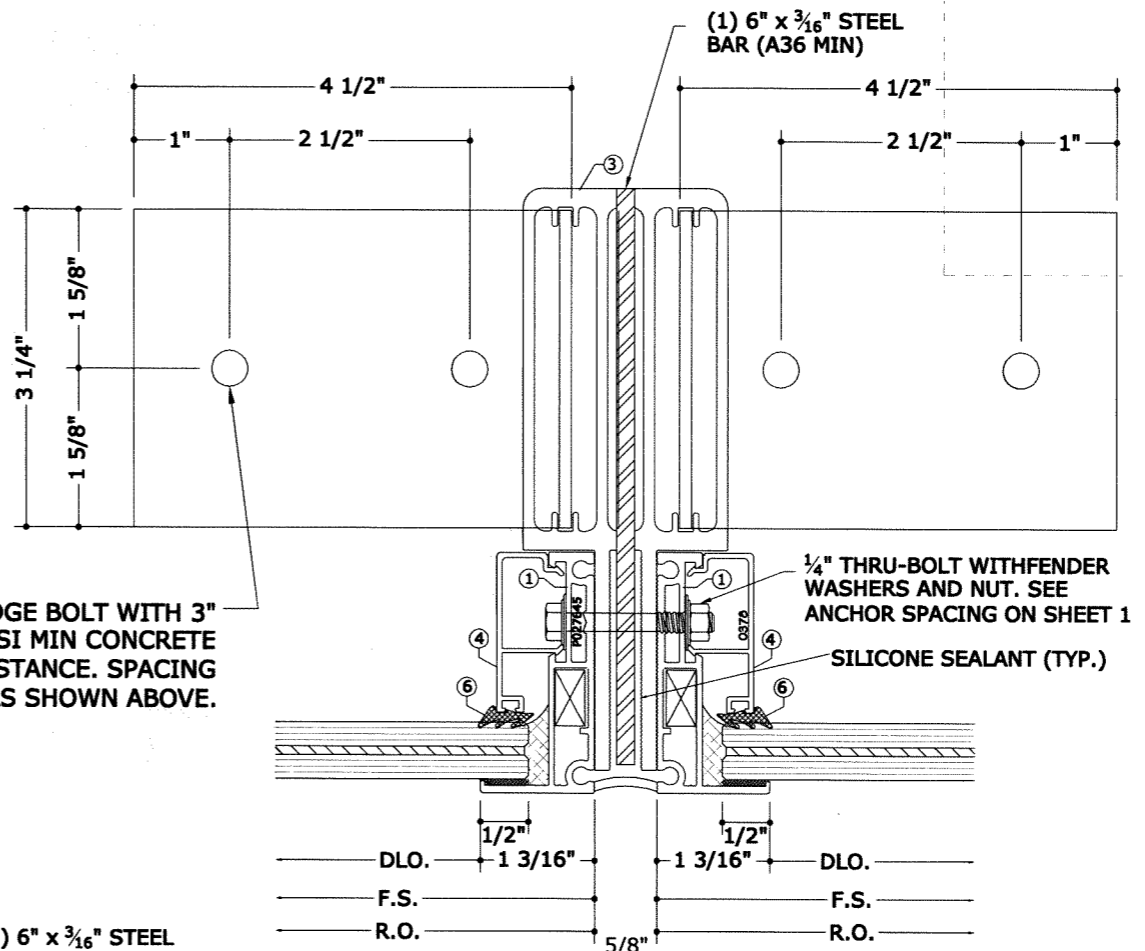
5/16" ELCO DRILLFLEX OR BETTER INTO 1/8" STEEL (A36 MIN) OR ALUMINUM (6063-T5 MIN) WITH 1" EDGE DISTANCE AND SPACING AS SHOWN ABOVE



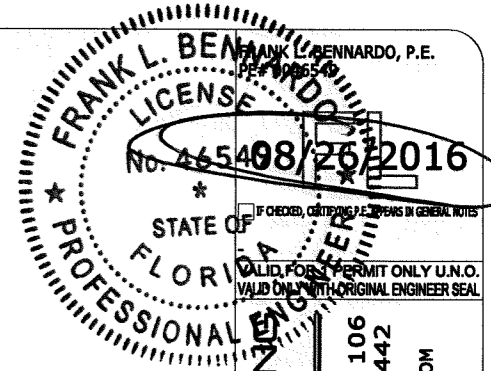
1
27 **JAMBS INTO MULLION**
 6" = 1'-0" METAL ANCHORING
 UNITIZED

NOTE:
 WOOD BUCKS AND METAL STRUCTURES NOT BY LA FINESTRA MUST SUSTAIN LOADS IMPOSED BY GLAZING SYSTEM AND TRANSFER THEM TO THE BUILDING STRUCTURE.

3/8" POWERS WEDGE BOLT WITH 3" EMBEDMENT INTO 2KSI MIN CONCRETE AND 3" MIN EDGE DISTANCE. SPACING AS SHOWN ABOVE.



1
27 **JAMBS INTO MULLION**
 6" = 1'-0" CONCRETE
 NON-REINF. + REINF. + UNITIZED



ENGINEERING EXPRESS®
 CORPORATE OFFICE:
 160 SW 12th AVE, SUITE 106
 DEERFIELD BEACH, FL 33442
 P: (954) 354-0660 F: (954) 354-0443
 E: HELLO@ENGINEERINGEXPRESS.COM
 CERT OF AUTH #9885

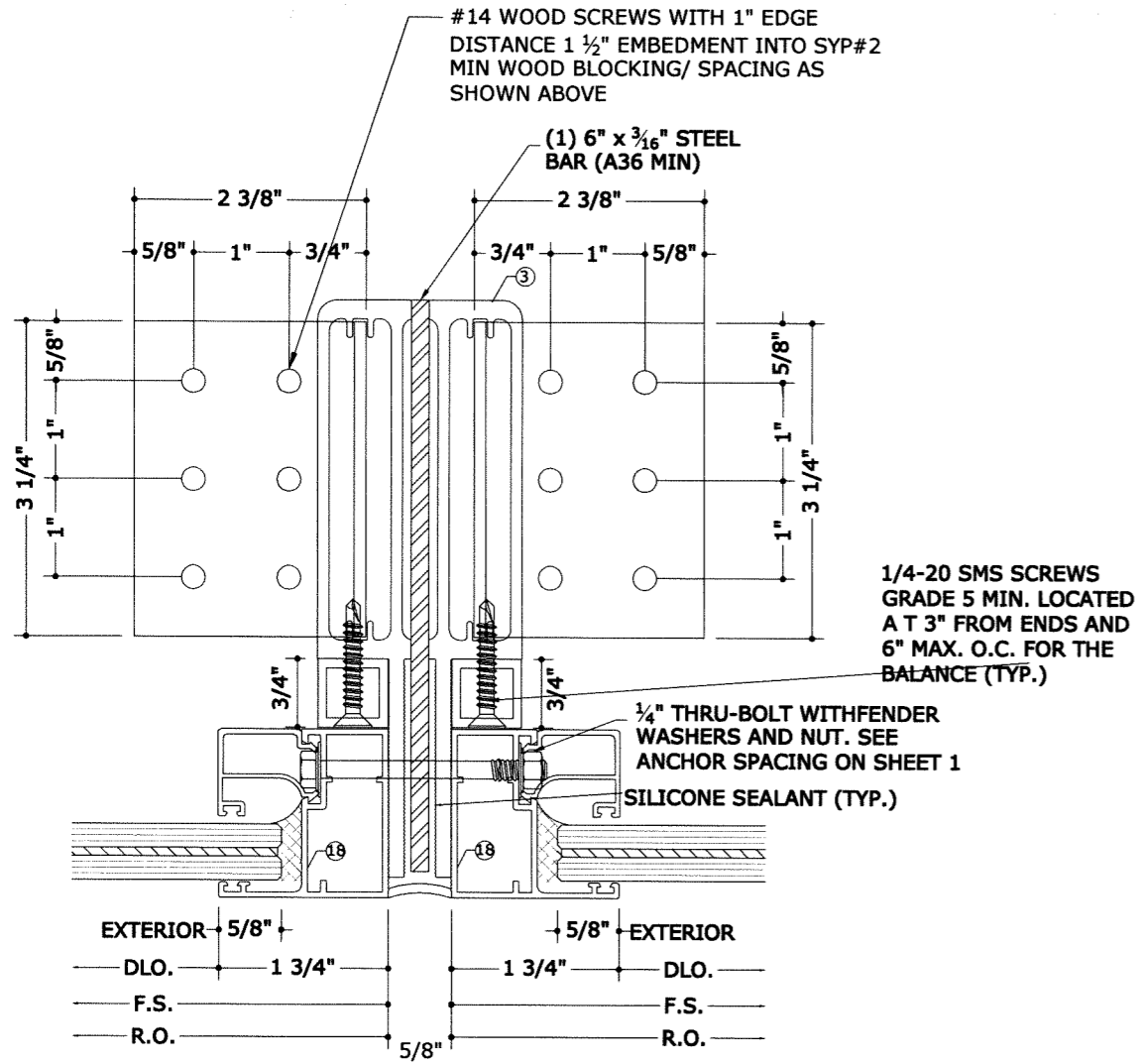
LA FINESTRA, LC
 2790 NW 104TH COURT
 DORAL, FL
 (305) 599-8093
 PREGLAZED WINDOW WALL
 FLORIDA PRODUCT APPROVAL
 FL18507.1-R2

DRWN	CHKD	DATE
SSQ	FLB	08/31/15
SSQ	FLB	12/18/15
JEM	FLB	08/28/16

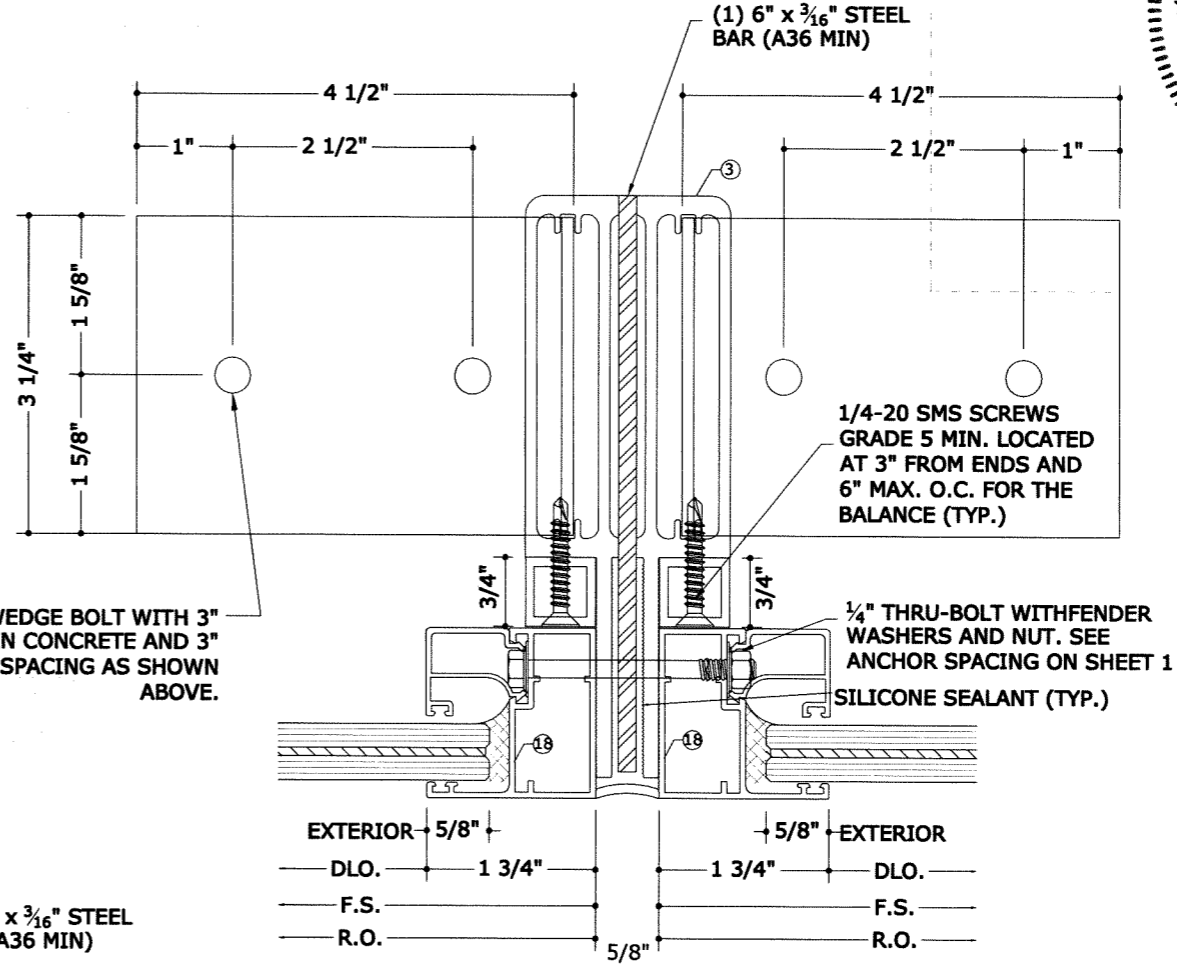
REMARKS
 INIT ISSUE
 REV1
 REV2

THIS DOCUMENT IS THE PROPERTY OF ENGINEERING EXPRESS AND SHALL NOT BE REPRODUCED IN WHOLE OR IN PART WITHOUT WRITTEN CONSENT OF ENGINEERING EXPRESS. ALTERATIONS, ADDITIONS, OR OTHER MARKINGS TO THIS DOCUMENT ARE NOT PERMITTED AND INVALIDATE OUR CERTIFICATION.

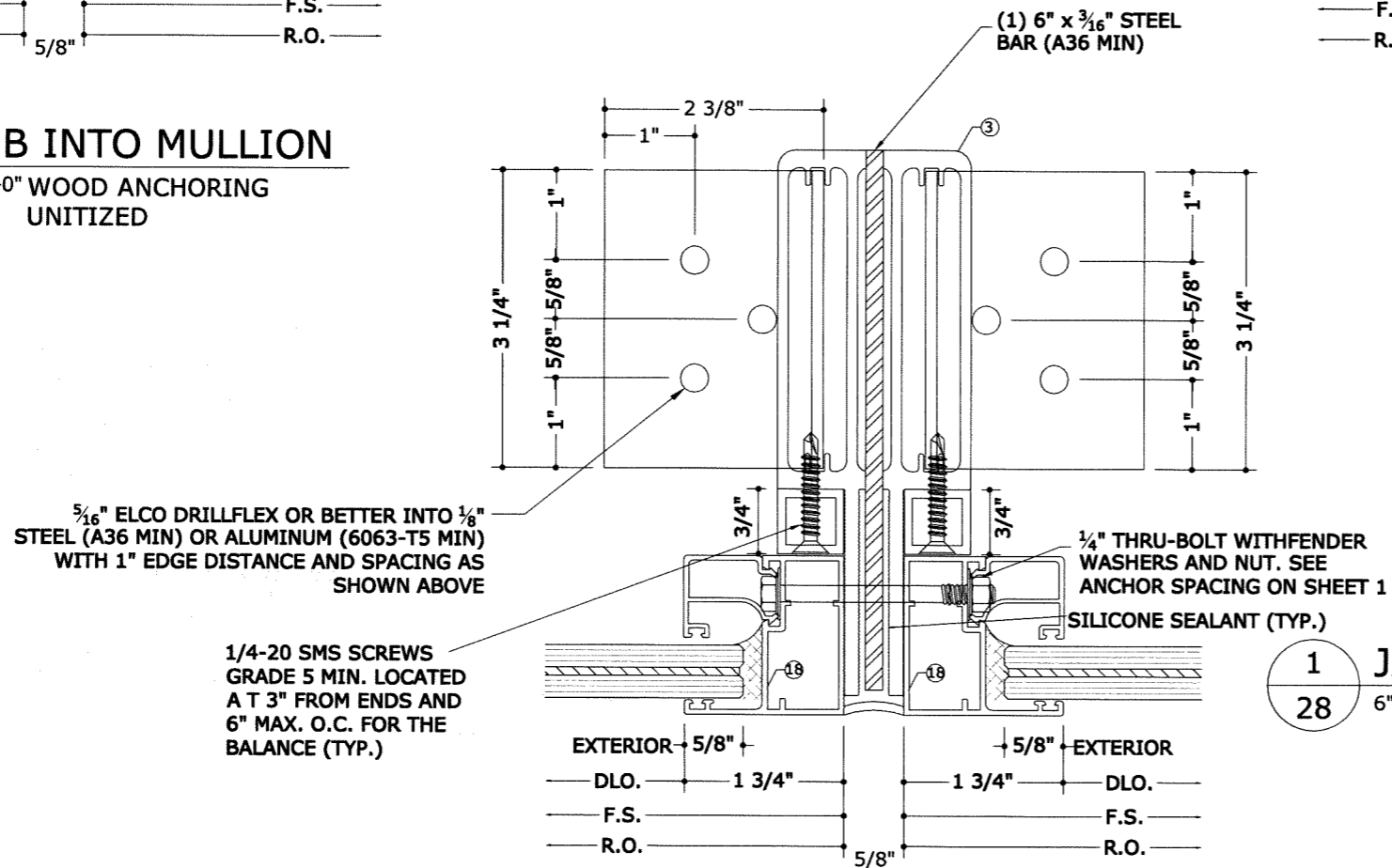
COPYRIGHT ENGINEERING EXPRESS®
 15-2573
 SCALE: NTS UNLESS NOTED
 27 of 34



1 JAMB INTO MULLION
28 6" = 1'-0" WOOD ANCHORING UNITIZED

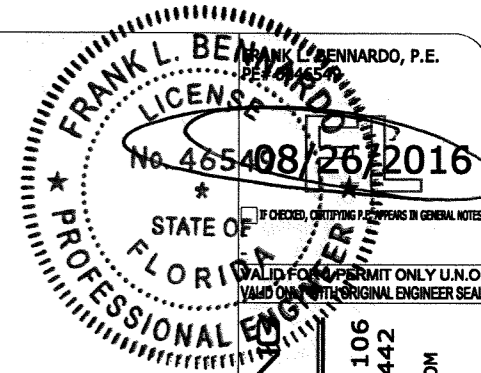


1 JAMB INTO MULLION
28 6" = 1'-0" CONCRETE NON-REINF. + REINF. + UNITIZED



1 JAMB INTO MULLION
28 6" = 1'-0" METAL ANCHORING UNITIZED

NOTE:
WOOD BUCKS AND METAL STRUCTURES NOT BY LA FINESTRA MUST SUSTAIN LOADS IMPOSED BY GLAZING SYSTEM AND TRANSFER THEM TO THE BUILDING STRUCTURE.



ENGINEERING EXPRESS
CORPORATE OFFICE:
160 SW 12th AVE, SUITE 106
DEERFIELD BEACH, FL 33442
P: (954) 354-0660 F: (954) 354-0443
E: HELLO@ENGINEERINGEXPRESS.COM
ENGINEERINGEXPRESS.COM
CERT OF AUTH #9885

LA FINESTRA, LC
2790 NW 104TH COURT
DORAL, FL
(305) 599-8093
PREGLAZED WINDOW WALL
FLORIDA PRODUCT APPROVAL
FL18507.1-R2

DRWN	CHKD	DATE
SSQ	FLB	08/31/15
SSQ	FLB	12/18/15
JEM	FLB	08/26/16

REMARKS
INIT ISSUE
REV1
REV2

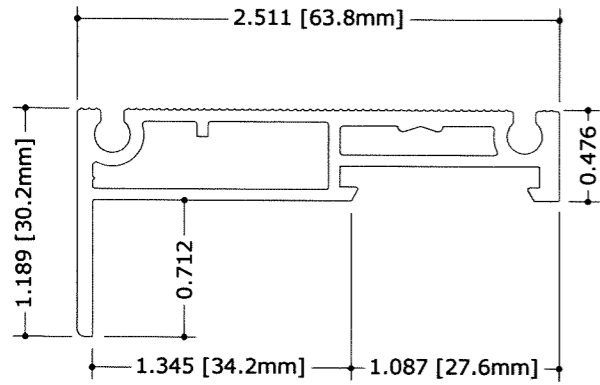
THIS DOCUMENT IS THE PROPERTY OF ENGINEERING EXPRESS AND SHALL NOT BE REPRODUCED IN WHOLE OR PART WITHOUT WRITTEN CONSENT OF ENGINEERING EXPRESS. ALTERATIONS, ADDITIONS, OR OTHER MARKINGS TO THIS DOCUMENT ARE NOT PERMITTED AND INVALIDATE OUR CERTIFICATION.

COPYRIGHT ENGINEERING EXPRESS®

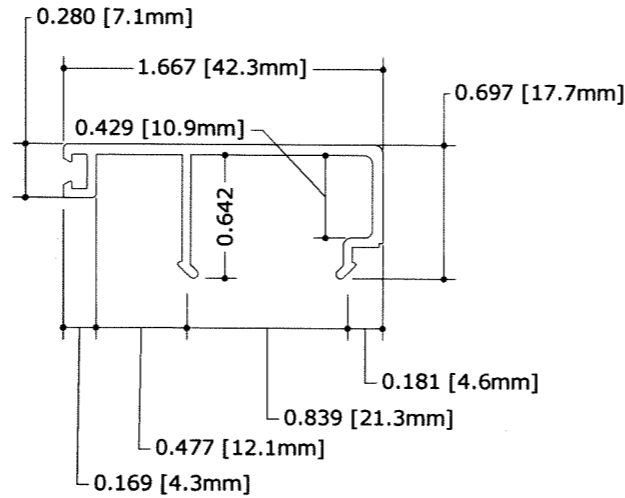
15-2573
SCALE: NTS UNLESS NOTED

C:\Users\joem\AppData\Local\Temp\AcP\publish_4064115-2573\Cad for FL approval.dwg

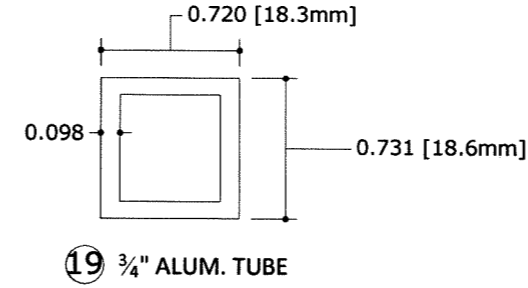
08/26/2016 - 8:47pm joem



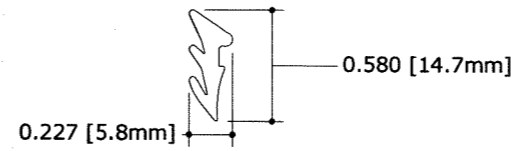
1 P027645



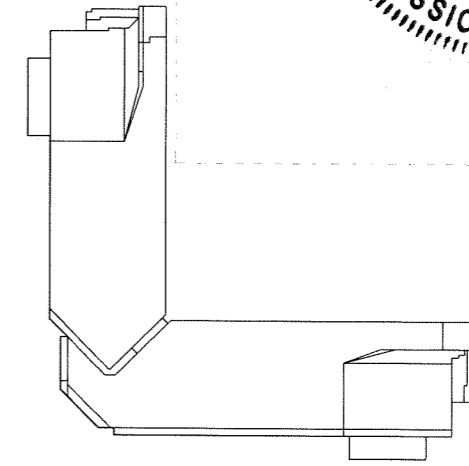
6 P027643



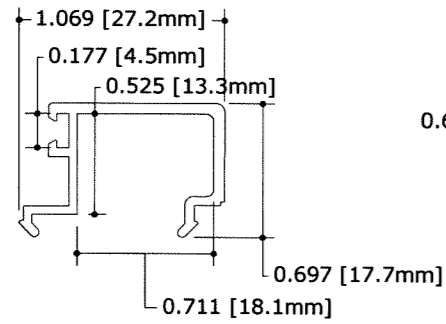
19 3/4" ALUM. TUBE



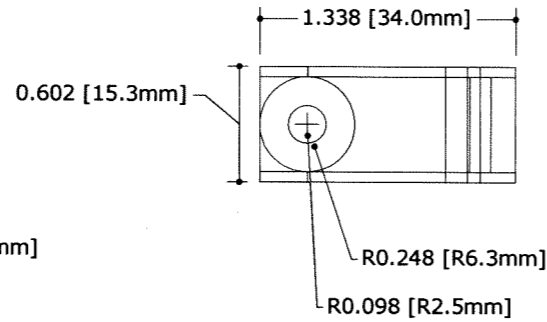
12 GLAZING WEDGE GASKET



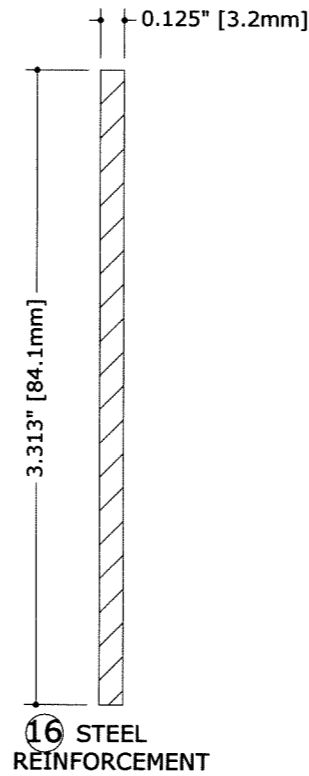
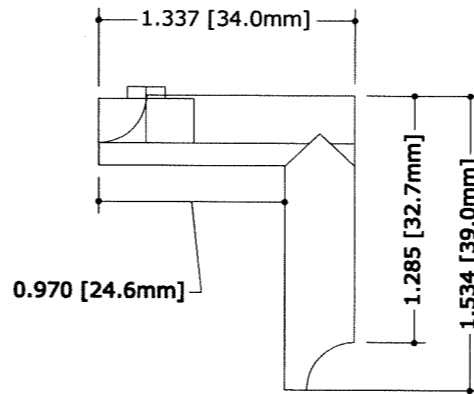
20 0409
CORNER KEY FOR
ARCHITECTURAL SHAPES



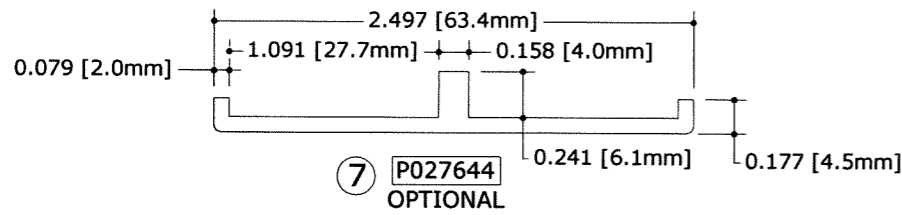
5 P027642



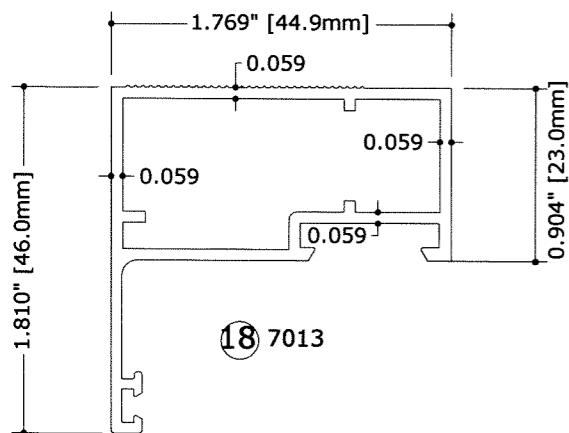
14 0378
CORNER KEY



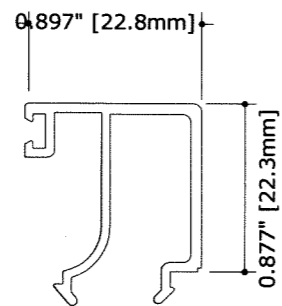
16 STEEL
REINFORCEMENT



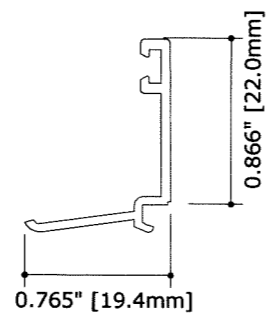
7 P027644
OPTIONAL



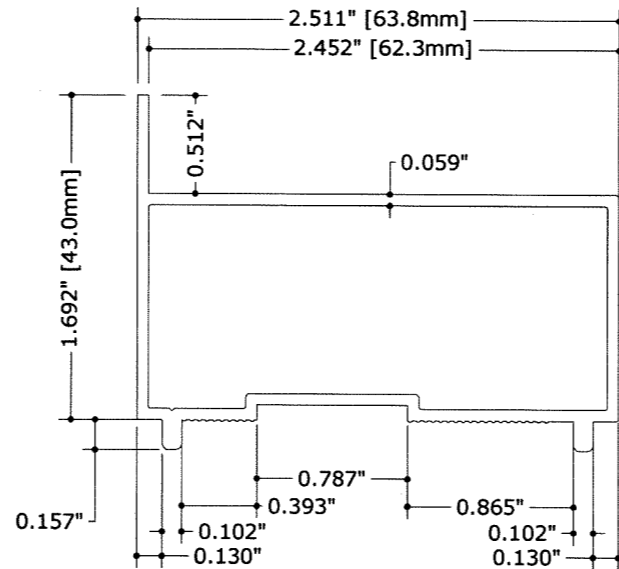
18 7013



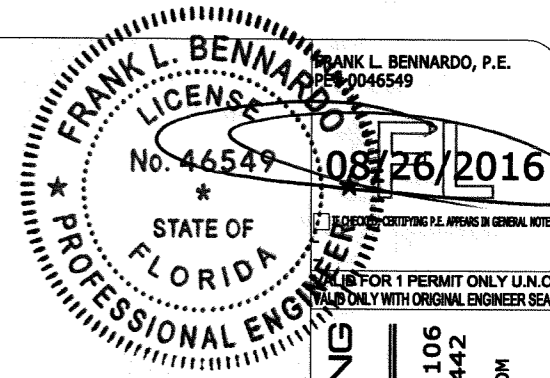
4 P027643



17 4293



15 P027646



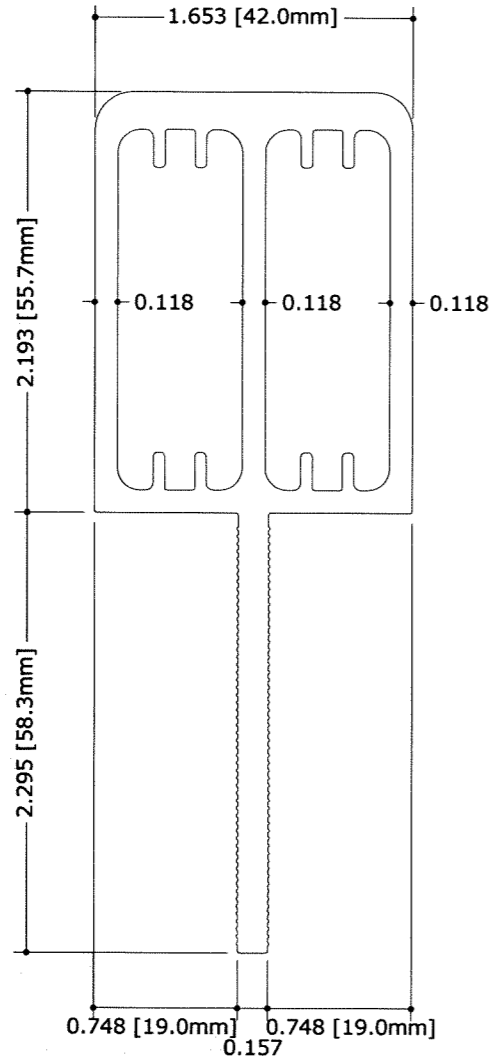
FRANK L. BENNARDO, P.E.
LICENSE No. 46549
STATE OF FLORIDA
PROFESSIONAL ENGINEER
CORPORATE OFFICE:
ENGINEERING EXPRESS®
160 SW 12th AVE, SUITE 106
DEERFIELD BEACH, FL 33442
P: (954) 354-0660 F: (954) 354-0443
E: HELLO@ENGINEERINGEXPRESS.COM
CERT OF AUTH #9885

LA FINESTRA, LC
2790 NW 104TH COURT
DORAL, FL
(305) 599-8093
PREGLAZED WINDOW WALL
FLORIDA PRODUCT APPROVAL
FL18507.1-R2

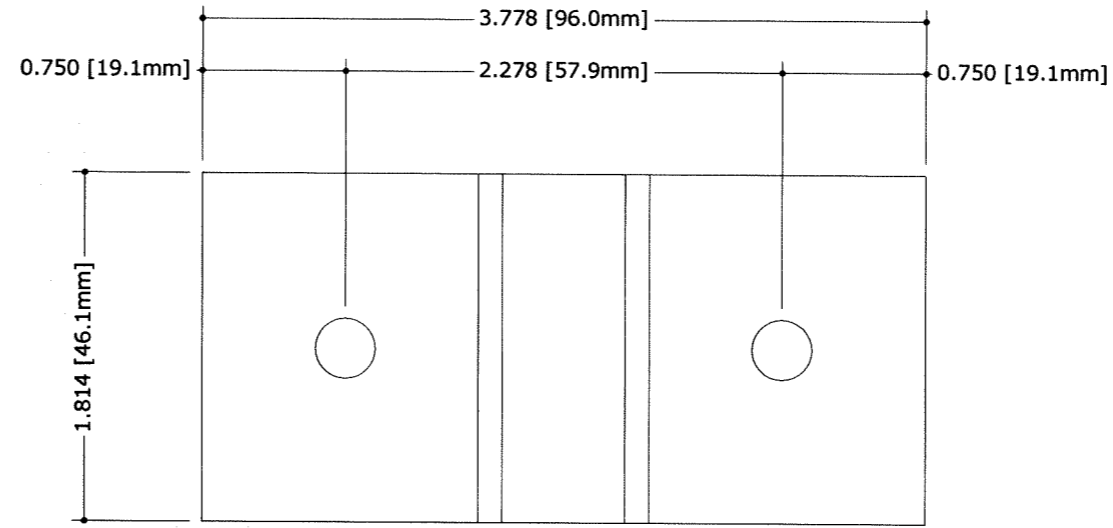
REMARKS	DRWN	CHKD	DATE
INIT ISSUE	SSQ	FLB	08/31/15
REV1	SSQ	FLB	12/16/15
REV2	JEM	FLB	08/26/16

THIS DOCUMENT IS THE PROPERTY OF ENGINEERING EXPRESS AND SHALL NOT BE REPRODUCED IN WHOLE OR PART WITHOUT WRITTEN CONSENT OF ENGINEERING EXPRESS. ALTERATIONS, ADDITIONS, OR OTHER MARKINGS TO THIS DOCUMENT ARE NOT PERMITTED AND INVALIDATE OUR CERTIFICATION.

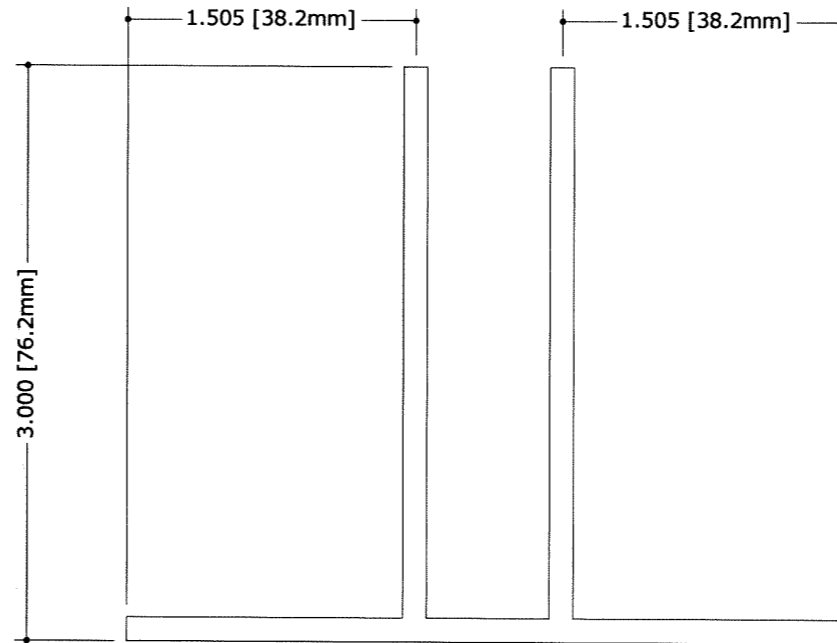
COPYRIGHT ENGINEERING EXPRESS®
15-2573
SCALE: NTS UNLESS NOTED



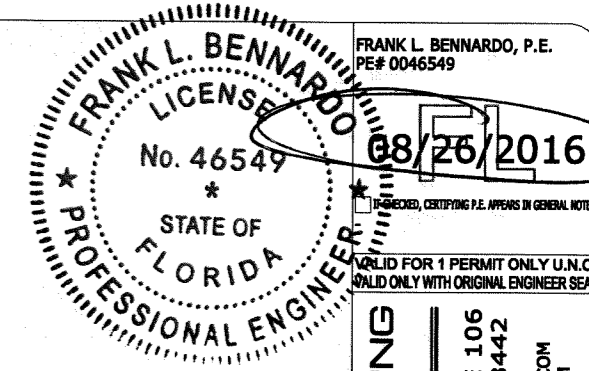
② P027569



⑧ "T" CLIP (TOP VIEW)



⑧ "T" CLIP (FRONT VIEW)

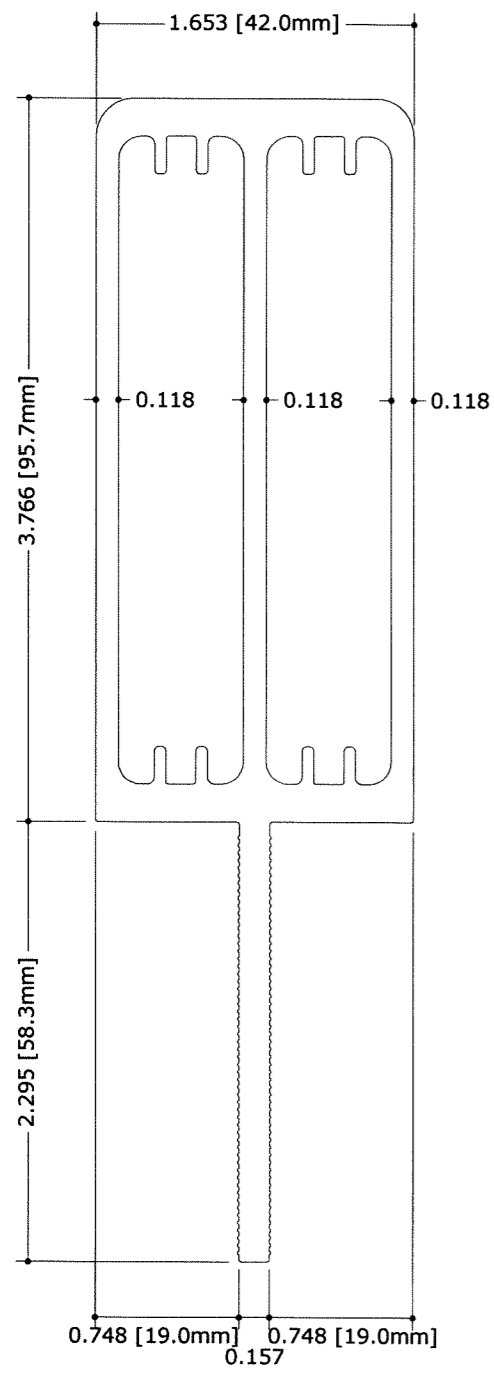


ENGINEERING EXPRESS®
 CORPORATE OFFICE:
 160 SW 12th AVE, SUITE 106
 DEERFIELD BEACH, FL 33442
 P: (954) 354-0660 F: (954) 354-0443
 E: HELLO@ENGINEERINGEXPRESS.COM
 ENGINEERINGEXPRESS.COM
 CERT OF AUTH #9885

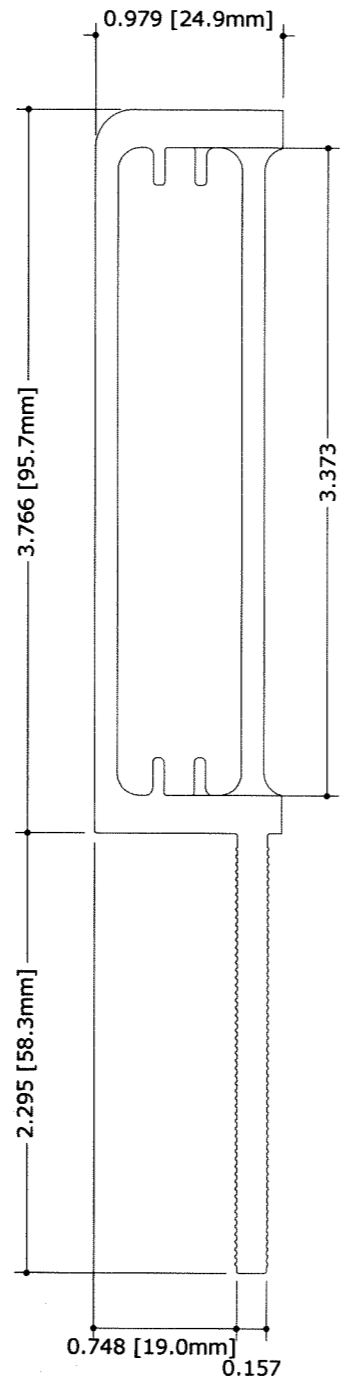
LA FINESTRA, LC
 2790 NW 104TH COURT
 DORAL, FL
 (305) 599-8093
 PREGLAZED WINDOW WALL
 FLORIDA PRODUCT APPROVAL
 FL18507.1-R2

REMARKS	DRWN	CHKD	DATE
INIT ISSUE	SSQ	FLB	08/31/15
REV1	SSQ	FLB	12/18/15
REV2	JEM	FLB	08/28/16

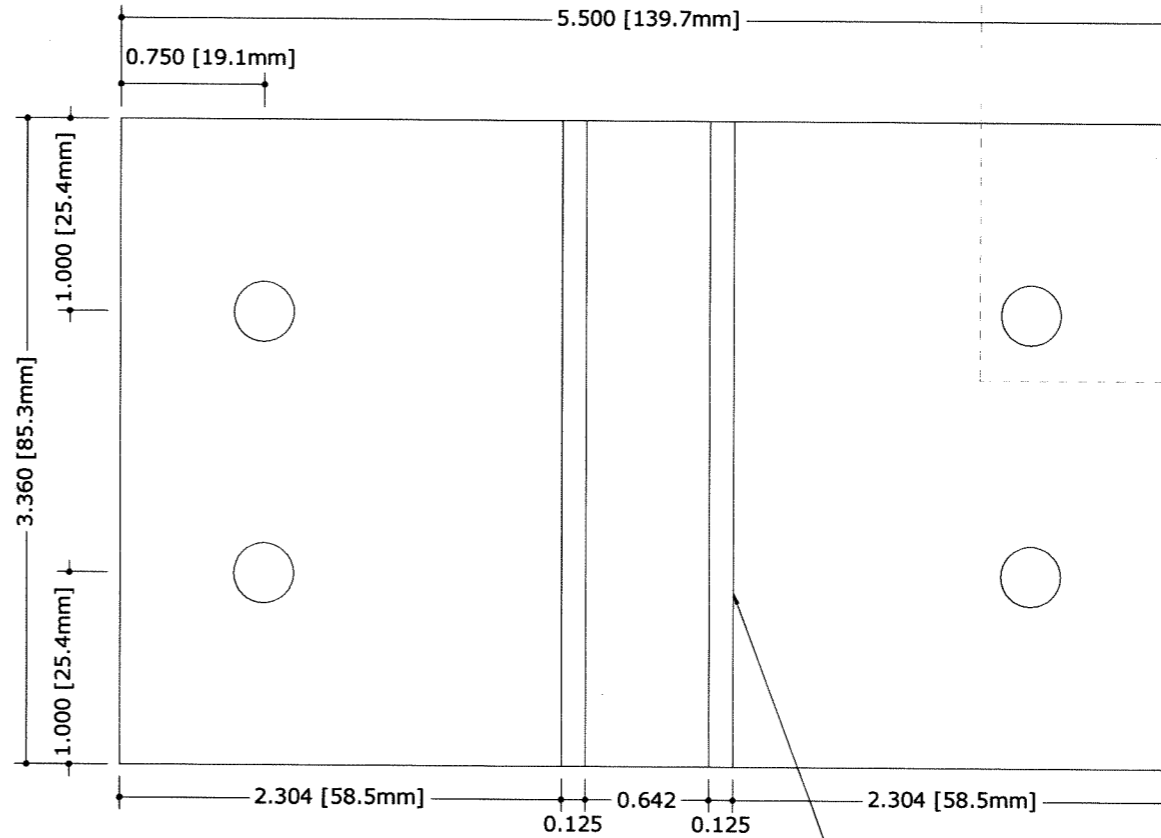
THIS DOCUMENT IS THE PROPERTY OF ENGINEERING EXPRESS AND SHALL NOT BE REPRODUCED IN WHOLE OR PART WITHOUT WRITTEN CONSENT OF ENGINEERING EXPRESS. ALTERATIONS, ADDITIONS, OR OTHER MARKINGS TO THIS DOCUMENT ARE NOT PERMITTED AND INVALIDATE OUR CERTIFICATION.



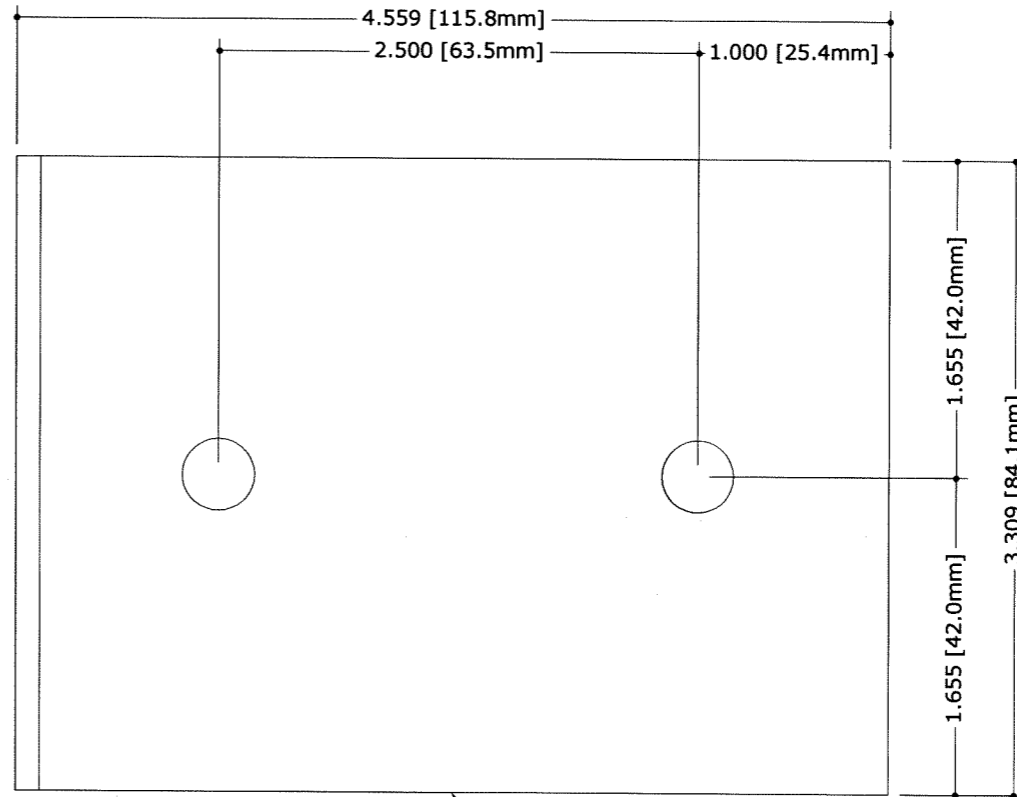
③ P027570



④ P027570 MODIFIED

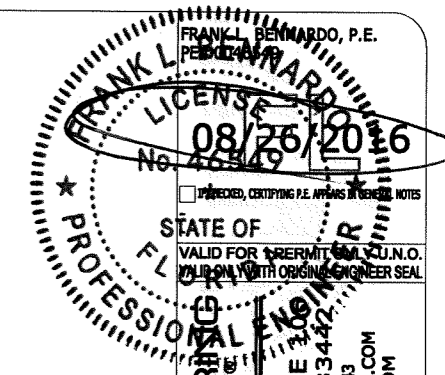


⑨ 0.125" THICK ALUMINUM CLIP



4 1/2"x 3"x 3.3" ALUMINUM ANGLE (6063-T6) 1/8" THICK.

⑪ "ANGLE" CLIP (TOP VIEW)



FRANK L. BERNARDO, P.E.
 LICENSE No. 46349
 STATE OF FLORIDA
 VALID FOR PERMITTING ONLY
 VALID ONLY WITH ORIGINAL SEAL
 PROFESSIONAL ENGINEERING EXPRESS
 CORPORATE OFFICE:
 160 SW 12th AVE, SUITE 306
 DEERFIELD BEACH, FL 33442
 P: (954) 354-0660 F: (954) 354-0443
 E: HELLO@ENGINEERINGEXPRESS.COM
 CERT OF AUTH #9885

LA FINESTRA, LC
 2790 NW 104TH COURT
 DORAL, FL
 (305) 599-8093
 PREGLAZED WINDOW WALL
 FLORIDA PRODUCT APPROVAL
 FL18507.1-R2

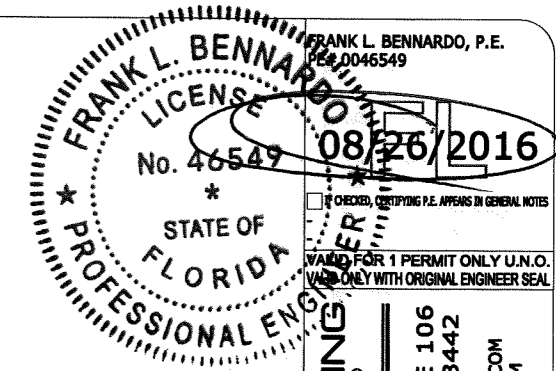
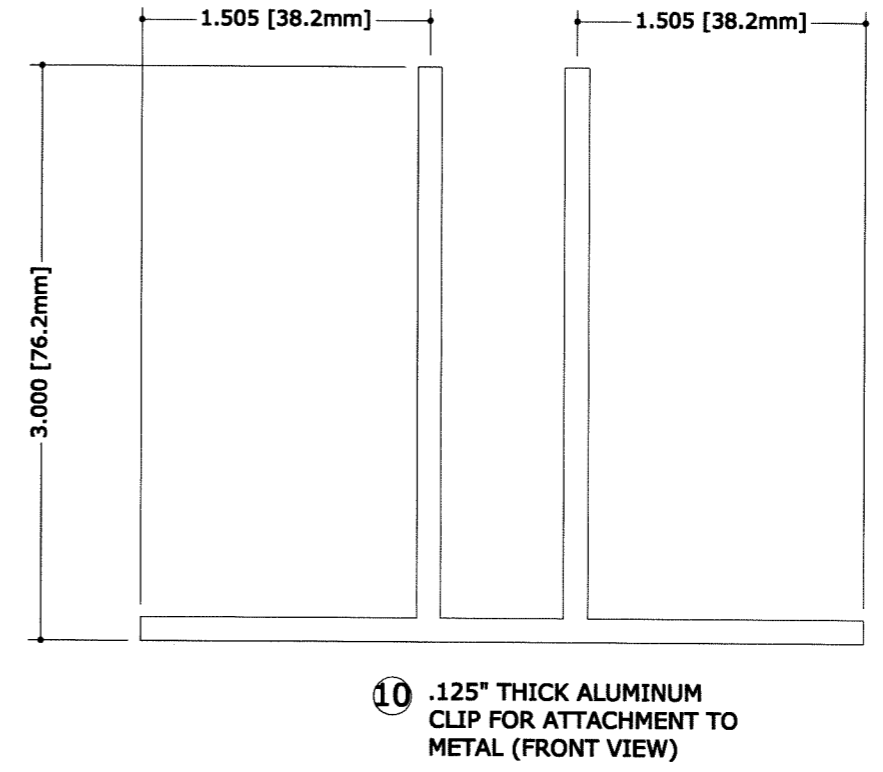
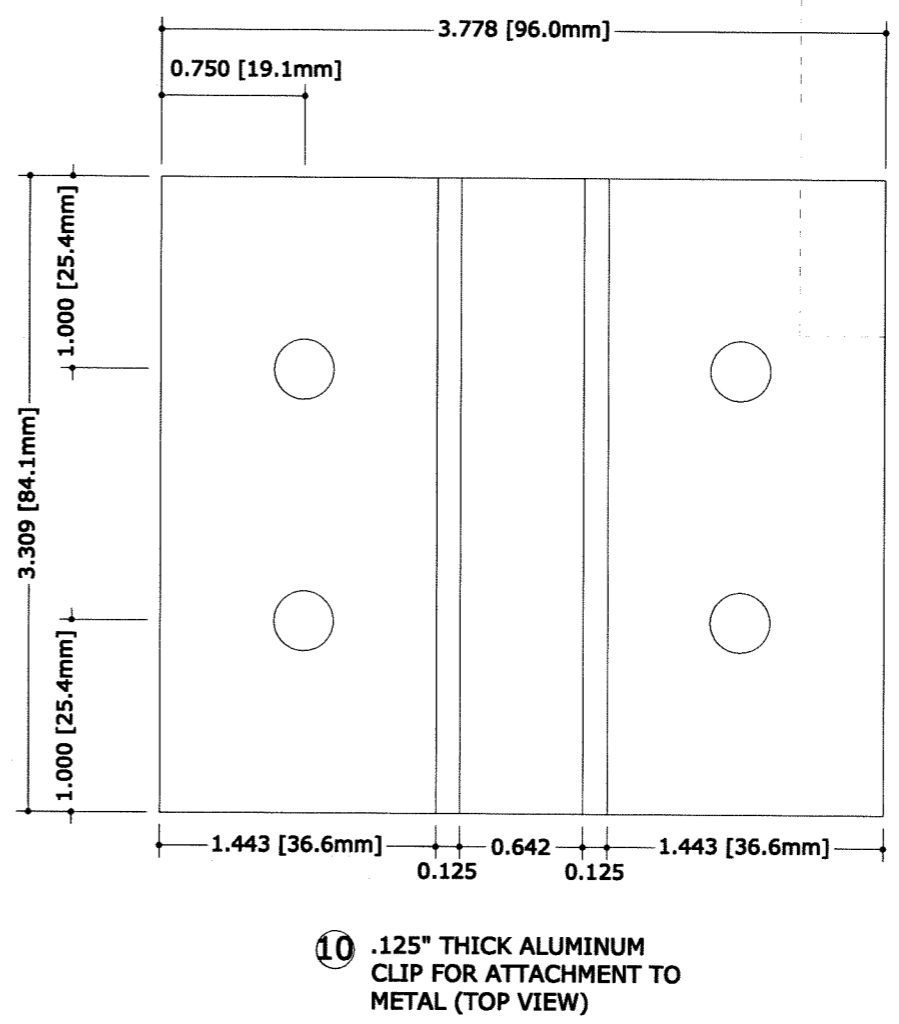
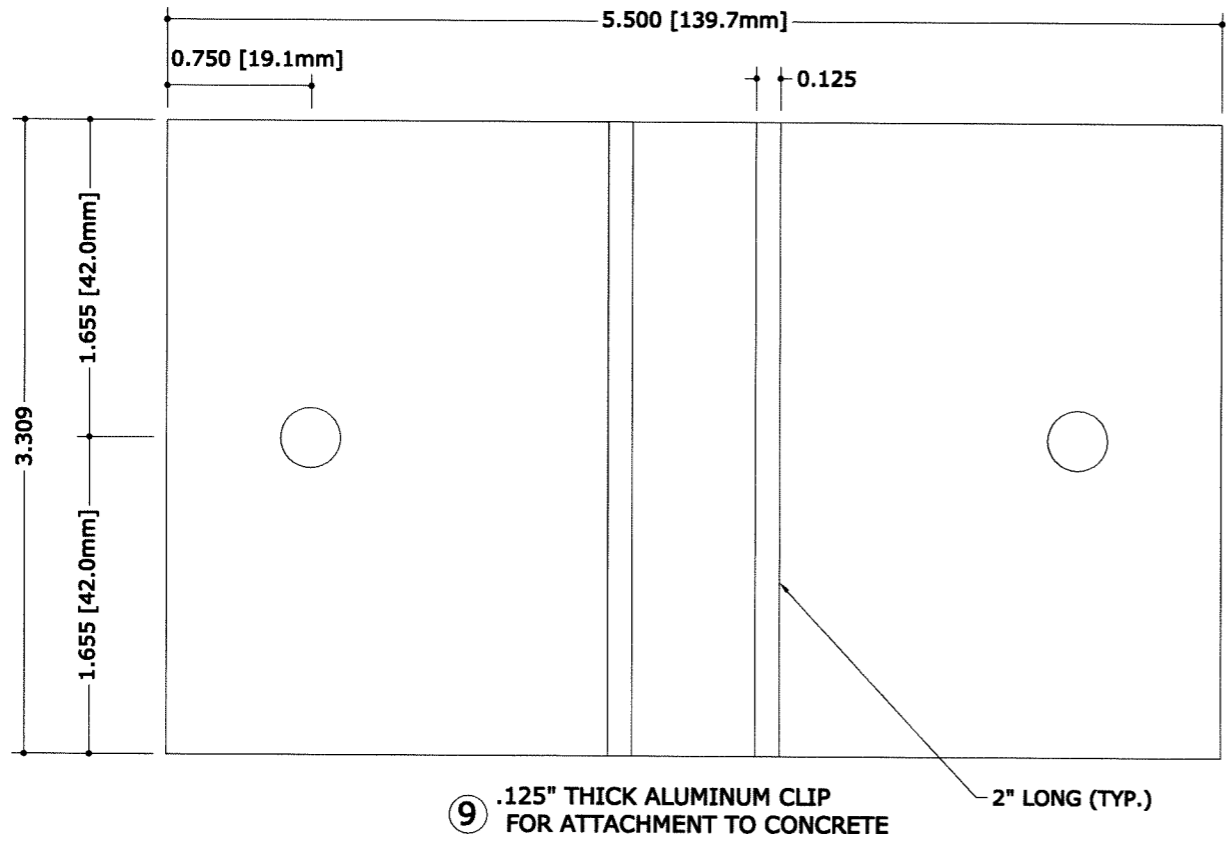
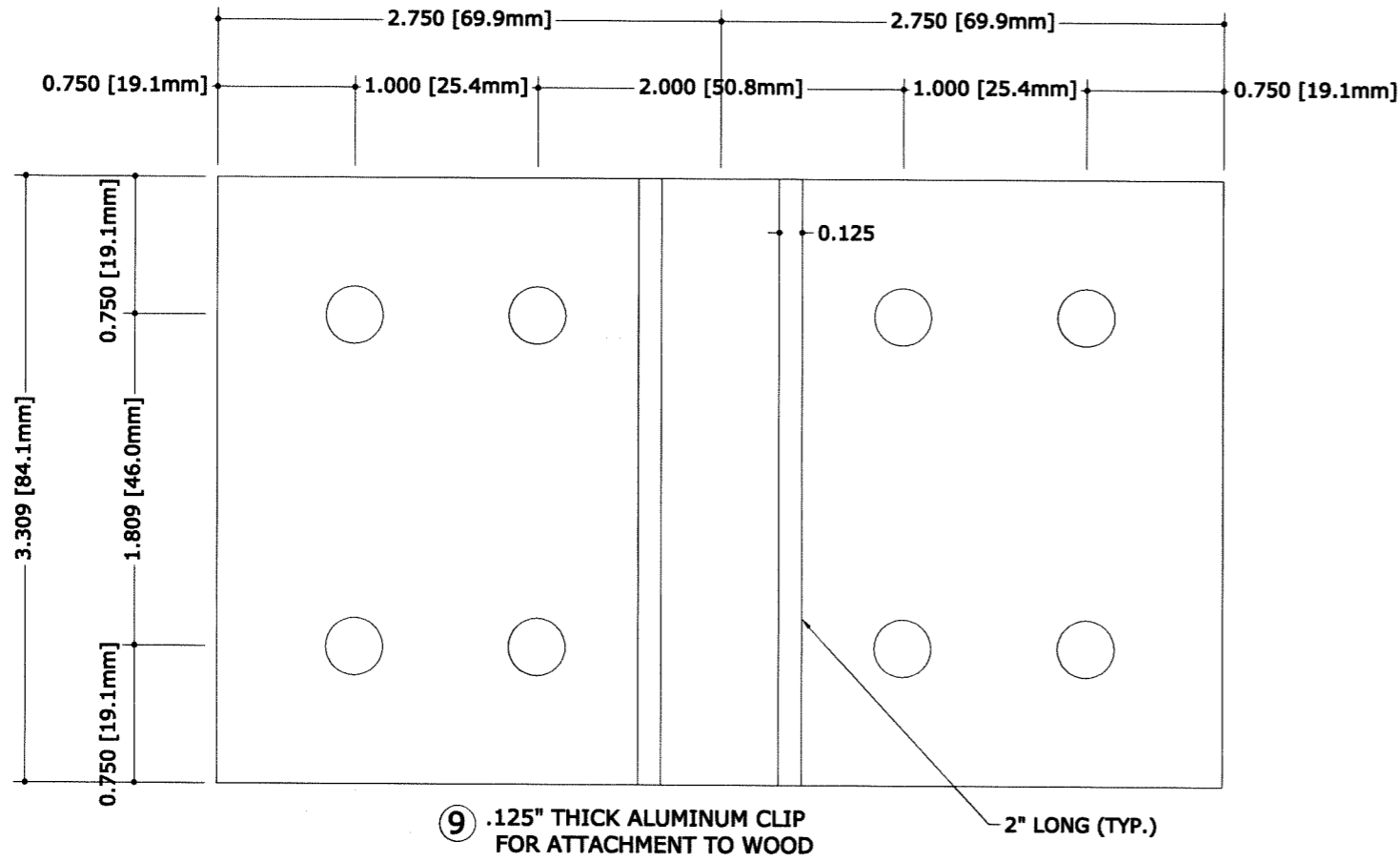
REMARKS	DRWN	CHKD	DATE
INIT ISSUE	SSQ	FLB	08/31/15
REV1	SSQ	FLB	12/18/15
REV2	JEM	FLB	08/28/16

THIS DOCUMENT IS THE PROPERTY OF ENGINEERING EXPRESS AND SHALL NOT BE REPRODUCED OR PUBLISHED WITHOUT WRITTEN CONSENT OF ENGINEERING EXPRESS. ANY ALTERATIONS, ADDITIONS OR OTHER MARKINGS TO THIS DOCUMENT ARE NOT PERMITTED AND INVALIDATE OUR CERTIFICATION.

C:\Users\joem\appdata\local\temp\AcPublish_406415-2573\Cad for FL approval.dwg

joem

08/26/2016 - 8:47pm



ENGINEERING EXPRESS
 CORPORATE OFFICE:
 160 SW 12th AVE, SUITE 106
 DEERFIELD BEACH, FL 33442
 P: (954) 354-0660 F: (954) 354-0443
 E: HELLO@ENGINEERINGEXPRESS.COM
 ENGINEERINGEXPRESS.COM
 CERT OF AUTH #9885

LA FINESTRA, LC
 2790 NW 104TH COURT
 DORAL, FL
 (305) 599-8093
 PREGLAZED WINDOW WALL
 FLORIDA PRODUCT APPROVAL
 FL18507.1-R2

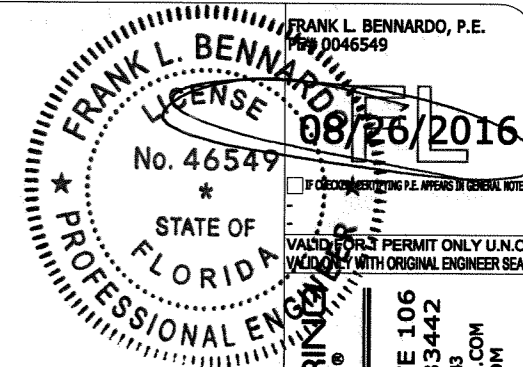
REMARKS	DRWN	CHKD	DATE
INIT ISSUE	SSQ	FLB	08/31/15
REV1	SSQ	FLB	12/18/15
REV2	JEM	FLB	08/28/16

THIS DOCUMENT IS THE PROPERTY OF ENGINEERING EXPRESS AND SHALL NOT BE REPRODUCED IN WHOLE OR IN PART WITHOUT WRITTEN CONSENT OF ENGINEERING EXPRESS. ALTERATIONS, ADDITIONS, OR OTHER MARKINGS TO THIS DOCUMENT ARE NOT PERMITTED AND INVALIDATE OUR CERTIFICATION.

COPYRIGHT ENGINEERING EXPRESS®
15-2573
 SCALE: NTS UNLESS NOTED
 32 of 34

BILL OF MATERIALS

ITEM #	PART #	ITEM	MATERIAL
1	P027645	0.063" SILL/JAMB/HEADER EXTRUSION	ALUMINUM (6063-T6)
2	P027569	INTERMEDIATE VERTICAL CUSTOM TESTED MULLION (SMALL)	ALUMINUM (6063-T6)
3	P027570	INTERMEDIATE VERTICAL CUSTOM TESTED MULLION (LARGE)	ALUMINUM (6063-T6)
4	P027570 (MODIF.)	MODIFIED INTERMEDIATE VERTICAL CUSTOM TESTED MULLION (LARGE)	ALUMINUM (6063-T6)
5	P027642	GLASS STOP FOR 1" GLASS	ALUMINUM (6063-T6)
6	P027643	GLASS STOP FOR 9/16" GLASS	ALUMINUM (6063-T6)
7	P027644	0.050" SNAP COVER	ALUMINUM (6063-T6)
8	P027569	"T" CLIP FOR SMALL MULLION (P027569)	ALUMINUM (6063-T6)
9	P027570	"T" CLIP FOR LARGE MULLION (P027570)	ALUMINUM (6063-T6)
10	N/A	"T" CLIP FOR LARGE MULLION	ALUMINUM (6063-T6)
11	N/A	"ANGLE" CLIP FOR LARGE MULLION 4 1/2"x 3"x 3.3"x 1/8"	ALUMINUM (6063-T6)
12	-	GLAZING WEDGE GASKET	RUBBER
13	-	#10 PHILLIPS HS SMS SCREWS AT EACH FRAME CORNER	SAE GR 2 MIN
14	0378	CORNER KEY BY MONTICELLI	SAE GR 2 MIN
15	P027646	0.059" SILL/JAMB/HEADER EXTENSION EXTRUSION	ALUMINUM (6063-T6)
16		3.3"x 1/8" STEEL REINFORCEMENT	STEEL (A36)
17	4293	GLASS STOP FOR 1 5/16" GLASS	ALUMINUM (6063-T6)
18	7013	SILL/JAMB/HEADER EXTRUSION	ALUMINUM (6063-T6)
19	N/A	3/4" ALUM. TUBE	ALUMINUM (6063-T6)



ENGINEERING EXPRESS®
 CORPORATE OFFICE:
 160 SW 12th AVE, SUITE 106
 DEERFIELD BEACH, FL 33442
 P: (954) 354-0660 F: (954) 354-0443
 E: HELLO@ENGINEERINGEXPRESS.COM
 CERT OF AUTH #9885

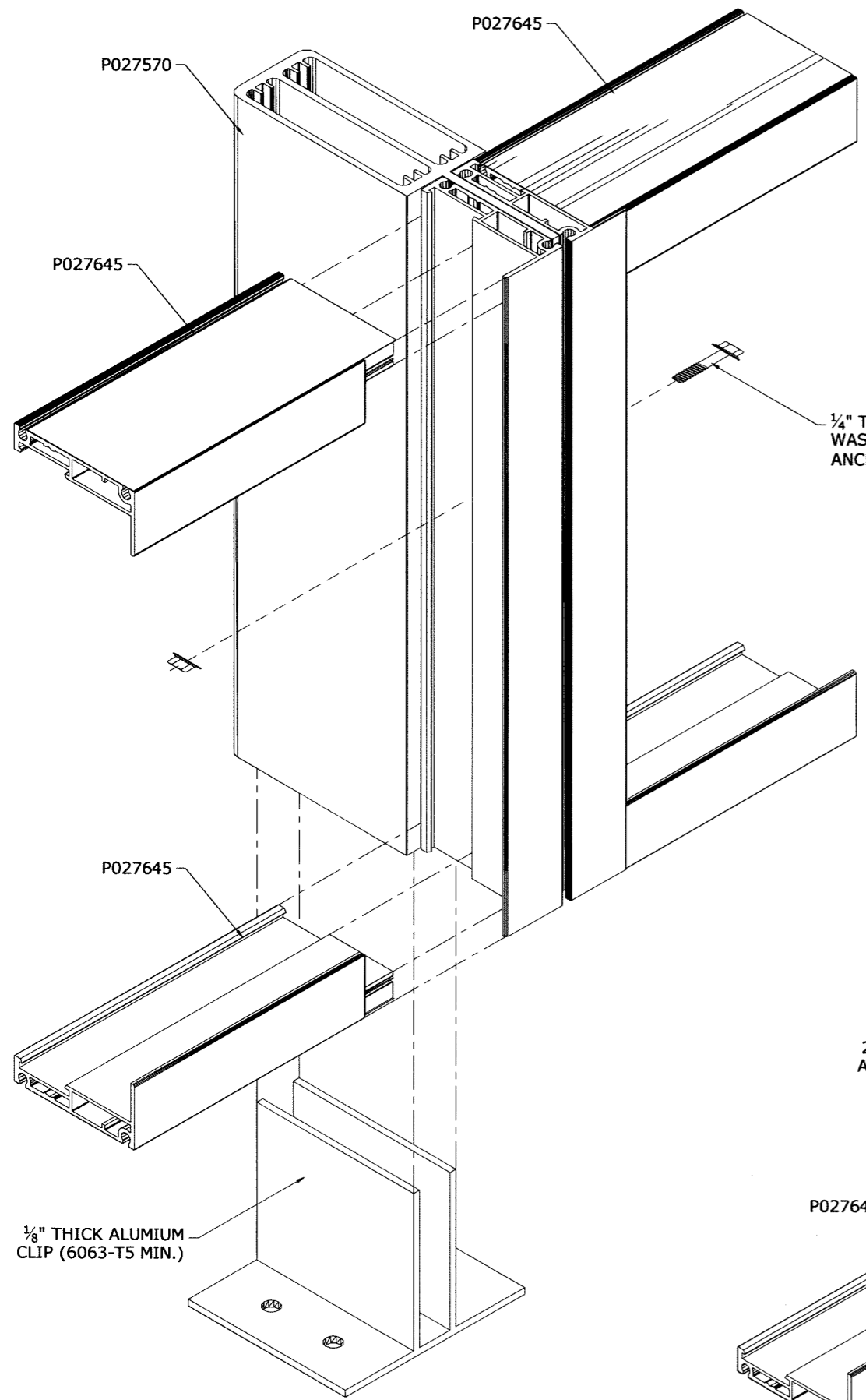
LA FINESTRA, LC
 2790 NW 104TH COURT
 DORAL, FL
 (305) 599-8093
 PREGLAZED WINDOW WALL
 FLORIDA PRODUCT APPROVAL
 FL18507.1-R2

REMARKS	DRWN	CHKD	DATE
INIT ISSUE	SSQ	FLB	08/31/15
REV1	SSQ	FLB	12/18/15
REV2	JEM	FLB	08/26/16

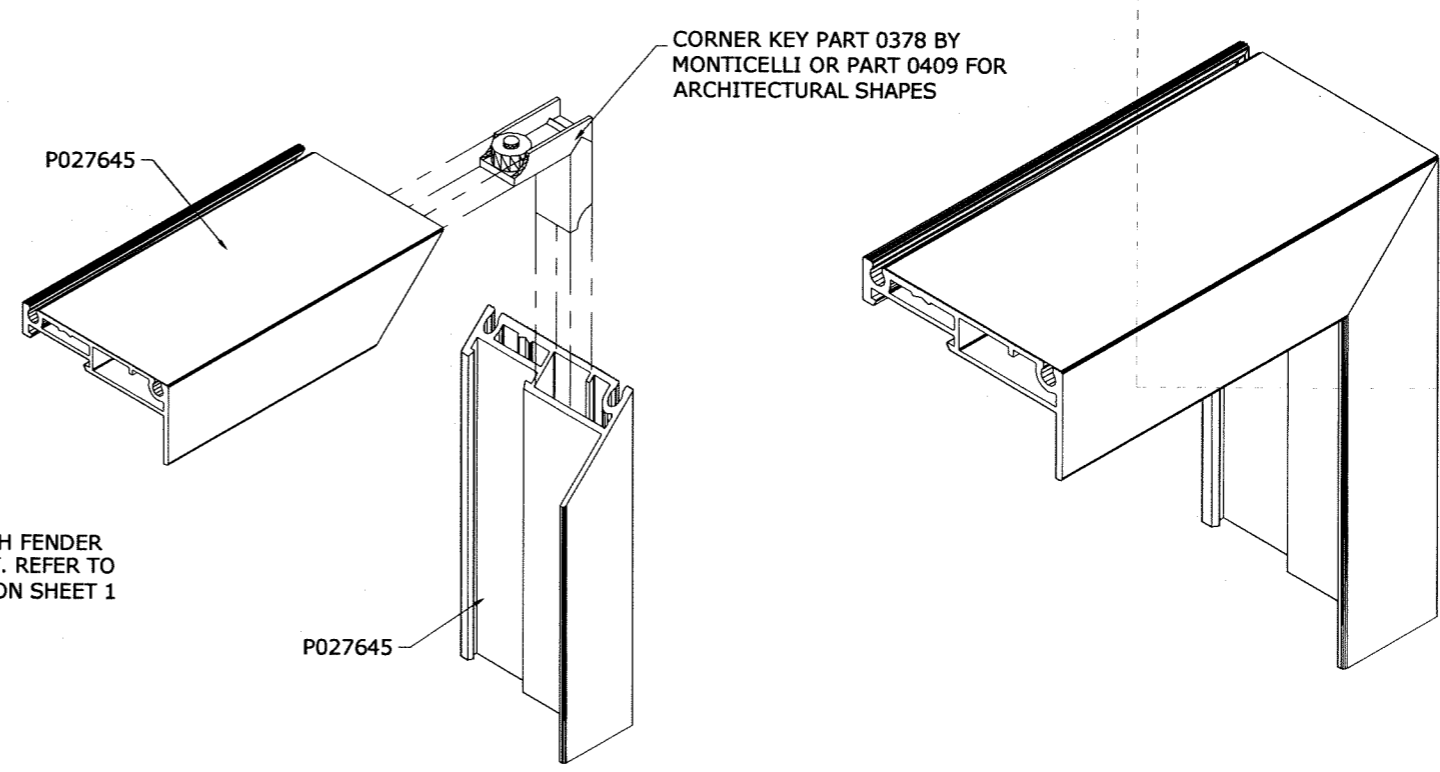
THIS DOCUMENT IS THE PROPERTY OF ENGINEERING EXPRESS AND SHALL NOT BE REPRODUCED IN WHOLE OR PART WITHOUT WRITTEN CONSENT OF ENGINEERING EXPRESS. ALTERATIONS, ADDITIONS, OR OTHER MARKINGS TO THIS DOCUMENT ARE NOT PERMITTED AND INVALIDATE OUR CERTIFICATION.

COPYRIGHT ENGINEERING EXPRESS®
15-2573
 SCALE: NTS UNLESS NOTED
 33 of 34

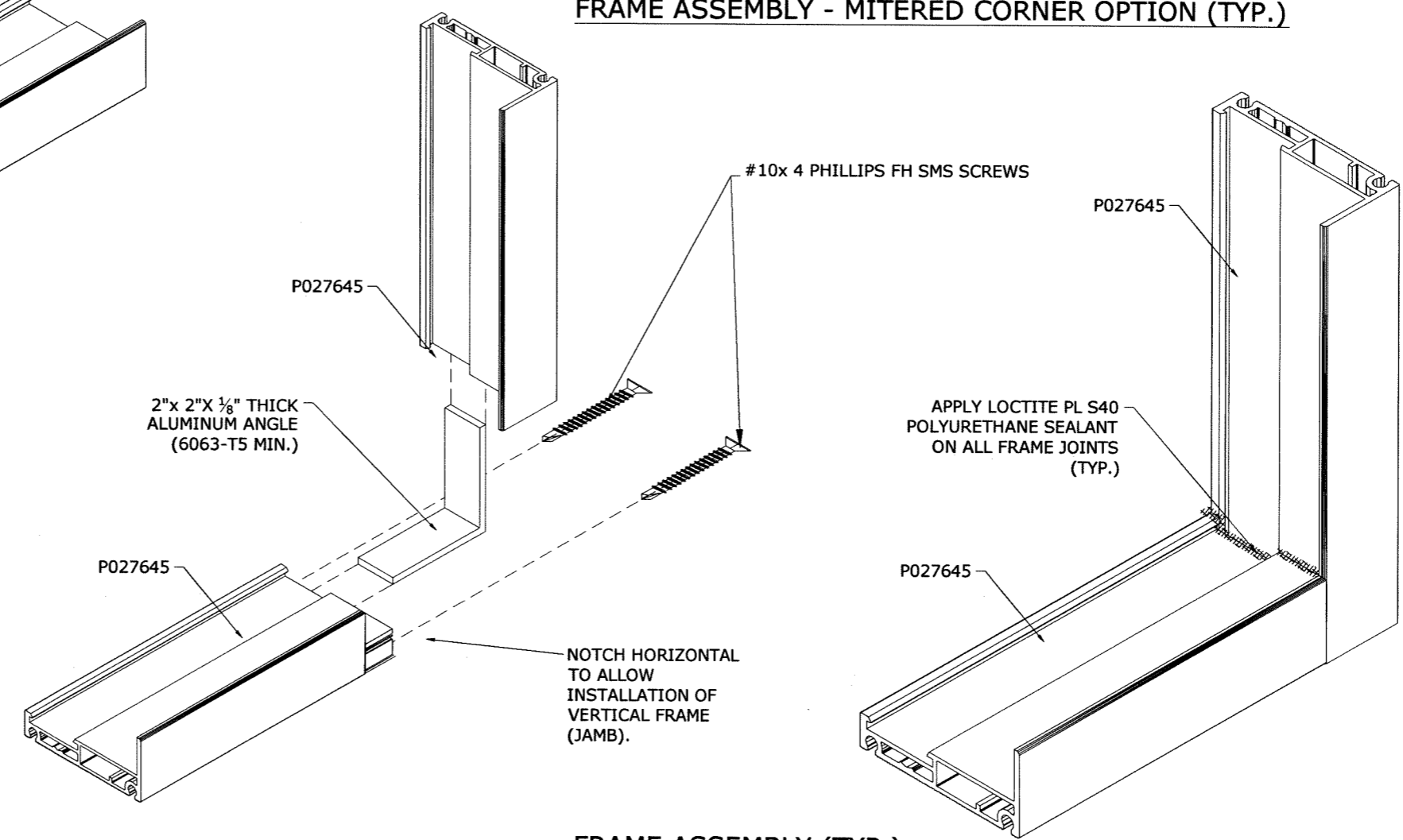
08/26/2016 - 8:55pm joem V:\Projects\15-2573 FL Prod Approval Modern SFW\PRODUCT APPROVAL DRAWINGS\03 Third Revision -Storefront Revisions For FL Product 15-2573_ Cad for FL approval.dwg



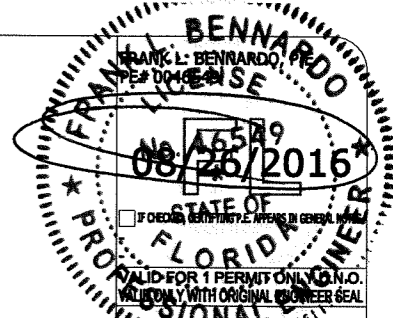
FRAME ASSEMBLY AT VERTICAL INTERMEDIATE CONDITION



FRAME ASSEMBLY - MITERED CORNER OPTION (TYP.)



FRAME ASSEMBLY (TYP.)



ENGINEERING EXPRESS®
 CORPORATE OFFICE:
 160 SW 12th AVE, SUITE 1065
 DEERFIELD BEACH, FL 33442
 P: (954) 354-0660 F: (954) 354-0443
 E: HELLO@ENGINEERINGEXPRESS.COM
 ENGINEERINGEXPRESS.COM
 CERT OF AUTH #9885

LA FINESTRA, LC
 2790 NW 104TH COURT
 DORAL, FL
 (305) 599-8093
 PREGLAZED WINDOW WALL
 FLORIDA PRODUCT APPROVAL
 FL18507.1-R2

DRWN	CHKD	DATE
SSQ	FLB	08/31/16
SSQ	FLB	12/18/15
JEM	FLB	08/28/16

REMARKS
 INIT ISSUE
 REV1
 REV2

THIS DOCUMENT IS THE PROPERTY OF ENGINEERING EXPRESS AND SHALL NOT BE REPRODUCED IN WHOLE OR PART WITHOUT WRITTEN CONSENT OF ENGINEERING EXPRESS. ALTERATIONS, ADDITIONS, OR OTHER MARKINGS TO THIS DOCUMENT ARE NOT PERMITTED AND INVALIDATE OUR CERTIFICATION.

COPYRIGHT ENGINEERING EXPRESS®

15-2573
 SCALE: NTS UNLESS NOTED